

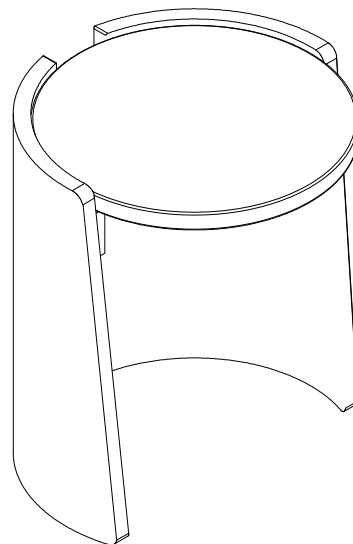
FLEXSTEEL®

W1016-01

Round End Table

IMPORTANT

Please read instructions carefully before using this product.



Part List

Adjust the levelers on the legs until the furniture is leveled. (See Figure 1.)

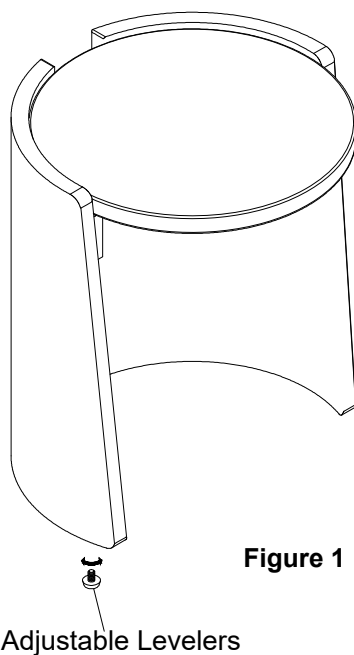


Figure 1

Adjustable Levelers

CARE INSTRUCTIONS

- To avoid scratches, do not place sharp or jagged objects directly on the table top.
- Do not place hot items directly on the tabletop.
- Use placemats or trivets under hot items and coasters under beverages to prevent marks and stains.
- Avoid the use of harsh chemicals or abrasive cleaning materials.
- Wipe the table clean with a soft, dry cloth after each use.
- Wipe up spills quickly with a soft, dry cloth.

Flexsteel Industries, Inc.

For Parts or Customer Service call toll-free: 1-888-415-3979

Monday-Friday, 8:00-5:00pm Central Time

Email: customersolutions@flexsteel.com

www.flexsteel.com