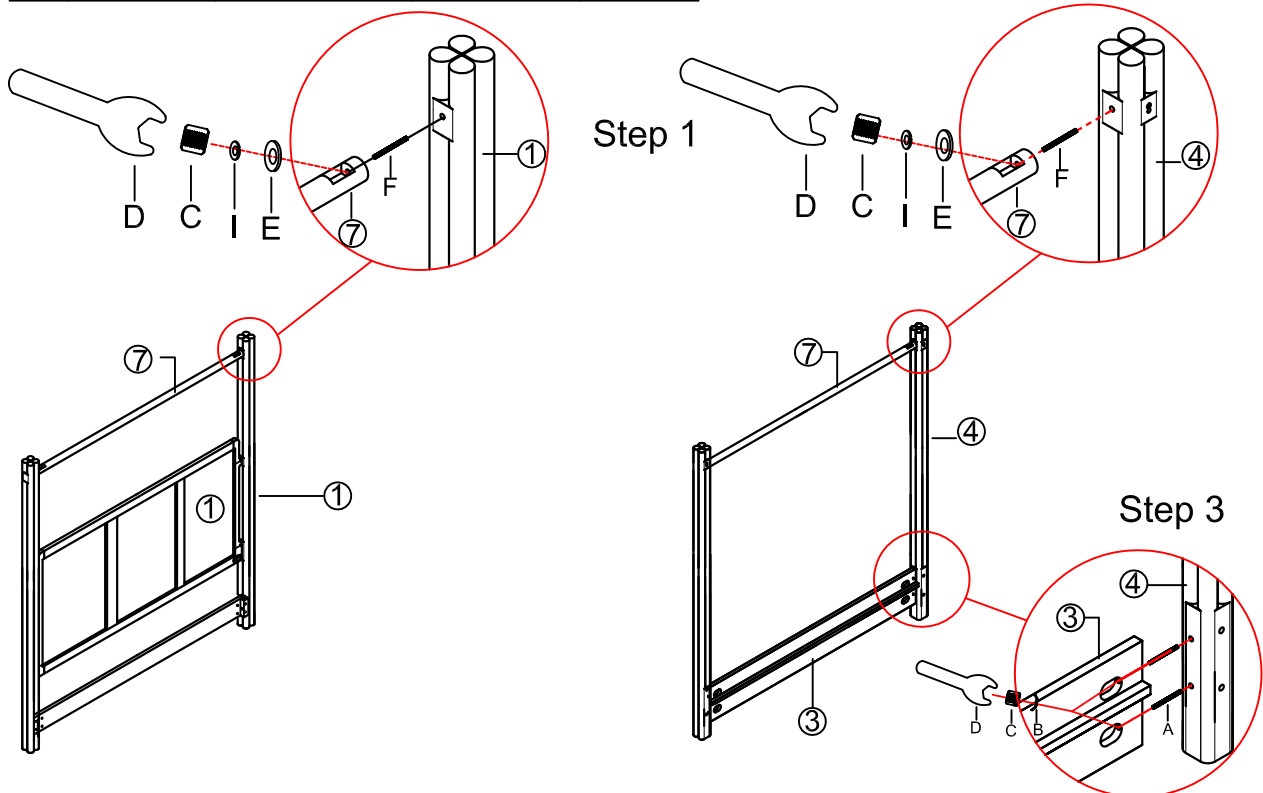


ITEM: 6950-90467-80 6/0-6/6 Pole Rattan Uph Poster Headboard  
 6950-90467-99 6/0-6/6 Pole Rattan Uph Poster Headboard  
 6950-90468-80 6/0-6/6 Pole Rattan Poster Footboard  
 6950-90468-99 6/0-6/6 Pole Rattan Poster Footboard  
 6950-90463-80 6/0 Pole Rattan Rails and Canopy  
 6950-90463-99 6/0 Pole Rattan Rails and Canopy

Thank you for purchasing this quality product. Be sure to unpack carefully looking for small parts which may have come loose during shipment.

Read all instruction and study the drawing carefully before starting the assembly process.

HARDWARE PACK					Part List			
NO.	DRAWING	DESCRIPTION	SIZE	Q'TY	NO.	DRAWING	DESCRIPTION	Q'TY
A		Threaded Rod	Ø3/8"*100mm	12PCS	1		Headboard	1PC
B		Curved Washer	Ø3/8"	12PCS	2		Rail	2PCS
C		Nut	Ø3/8"	20PCS	3		Footboard	1PC
D		Open Wrench	Ø3/8"	1PC	4		Footboard Post	2PCS
E		Flat Washer	Ø3/8"	8PCS	5		Support Leg	5PCS
F		Threaded Rod	Ø3/8"*90mm	8PCS	6		Slat	5PCS
G		Screw	8*32mm	28PCS	7		Short Canopy Rail	2PCS
H		Wood Cap		8PCS	8		Long Canopy Rail	2PCS
I		Lock Washer	Ø3/8"	8PCS				



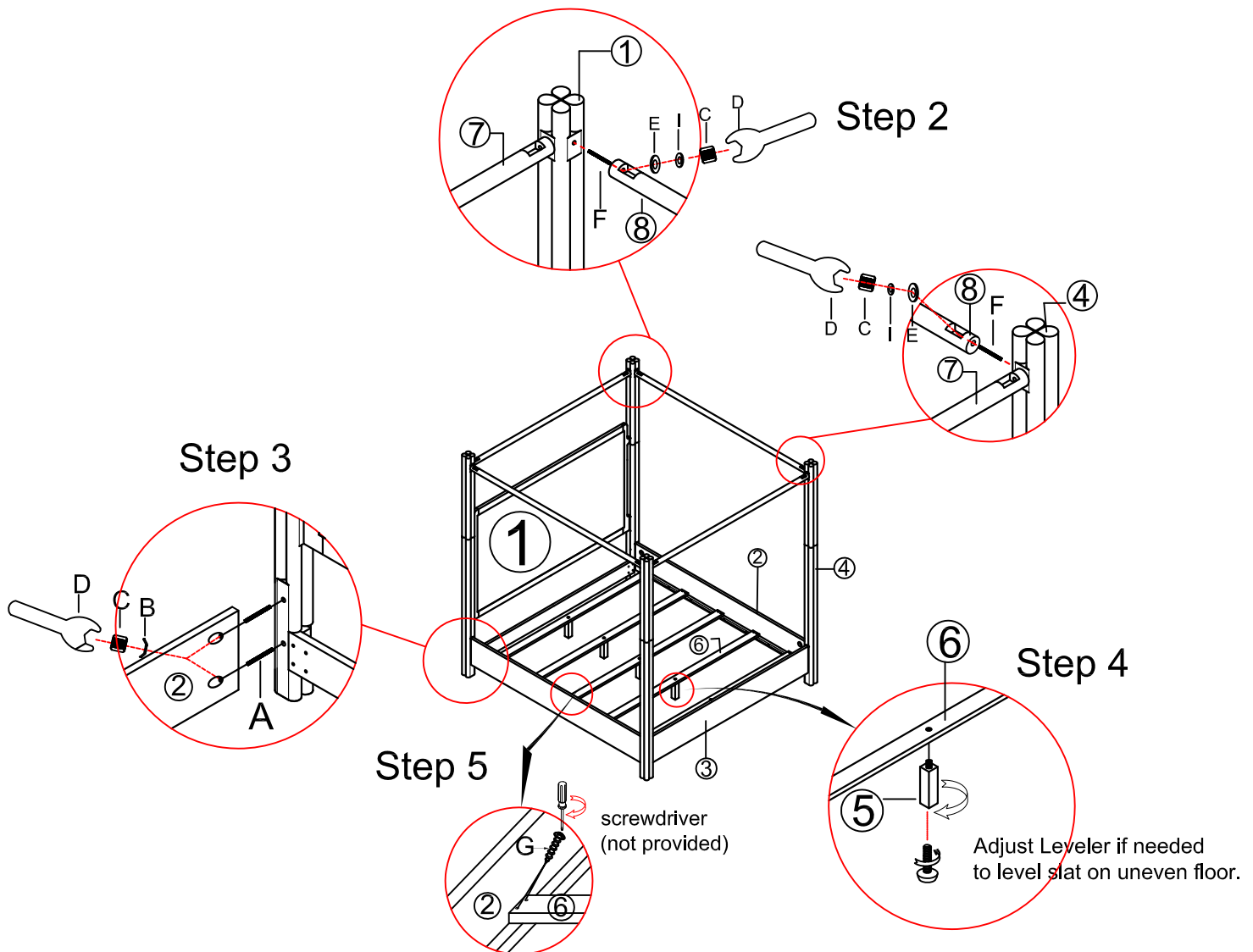
Step 1: Attach Short Canopy Rails (7) to Headboard post (1) and Footboard post (4) by using Threaded Rods (F), Flat Washers (E), Lock Washers (I) and Nuts (C), tighten them with Open Wrench (D) .

# ASSEMBLY INSTRUCTION

ITEM: 6950-90467-80 6/0-6/6 Pole Rattan Uph Poster Headboard  
6950-90467-99 6/0-6/6 Pole Rattan Uph Poster Headboard  
6950-90468-80 6/0-6/6 Pole Rattan Poster Footboard  
6950-90468-99 6/0-6/6 Pole Rattan Poster Footboard  
6950-90463-80 6/0 Pole Rattan Rails and Canopy  
6950-90463-99 6/0 Pole Rattan Rails and Canopy

Thank you for purchasing this quality product. Be sure to unpack carefully looking for small parts which may have come loose during shipment.

Read all instruction and study the drawing carefully before starting the assembly process.



**Step 2:** Attach Long Canopy Rails (8) to Headboard post (1) and Footboard post (4) by using Threaded Rods (F), Flat Washers (E), Lock Washers (I) and Nuts (C), tighten them with Open Wrench (D) .

**Step 3:** Attach Rails (2) to Headboard (1) and Footboard (3) by using Threaded Rods (A), Curved Washers (B) and Nuts (C), tighten them with Open Wrench (D) .

**Step 4:** Attach Support Legs (5) to Slats (6).

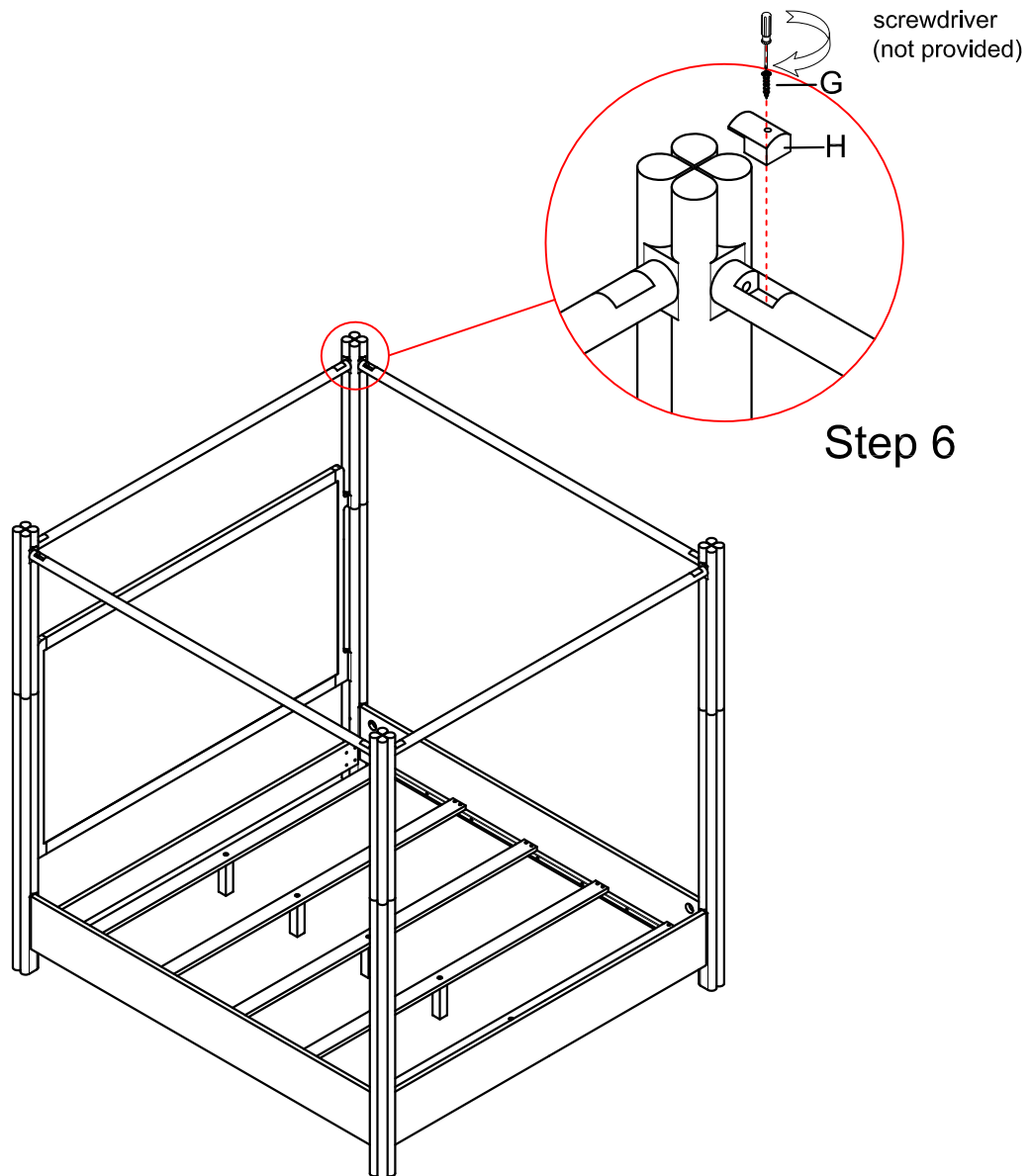
**Step 5:** Attach Slats (6) to the Rails (2) and tighten them by using Phillips head screwdriver.

# ASSEMBLY INSTRUCTION

ITEM: 6950-90467-80 6/0-6/6 Pole Rattan Uph Poster Headboard  
6950-90467-99 6/0-6/6 Pole Rattan Uph Poster Headboard  
6950-90468-80 6/0-6/6 Pole Rattan Poster Footboard  
6950-90468-99 6/0-6/6 Pole Rattan Poster Footboard  
6950-90463-80 6/0 Pole Rattan Rails and Canopy  
6950-90463-99 6/0 Pole Rattan Rails and Canopy

Thank you for purchasing this quality product. Be sure to unpack carefully looking for small parts which may have come loose during shipment.

Read all instruction and study the drawing carefully before starting the assembly process.



Step 6: Attach Wood Caps (H) to Canopy Rails (7&8) by using Screws (G), tighten them by using Phillips head screwdriver.