

SINCE 1839

**BRINLY**

SINCE 1839

**BRINLY**

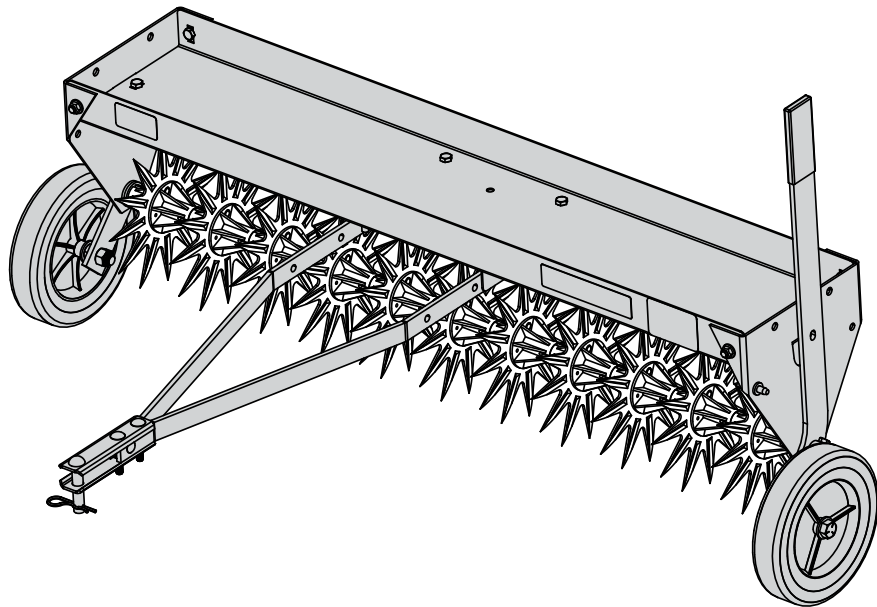
# OWNER'S MANUAL

## 40" LAWN AERATOR

MODEL:

**SAT2-40BH-P**

- Assembly
- Installation
- Operation
- Repair Parts



Call Customer Service, Toll-Free: 877-728-8224

Visit us on the web!  
[www.brinly.com](http://www.brinly.com)

Important: This manual contains information for the safety of persons and property. Read it carefully before assembly and operation of the equipment!

# INTRODUCTION AND SAFETY

CONGRATULATIONS on your new Brinly-Hardy Aerator! This accessory has been designed, engineered and manufactured to give you the best possible dependability and performance.

Should you experience any problem you cannot easily remedy, please do not hesitate to contact our knowledgeable customer service department toll-free at 1-877-728-8224. We have competent, well trained technicians to help you with the assembly and use of your product.



## CUSTOMER RESPONSIBILITIES

- Please read & retain this manual. The instructions will enable to assemble and maintain your product properly.
- Please carefully read and observe the SAFETY SECTION of this manual.
- Follow a regular schedule in maintaining and caring for your Brinly-Hardy product.

## TABLE OF CONTENTS

Safety . . . . . 2-4

Component View  
and Reference List . . . . . 5-6

Assembly . . . . . 7-13

### USE AND CARE

Operation . . . . . 14-15

Maintenance . . . . . 16

Storage and Service . . . . . 16-17

Warranty . . . . . 18

## RECORD PURCHASE INFORMATION

Record your purchase information in the spaces provided below:

Date of Purchase \_\_\_\_\_

Company Name \_\_\_\_\_

Company Phone \_\_\_\_\_

Serial Number \_\_\_\_\_

## SAFETY



This symbol will help to point out important safety precautions throughout this manual. It means: **ATTENTION! BECOME ALERT! YOUR SAFETY IS INVOLVED.**

B-7063 (Not to scale)



The machine safety labels shown in this section are placed in important areas on your machine to draw attention to potential safety hazards.

On your machine safety labels, the words **DANGER**, **WARNING**, and **CAUTION** are used with this safety-alert symbol. **DANGER** identifies the most serious hazards.

The operator's manual also explains any potential safety hazards whenever necessary in special safety messages that are identified with the word, **CAUTION**, and the safety-alert symbol.

# SAFETY

## GENERAL NOTES (OPERATION)

**CAUTION**  
RISK OF SEVERE INJURY!

**TO PREVENT  
PERSONAL  
INJURY -  
REMOVE  
WEIGHT FROM  
TRAY BEFORE  
DISCONNECTING  
AERATOR FROM  
TRACTOR.**

**PRECAUCIÓN**  
¡RIESGO DE LESIÓN SEVERA!

**PARA EVITAR  
LESIONES  
PERSONALES -  
RETIRE EL PESO  
DE LA BANDEJA  
ANTES DE  
DESCONECTAR  
EL AIREADOR  
DEL TRACTOR.**

**ATTENTION**  
RISQUE DE BLESSURE GRAVE !

**AFIN D'ÉVITER  
TOUTE  
BLESSURE  
PHYSIQUE,  
DÉLESTER LE  
PLATEAU AVANT  
DE DÉTACHER  
L'AÉRATEUR DU  
TRACTEUR.**

Caution should be taken when towing and/or using any attachment. This attachment combined with the weight distribution, turning radius, and speed of towing vehicle can result in severe injury or death to operator, damage to towing vehicle, and/or attachment if not used properly. Follow all towing safety precautions noted in the towing vehicle owner's manual, including the following precautions:

- Ensure the combined weight of the towing vehicle (tow vehicle weight + operator weight) is greater than the maximum towed weight of attachment (empty attachment weight + weight of load).
- Do not exceed maximum towing capacity of towing vehicle.
- Do not exceed the maximum drawbar pull rating of the towing vehicle. Drawbar pull is the horizontal force required to pull the attachment (including weight of load).
- Only tow this product in the vehicle's tow mode / speed setting or less than 5 mph. Do not exceed 5 mph.
- Towing speed should always be slow enough to maintain control. Travel slowly and use caution when traveling over rough terrain. Avoid holes, rocks and roots.
- Slow down before you turn and do not turn sharply.
- Use wide turning angles to ensure the attachment follows the path of the towing vehicle.
- Do not use attachment on steep slopes. A heavy load could cause loss of control or overturn attachment and towing vehicle. Additional weights may need to be added to your vehicle; check with towing vehicle manufacturer for recommendations.
- Reduce towed weight when operating on slopes.
- Keep all movement on slopes slow and gradual. Do not make sudden changes in speed, directions, or turning.
- If you start and stop suddenly on hills, you may lose steering control or the towing vehicle may tip. Do not start or stop suddenly when going uphill or downhill. Avoid uphill starts.
- Slow down and use extra care on hillsides. Turf conditions can affect vehicle stability. Use extreme caution while operating near drop-offs.
- Do not drive close to creeks, ditches and public highways.
- Watch out for traffic when crossing near roadways.
- Use care when loading or unloading the vehicle into a trailer or truck.
- The attachment can obstruct the view to the rear. Use extra care when operating in reverse.
- When reversing, carefully back-up straight to avoid jackknifing. Do not allow towing vehicle wheels to contact attachment draw bar. Damage could result.
- Stop on level ground, disengage drives, set the parking brake, and shut off engine before leaving the operator's position for any reason including emptying the attachment.
- Use this attachment for intended purpose only.
- This attachment is intended for use in lawn care & home applications. Do not tow behind a vehicle on a highway or in any high speed applications. Do not tow at speeds higher than the maximum recommend towing speed.
- Do not tow this product behind a motor vehicle such as a car or truck.
- Always wear substantial footwear. Do not wear loose fitting clothing that can get caught in moving parts.
- Keep your eyes and mind on your towing vehicle, attachment and area being covered. Do not let other interests distract you.
- Stay alert for holes and other hidden hazards in the terrain
- Keep the towing vehicle and attachment in good operating condition and keep safety devices in place.
- The towing vehicle and attachment should be stopped and inspected for damage after striking a foreign object. Any damage should be repaired before restarting and operating the equipment.

*Safety continues on page 4...*

# SAFETY

- Keep all parts in good condition and properly installed. Fix damaged parts immediately. Replace worn or broken parts. Replace all worn or damaged safety and instruction decals. Keep all nuts, bolts and screws tight.
- Do not modify the attachment or safety devices. Unauthorized modifications to the towing vehicle or attachment may impair its function, safety and void the warranty.

## TOWING VEHICLE AND TOWING SAFELY

- Know your towing vehicle controls and how to stop safely. **READ YOUR TOWING VEHICLE OWNER'S MANUAL** before operating.
- Check the towing vehicle brake action before you operate. Adjust or service brakes as necessary.
- Stopping distance increases with speed and weight of towed load. Travel slowly and allow extra time and distance to stop.
- Use only approved hitches. Tow this attachment only with a towing vehicle that has a hitch designed for towing. Do not connect this attachment except at the approved hitch point.
- Follow the tow vehicle manufacturer's recommendations for weight limits for towed equipment & towing on slopes. Use counterweights or wheel weights as described in the towing vehicle operator's manual.
- Do not shift to neutral and coast downhill.
- Do not allow children to operate the towing vehicle. Do not allow adults to operate the towing vehicle without proper instruction or without having read the owner's manual.

## PROTECT THOSE AROUND YOU

- Before you operate any feature of this attachment or towing vehicle, observe your surroundings and look for bystanders.
- Keep children, bystanders and pets at a safe distance away while operating this or any attachment.
- Use care when reversing. Before you back up, look carefully behind for bystanders.

## KEEP RIDERS OFF TOWED ATTACHMENT AND TOWING VEHICLE

- Do not carry passengers.
- Do not let anyone, especially children, ride in/on this attachment, the towing vehicle or hitch bracket. Riders are subject to injury such as being struck by foreign object and/or being thrown off during sudden starts, stops and turns. Riders may also obstruct the operator's view resulting in this attachment being operated in an unsafe manner.

Installation Questions?  
Missing Parts? Replacement Parts?

**DON'T GO BACK TO  
THE STORE!**

Please call our Customer Service  
Department, Toll Free: 877-728-8224  
or [customerservice@brinly.com](mailto:customerservice@brinly.com)



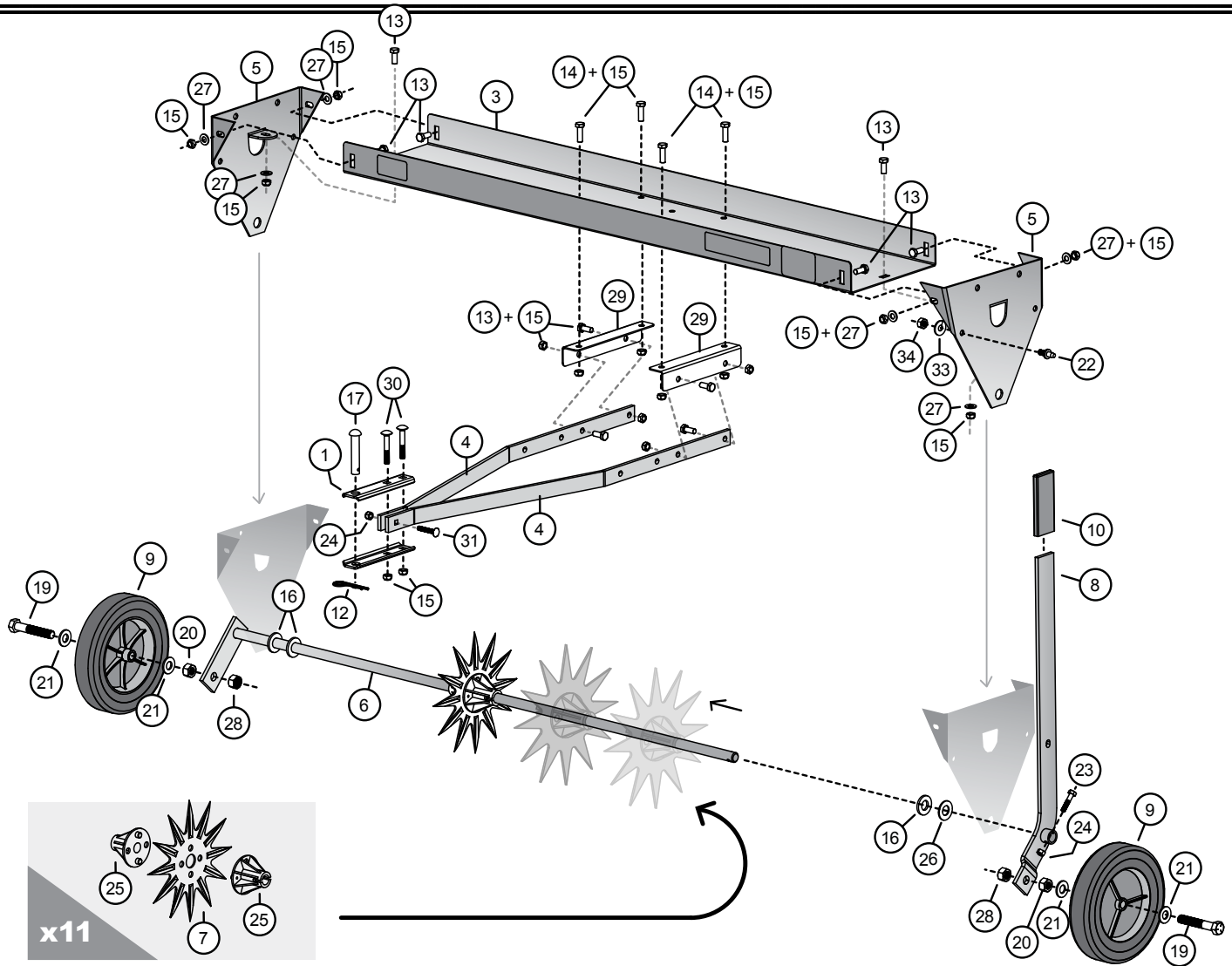
## TOOLS REQUIRED FOR ASSEMBLY:



- Flat Head Screwdriver (x1)
- 7/16" Wrenches (x2)
- 1/2" Wrench (x1)
- 3/4" Wrenches (x2)
- Set of Pliers
- Gloves

## NOTES

# PARTS REFERENCE



Ref #	Part #	Description	Qty	Ref #	Part #	Description	Qty
1	R-892-16	Drawbar Clevis	2	19	1M1648P	Bolt; Hex, 1/2" x 3"	2
3	1019414	Tray	1	20	30M1600P	Nut; Hex, 1/2"	2
4	1019212-16	Drawbar	2	21	1019753	Washer; Flat, 1/2"	4
5	1019244-16	End Panel	2	22	B-3307-S	Transport Lock Pin	1
6	1019283-16	Axle Assembly	1	23	2M0820P	Bolt; Hex, 1/4" x 1-1/4"	1
7	1018833	Tine	11	24	B-4785	Nut; Nylon Lock, 1/4-20"	2
8	1019262-16	Handle Assembly	1	25	1019589	Spacer / Bearing, Tube	22
9	R-891	Wheel	2	26	1019391	Washer; Flat, 5/8" (thin)	2
10	B-4867	Handle Grip	1	27	45M1111P	Washer; Flat, 5/16"	6
12	1019151	Hairpin Cotter	1	28	B-5096Y	Nut; Lock, 1/2"	2
13	2M1012P	Bolt; Hex Head, 5/16" x 3/4"	10	29	1018985-16	Drawbar Bracket	2
14	2M1016P	Bolt; Hex Head, 5/16" x 1"	4	30	10M1032P	Bolt; Carriage, 5/16" x 2"	2
15	B-4786	Nut; Lock, 5/16"	16	31	11M0824P	Bolt; Carriage, 1/4" x 1-1/2"	1
16	1019390	Washer; Flat, 5/8" (thick)	10	33	40M1000P	Washer; Lock, 5/16"	1
17	B-3861	Drawbar Pin	1	34	30M1000P	Nut; Hex, 5/16"	1

# HARDWARE IDENTIFIER

Illustrations on this page are to scale for faster identification of hardware during assembly.

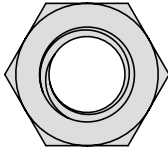
**Do not return this product if you are missing parts.**

Please Call: 1 (877) 728-8224

15 Nut; Hex Lock, 5/16" (x16) .....  
*B-4786*



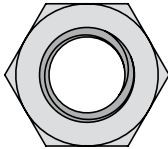
20 Nut; Hex 1/2" (x2) .....  
*30M1600P*



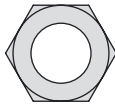
24 Nut; Nylon Lock, 1/4-20" (x2) .....  
*B-1673P*



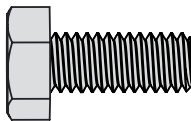
28 Nut; Hex Lock 1/2" (x2) .....  
*B-5096Y*



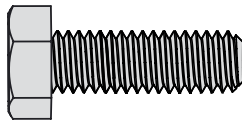
34 Nut; Hex, 5/16" (x1) .....  
*30M1000P*



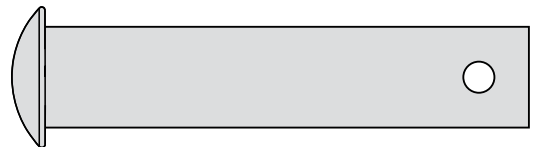
13 Bolt; Hex Head  
5/16 x 3/4" (x10) .....  
*2M1012P*



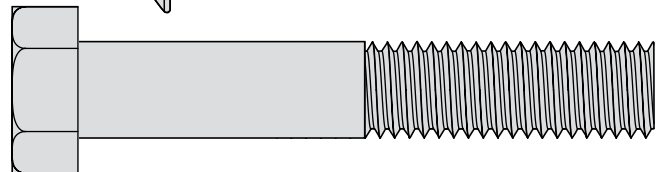
14 Bolt; Hex Head  
5/16 x 1" (x4) .....  
*2M1016P*



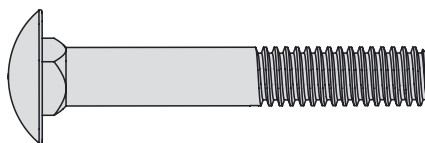
17 Drawbar Pin; 1/2" x 2 1/2" (x1) .....  
*B-3861*



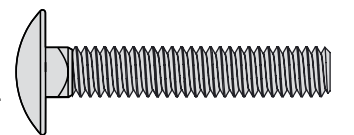
19 Bolt; Hex Head, 1/2" x 3" (x2) .....  
*1M1648P*



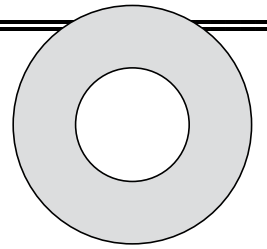
30 Bolt; Carriage,  
5/16 x 2"  
(x2) .....  
*10M1032P*



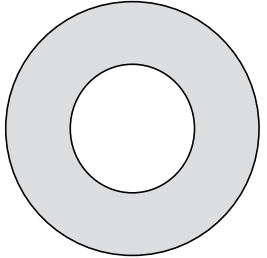
31 Bolt; Carriage  
SS, 1/4 x 1-1/2"  
(x1) .....  
*11M0824P*



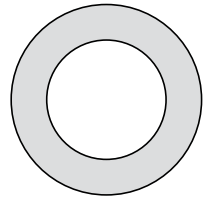
16 Washer; Thick  
5/8" (x10) .....  
*1019390*



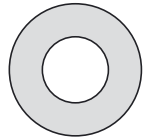
21 Washer; Flat  
1/2" (x4) .....  
*1019753*



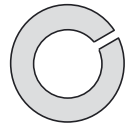
26 Washer; Thin  
5/8" (x2) .....  
*1019391*



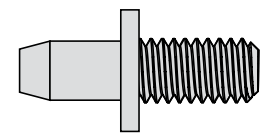
27 Washer; Flat  
5/16" (x6) .....  
*45M1111P*



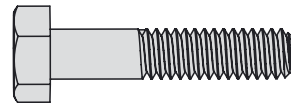
33 Washer; Lock  
5/16" (x1) .....  
*40M1000P*



22 Transport  
Lock Pin (x1) .....  
*B-3307-S*



23 Bolt; Hex Head  
1/4 x 1-1/4" (x1) .....  
*2M0820P*



# ASSEMBLY

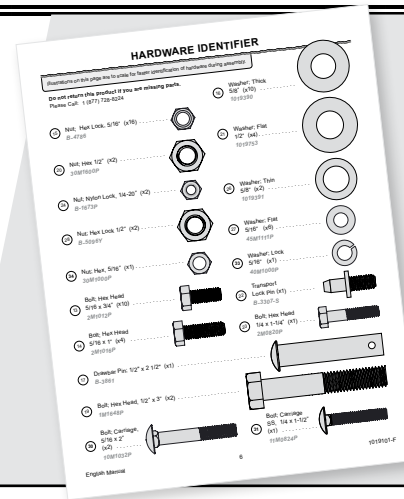
## Assembly Tip

Illustrations on page 6 are to-scale. For faster identification of the hardware during assembly, simply lay the hardware on top of these illustrations.



Additional info and videos are available on our website: [brinly.com](http://brinly.com)

This QR code links directly to the Spike Aerator product page.



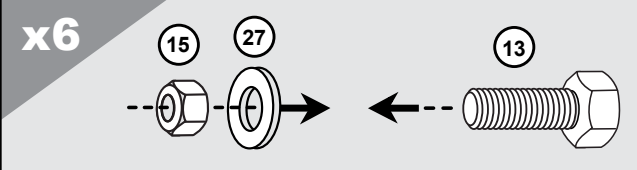
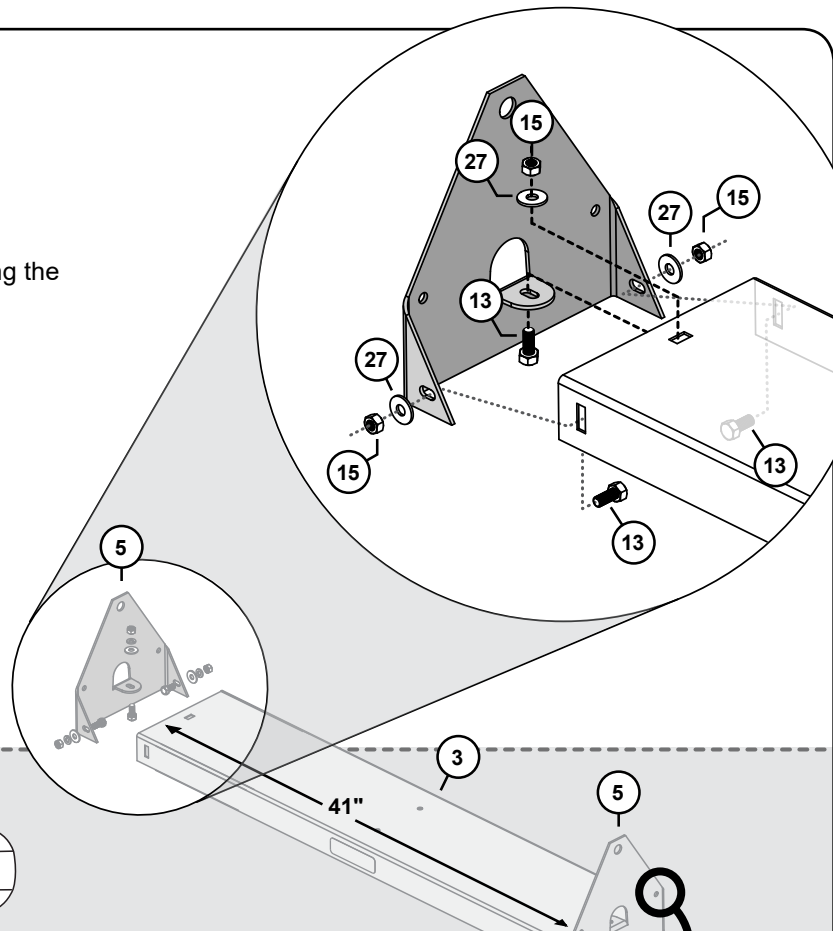
## Step 1

### Attach End Panels to Tray

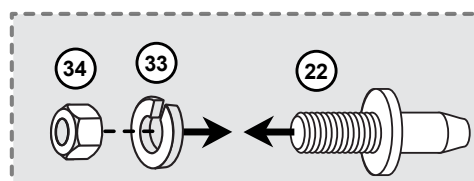
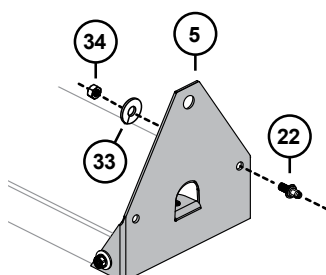
Attach the two End Panels (5) to the Tray (3) using the following as illustrated:

- x6 - 5/16" x 3/4" Hex Hd Bolts (13)
- x6 - 5/16" Flat Washers (27)
- x6 - 5/16" Hex Lock Nuts (15)

**NOTE:** The inside distance between the two end panels should be 41 inches to ensure proper installation.



Attach the Transport Lock Pin (22) to End Panel (5) using a 5/16" Lock Washer (33) and 5/16" Hex Nut (34), as shown.





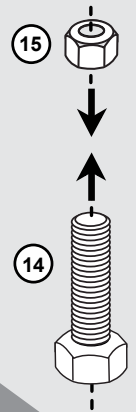
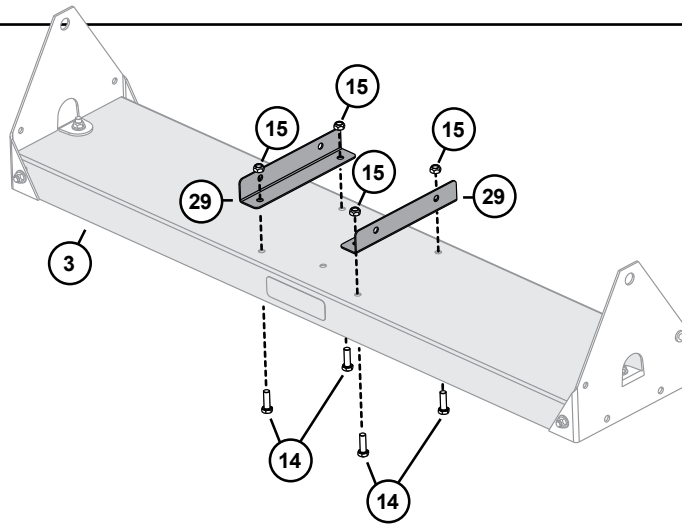
# ASSEMBLY

## Step 2

### Install Drawbar

Attach Drawbar brackets (29) to the tray (3) using the following as illustrated:

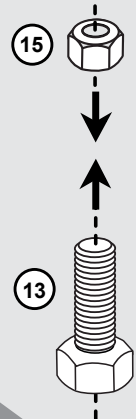
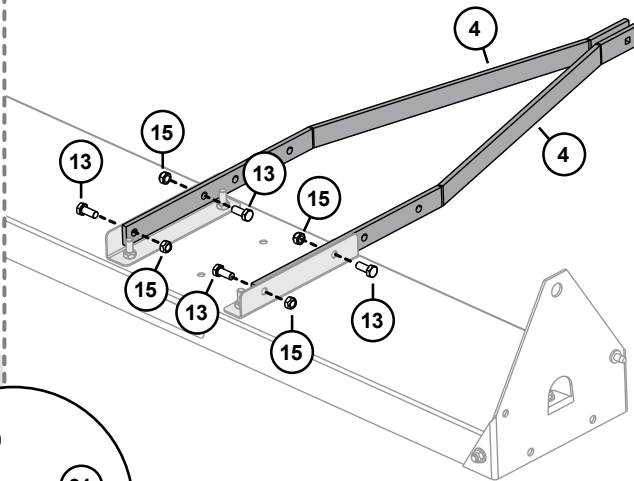
- x4 - 5/16" x 1" Hex Head Bolts (14)
- x4 - 5/16" Hex Lock Nuts (15)



x4

Attach the drawbars (4) to the drawbar brackets that were just attached. Use the following hardware as illustrated:

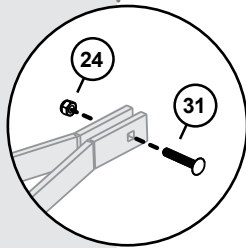
- x4 - 5/16" x 3/4" Hex Head Bolts (13)
- x4 - 5/16" Hex Lock Nuts (15)



x4

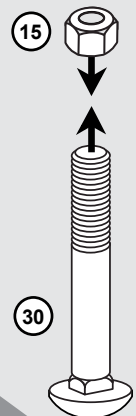
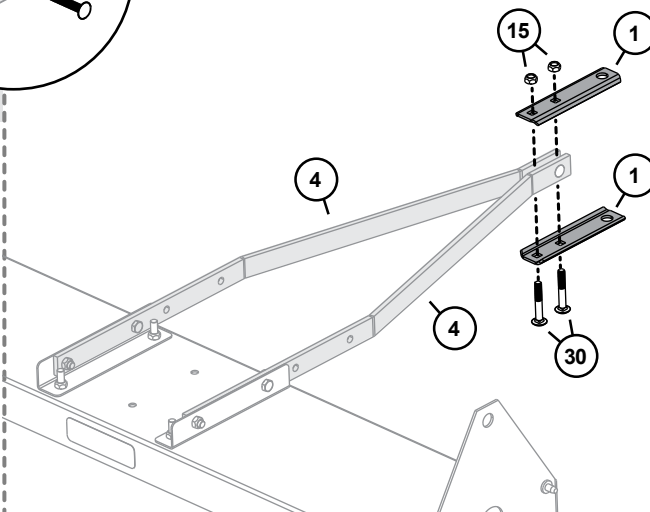
Run the 1/4 x 1-1/2" Carriage Bolt (31) through the end of the tow bars (4).

Start to add (but do not tighten) the 1/4-20" Nylon Lock Nut (24).



Align the two clevis brackets (1) with the drawbars (4) and secure by straddling the bolt that was just added with two 5/16" x 2" Carriage Bolts (30) from below.

Lock in place with two 5/16" Hex Lock Nuts (15) and secure the remaining bolt that these straddle.



x2

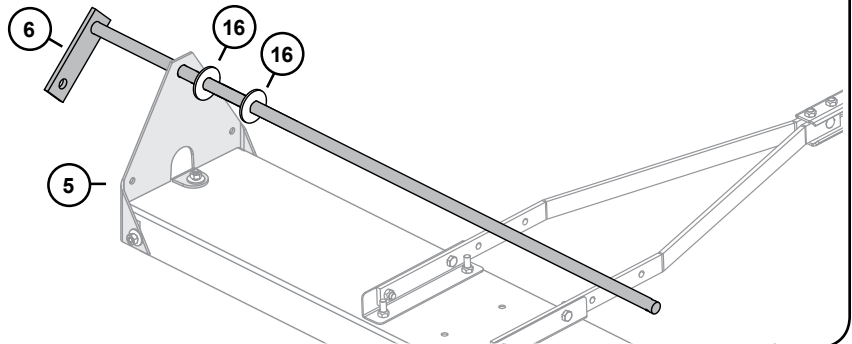


# ASSEMBLY

## Step 3-A

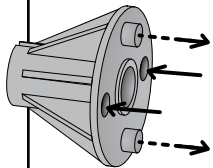
Slide the Axle (6) through the hole in the End Panel (5, right side).

Add two 5/8" Thick, Flat Washers (16) to the axle.

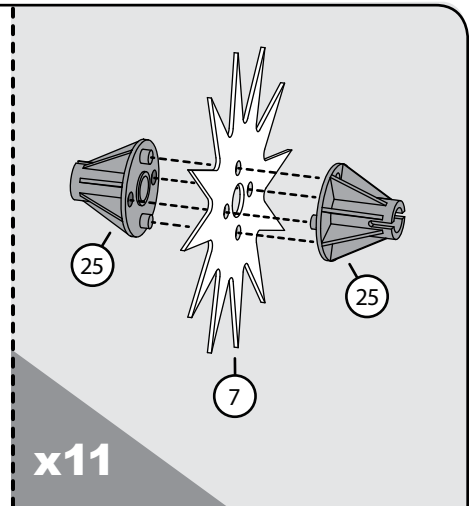


## Step 3-B

**CAUTION: GLOVES ARE REQUIRED WHEN HANDLING AERATOR TINES.** Tines have extremely sharp points. Use caution when handling.



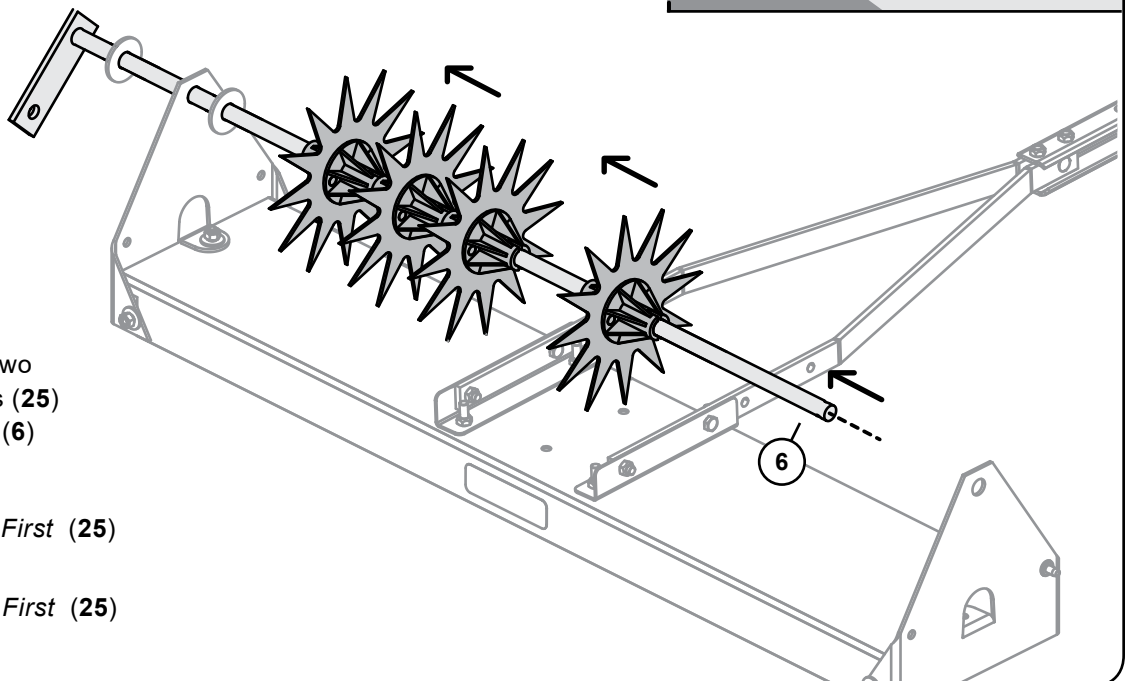
**NOTE:** The Bearings (25) have two small openings and extensions. These are designed to sandwich the Tines (7), sliding through and connecting.



### WEARING GLOVES:

Position the eleven Tines (7) and twenty-two Spacer/Bearing Tubes (25) on the Axle Assembly (6) as follows:

- Bearing, *Small End First* (25)
- Aerator Tine (7)
- Bearing, *Large End First* (25)



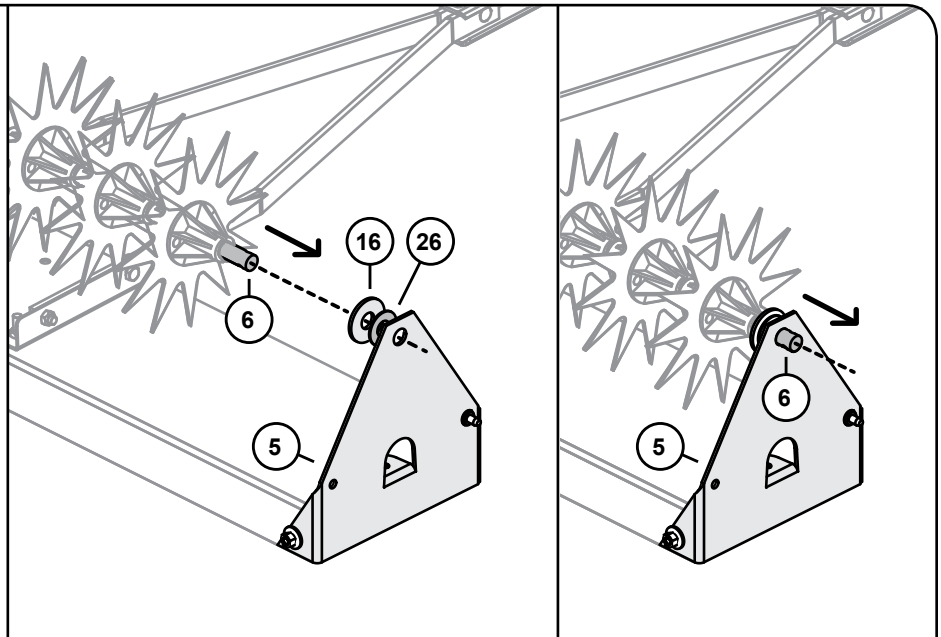
# ASSEMBLY

## Step 3-C

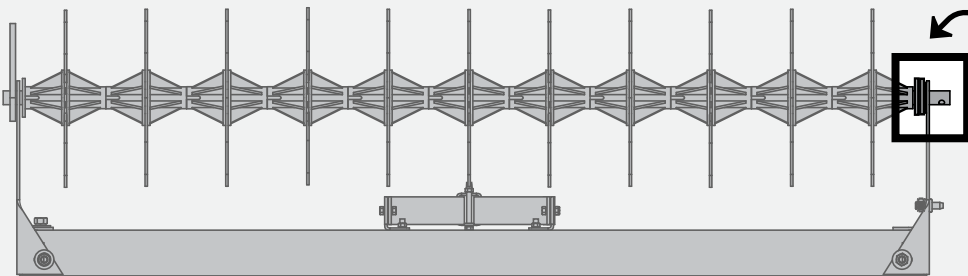


Position as many extra washers (16 or 26) as needed to eliminate any side-to-side movement and push Axle Assembly (6) through hole in the left End Panel (5) as far as possible.

See layout below.



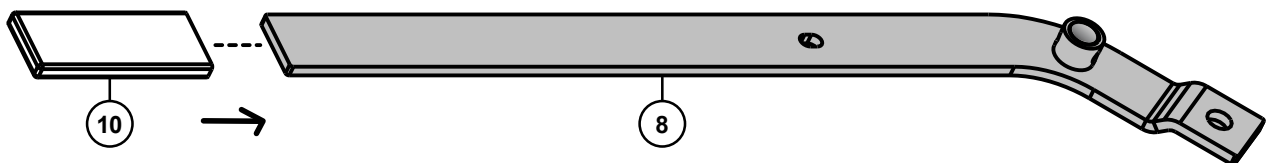
**NOTE:** Tines must not move from side to side inside opening of end panels.



**IF LOOSENESS EXISTS,** use additional 5/8" Thick or Thin Washers (16 or 26) inside the End Panel to eliminate any side movement.


## Step 4-A

Slide the Handle Grip (10) on to the Handle Assembly (8) as illustrated.



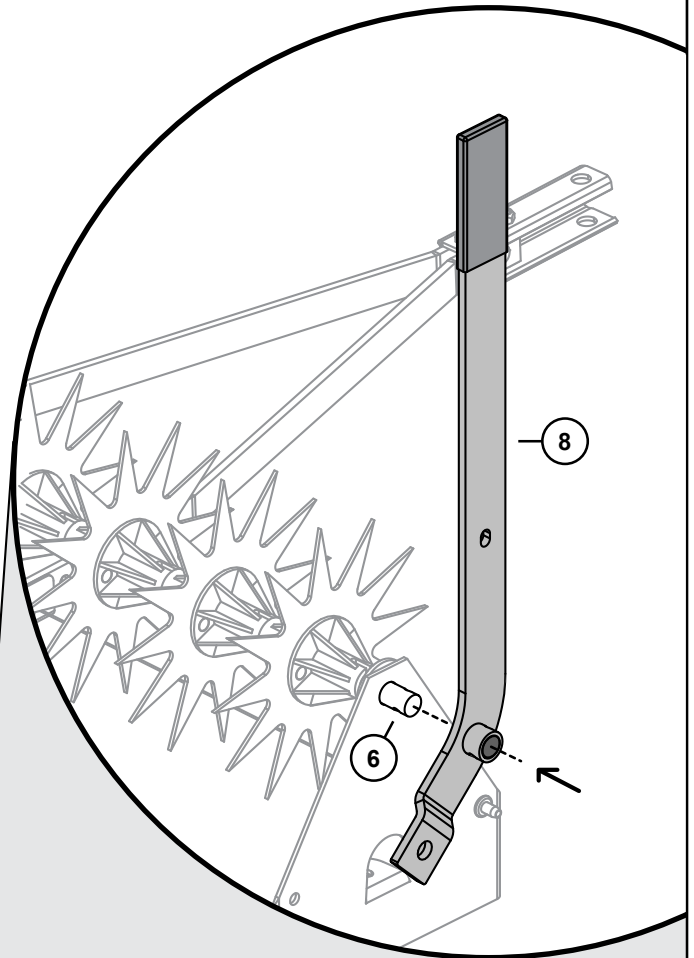
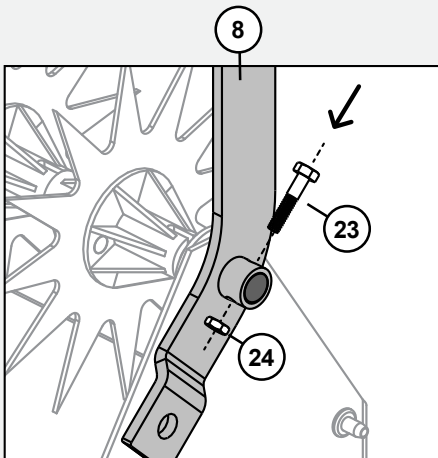
# ASSEMBLY

## Step 4-B

Slide the Handle Assembly (8) on the end of the Axle Assembly (6). 

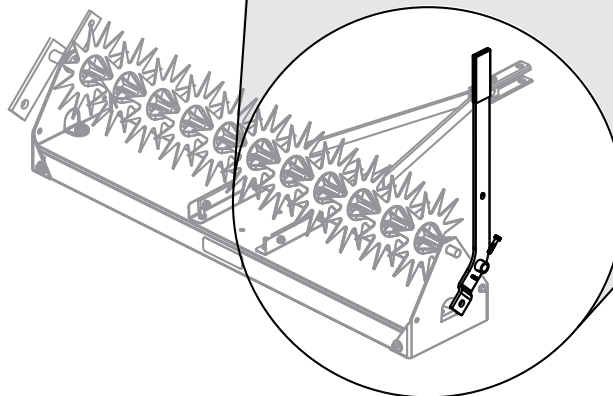
Insert one 1/4" x 1-1/4" Hex Bolt (23) through the hole in the end of the Handle Assembly (8).

Secure with 1/4-20" Nylon Lock Nut (24), as shown.



### NOTE:

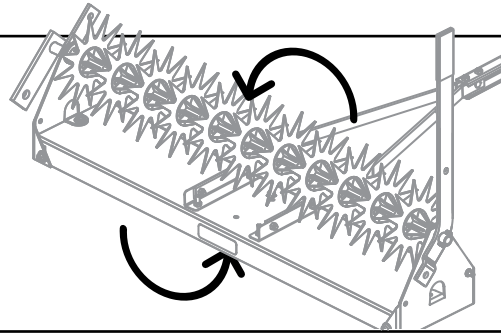
The wheel bar mount on the axle assembly must be positioned downward, as shown, in order to properly attach the wheels.



# ASSEMBLY

## Step 5-A

While wearing gloves, carefully and gently flip the Spike Aerator over.



## Step 5-B

### INSTALL FIRST WHEEL

Attach a wheel (9) to the wheel bar mount on the Axle (6).



#### IMPORTANT:

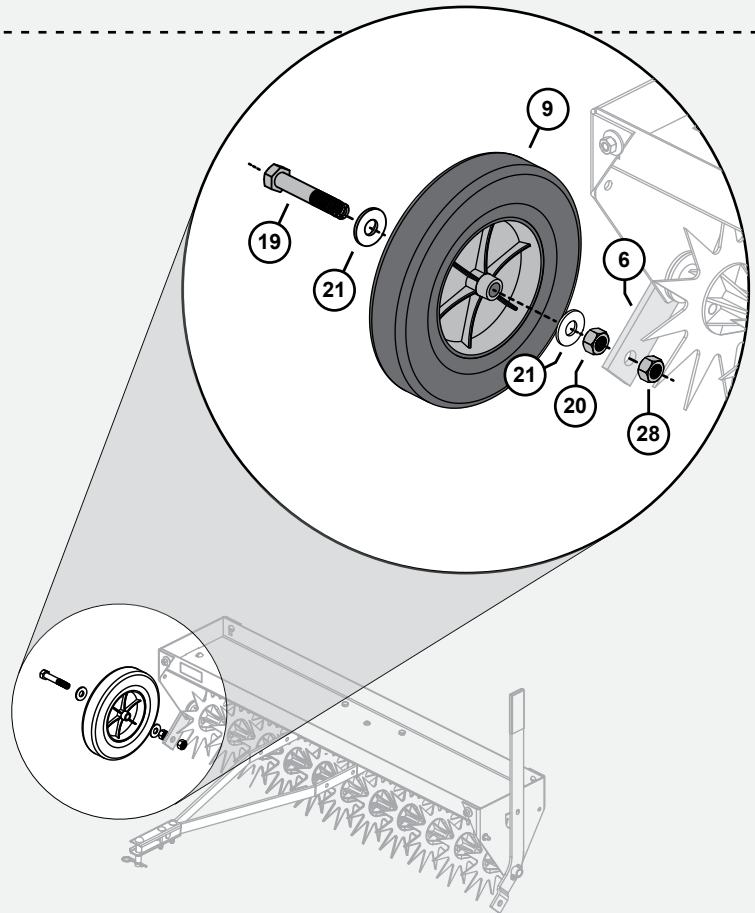
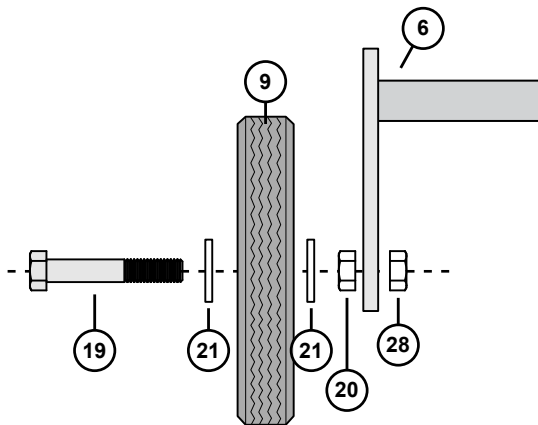
Attaching the wheel without all of the proper hardware will cause the wheel to wobble. Insure all hardware is used, see inset below.

Secure the first wheel to the right side using hardware in this order:

- 1/2" x 3" Hex Bolt (19)
- 1/2" Flat Washer (21)
- Wheel (9)
- 1/2" Flat Washer (21)
- 1/2" Hex Nut (20)

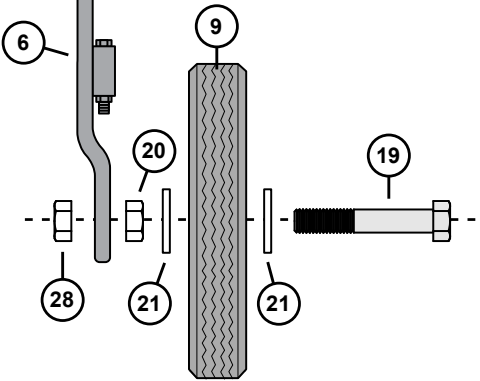
( Wheel Bar Mount on the Axle )

- 1/2" Hex Lock Nut (28)



# ASSEMBLY

## Step 5-C

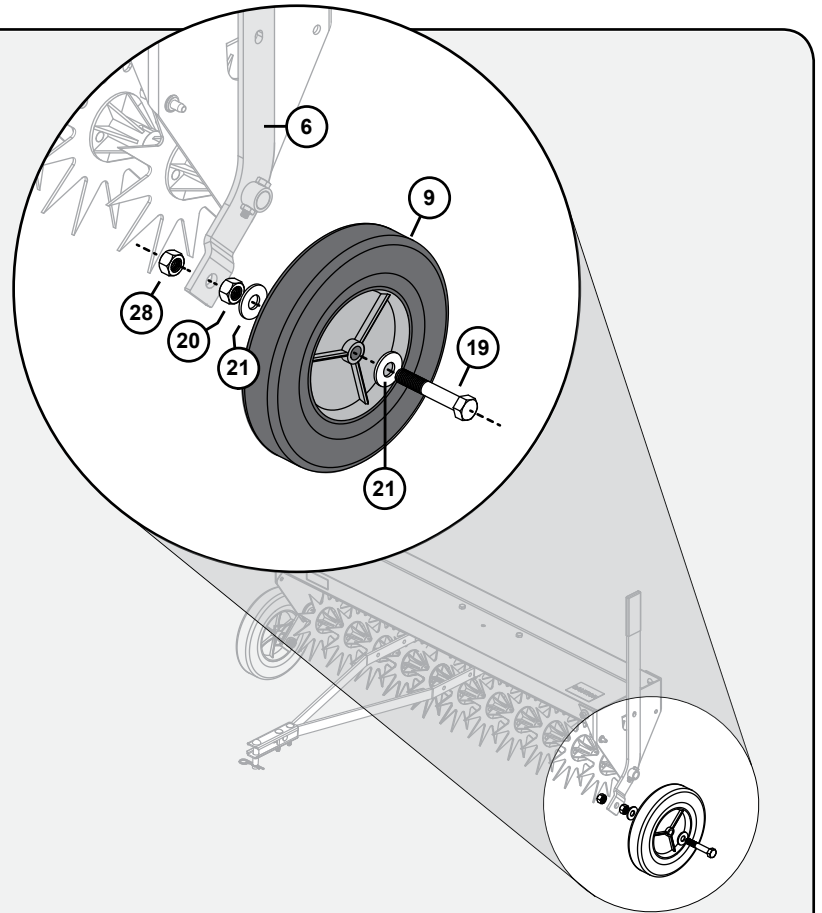


Attach the second wheel (9) to the Handle Assembly (6) using hardware in this order:

- 1/2" x 3" Hex Bolt (19)
- 1/2" Flat Washer (21)
- Wheel (9)
- 1/2" Flat Washer (21)
- 1/2" Hex Nut (20)

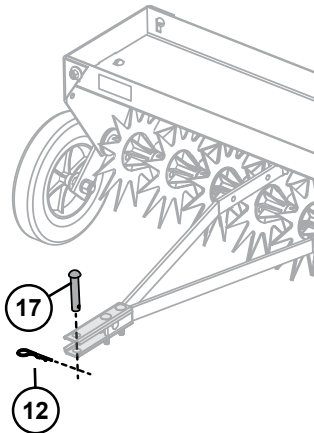
( Handle Assembly )

- 1/2" Hex Lock Nut (28)



## Step 6

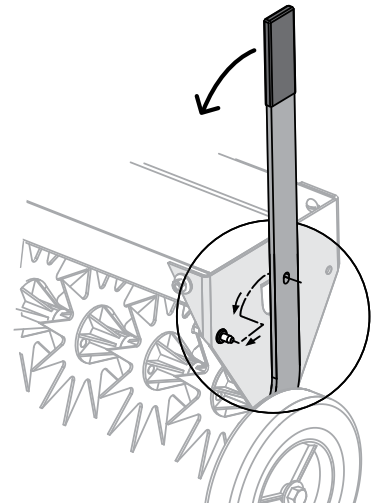
Attach the Aerator to your towing vehicle using a Drawbar Pin (17) and the supplied Cotter (12).



Pull FORWARD on the Handle Assembly (8).

Pull out slightly and position over Transport Lock Pin (22).

Aerator will rest on the wheels.



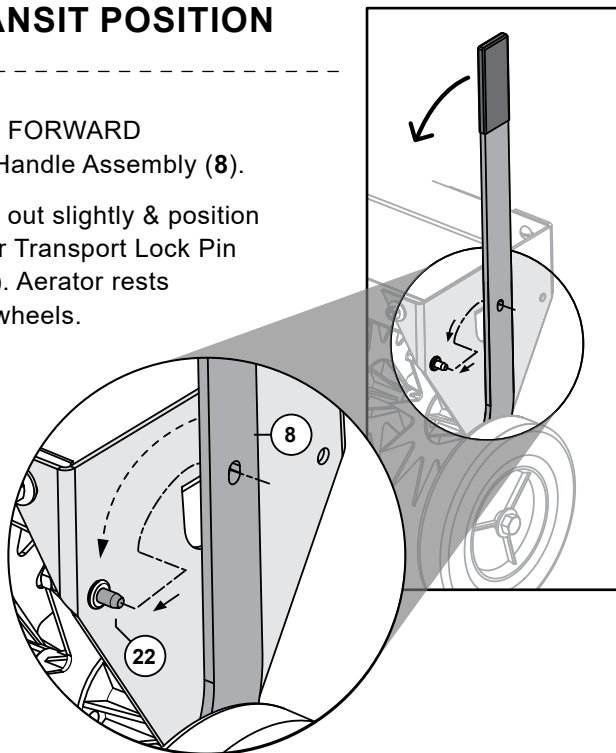
# OPERATION



**CAUTION:** Avoid damage to tines. Engage the transport wheels when crossing concrete or asphalt driveways and walkways.

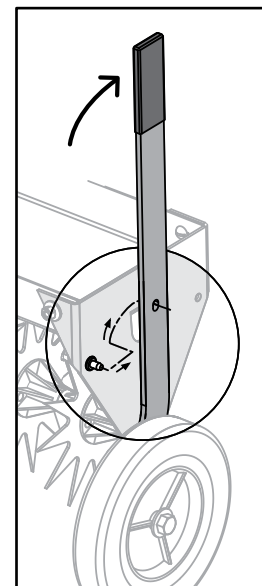
## TRANSIT POSITION

- Pull FORWARD on Handle Assembly (8).
- Pull out slightly & position over Transport Lock Pin (22). Aerator rests on wheels.



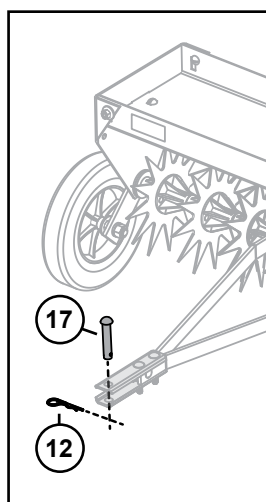
## OPERATING POSITION

- Pull OUT on the Handle Assembly (releasing from Transport Position) and push Handle BACK.
- Aerator should rest on Tines.



## INSTALLING

1. Park machine safely. (See towing vehicle manual).
2. Align the aerator clevis with towing machine drawbar.
3. Install drawbar pin (17) through clevis and machine drawbar. Secure drawbar pin with Hairpin Cotter (12).



**CAUTION: AVOID INJURY!** Make sure feet and hands are clear of Tine Tips.

Avoid injury! Do not operate lift handle unless attachment is installed to towing vehicle

## REMOVING



**CAUTION: AVOID INJURY!** Keep body parts away from under drawbar. Do not disconnect aerator from the towing vehicle with weight on the tray.

1. Secure towing vehicle parking brake. (See towing vehicle manual).
2. Place Aerator in the Transport Position.
3. Unload Aerator tray.



**CAUTION: AVOID INJURY!** Keep body parts away from under drawbar. Do not disconnect aerator from the towing vehicle with weight on the tray.

4. Remove cotter pin and drawbar pin.
5. Push aerator away from towing vehicle.
6. Install drawbar pin and cotter pin to drawbar for storage.

# OPERATION



**CAUTION: AVOID INJURY:** Excessive towed load can cause loss of control on slopes. Stopping distance increases with speed and weight of the towed load. Total towed weight must not exceed combined weight of towing vehicle, ballast and operator.

## USING THE WEIGHT TRAY

The following maximum loaded weight capacity is the weight of the aerator plus the weight loaded in the tray:

MODEL	WEIGHT CAPACITY
SAT2-40BH-P	42 lbs. (Empty) 150 lbs. (Max Load) 192 lbs. Max Towed Weight



**CAUTION: AVOID INJURY!** Keep body parts away from under drawbar. Do not disconnect aerator from the towing vehicle with weight on the tray.

Towing capacity will vary with weight of towing vehicle and operator. Add the weight of your machine to operator weight to find the maximum capacity for towing.

## SPEED

The best operating speed is 3 mph or less.



## DEPTH / PENETRATION

- Weight should be added to tray after installing to the towing machine. Weight should be secured by rope, straps, or other suitable means to contain the weight in the tray.
- Weight tray maximum capacity = 150 pounds.
- **Moderate soil moisture is important for proper penetration.**
- Extremely dry conditions will not permit penetration and may damage the tines. Extremely wet conditions will cause full penetration to the tine spacers. This condition will cut slots in the turf.

## FREQUENCY

Aeration is not accomplished in a single pass. It will normally take several passes over the lawn. Alternating the direction by 90° will improve the aeration effect.

The aerator may be used in an independent operation or may be used when mowing your lawn.



# MAINTENANCE / SPECIFICATIONS



**CAUTION: Avoid Injury!** Keep body parts away from under drawbar.  
Do not disconnect aerator from the towing vehicle with weight on the tray.

## MAINTENANCE



- After the first 30 minutes of use check all fasteners for tightness.
- Tines are manufactured with galvanized steel to resist wear of abrasive soil. Striking objects can cause tines to curl or break. Contact our Customer Service Department to purchase replacement Tines (Part # 1018833).
- **PREVENTING RUST:** Aerators are essentially maintenance free. However as with any steel product, it can rust. Apply a light coat of oil on tines after use to prevent rust. For rust appearing on painted surfaces, sand lightly and coat with enamel.
- Periodically remove debris that builds up between tines.
- Apply lubricating oil at each tine and bearing before use.

## STORAGE



**CAUTION:  
AVOID INJURY!**

The Aerator Tines are very sharp. Care should be taken when choosing a storage location for this product.

- Store Aerator in low traffic aiseways.
- Store Aerator with the tine points facing the wall or ground.
- Store Aerator on the ground or low to the ground.
- Do not store Aerator hanging from the wall, ceiling or with Tine points facing outward.
- Product packaging can be used to offer a protective area around the Tines.
- Drawbar is a trip hazard. Avoid leaving Drawbar in aisle ways and walking paths.

## SPECIFICATIONS

Maximum Towing Speed . . . . .	5 mph.
Maximum Load . . . . .	150 lbs.
Empty Weight . . . . .	42 lbs.
Maximum Towed Weight . . . . .	192 lbs.

# CUSTOMER SERVICE

---

---

## SERVICE

### QUALITY CONTINUES WITH QUALITY SERVICE

If you have installation questions, are missing parts or need replacement parts, don't go back to the store!

Please find your product serial number and model number, then contact our Customer Service department:



In North America and Canada call  
Toll-Free: **877-728-8224**



Chat online: **www.brinly.com**



Email: **customerservice@brinly.com**



## ONLINE

### BRINLY.COM

Additional info and videos are available on our website. Please visit the URL above OR scan this QR code.

SAT2-40BH-P



## NOTES

---

---

---

---

---

---

---

---

---

---



MANUFACTURER'S LIMITED WARRANTY  
**AERATORS**

*The limited warranty set forth below is given by Brinly-Hardy Company with respect to new merchandise purchased and used in the United States (its possessions and territories) and Canada.*

Brinly-Hardy Company warrants the products listed below against defects in material and workmanship, and will at its option, repair or replace, free of charge, any part found to be defective in materials or workmanship. This limited warranty shall only apply if this product has been assembled, operated, and maintained in accordance with the Operator's manual furnished with the product, and has not been subject to misuse, abuse, commercial use, neglect, accident, improper maintenance, alteration, vandalism, theft, fire, water, or damage because of other peril or natural disaster.

Parts found to be defective within the warranty period will be replaced at our expense. Our obligation under this warranty is expressly limited to the replacement or repair, at our option, of parts found to be defective in material and workmanship.

**HOW TO OBTAIN SERVICE:** Warranty parts replacements are available, only with proof of purchase, through our Customer Service Department. Call 877-728-8224.

**This limited warranty does not provide coverage in the following cases:**

- a. Routine maintenance items such as lubricants & filters.
- b. Normal deterioration of exterior finish due to use or exposure.
- c. Transportation and/or labor charges.
- d. The warranty does not include commercial and/or rental use.

**No implied warranty, including any implied warranty of merchantability of fitness for a particular purpose, applies after the applicable period of express written warranty above as to the part as identified below. No other express warranty whether written or oral, except as mentioned above, given by any person or entity, including a dealer or retailer, with respect to any product, shall bind Brinly-Hardy Co. During the period of the warranty, the exclusive remedy is repair or replacement of the product as set forth above.**

**The provisions as set forth in this warranty provide the sole and exclusive remedy arising from the sale. Brinly-Hardy Co. shall not be liable for incidental or consequential loss or damage including, without limitation, expenses incurred for substitute or replacement lawn care services or for rental expenses to temporarily replace a warranted product.**

Some states do not allow the exclusion or limitation of incidental or consequential damages, or limitations on how long an implied warranty lasts, so the above exclusions or limitations may not apply to you.

During the warranty period, the exclusive remedy is replacement of the part. In no event shall recovery of any kind be greater than the amount of the purchase price of the product sold. Alteration of safety features of the product shall void this warranty. You assume the risk and liability for loss, damage, or injury to you and your property and/ or to others and their property arising out of the misuse or inability

to use this product. **NOTE:** *This limited warranty shall not extend to anyone other than the original purchaser or to the person for whom it was purchased as a gift.*

This limited warranty lasts as long you own your product purchased from an authorized seller. **Coverage terminates once you sell or otherwise transfer the product.**

This limited warranty does not cover any purchaser other than the original purchaser of the product, nor does it cover any product purchased from an unauthorized third-party. If you are not the original purchaser of this product, your product is not covered by our limited warranty and you take the product "AS IS" and "with all faults."

We may require proof of purchase from you demonstrating that you are the original purchaser of the product, purchased the product from an authorized dealer, and are eligible to make a valid claim under this limited warranty.

**How state law relates to this warranty:** This limited warranty gives you specific legal rights, and you may also have other rights which vary from state to state.

**IMPORTANT:**

The Warranty period stated below begins with the proof of purchase. Without the proof of purchase, the Warranty period begins from the date of manufacture determined by the serial number manufacturing date. All parts replaced under warranty will be considered as part of the original product, and any warranty on the replaced parts will expire coincident with the original product warranty.

**WARRANTY PERIOD:**

*See applicable parts listed below.*

**Standard / Residential Use:**

Steel Frame & Steel Parts . . . . .	2 years
Stars & Plugs . . . . .	90 days
Tires / Wheels . . . . .	90 days
Drive: Chain & Sprocket . . . . .	90 days

*All other normal wear parts or component failures will be covered on this product for a period of 90 days.*

*If this equipment is being used in a commercial application and / or for multiple properties, the warranty is 90 days after purchase for all parts.*