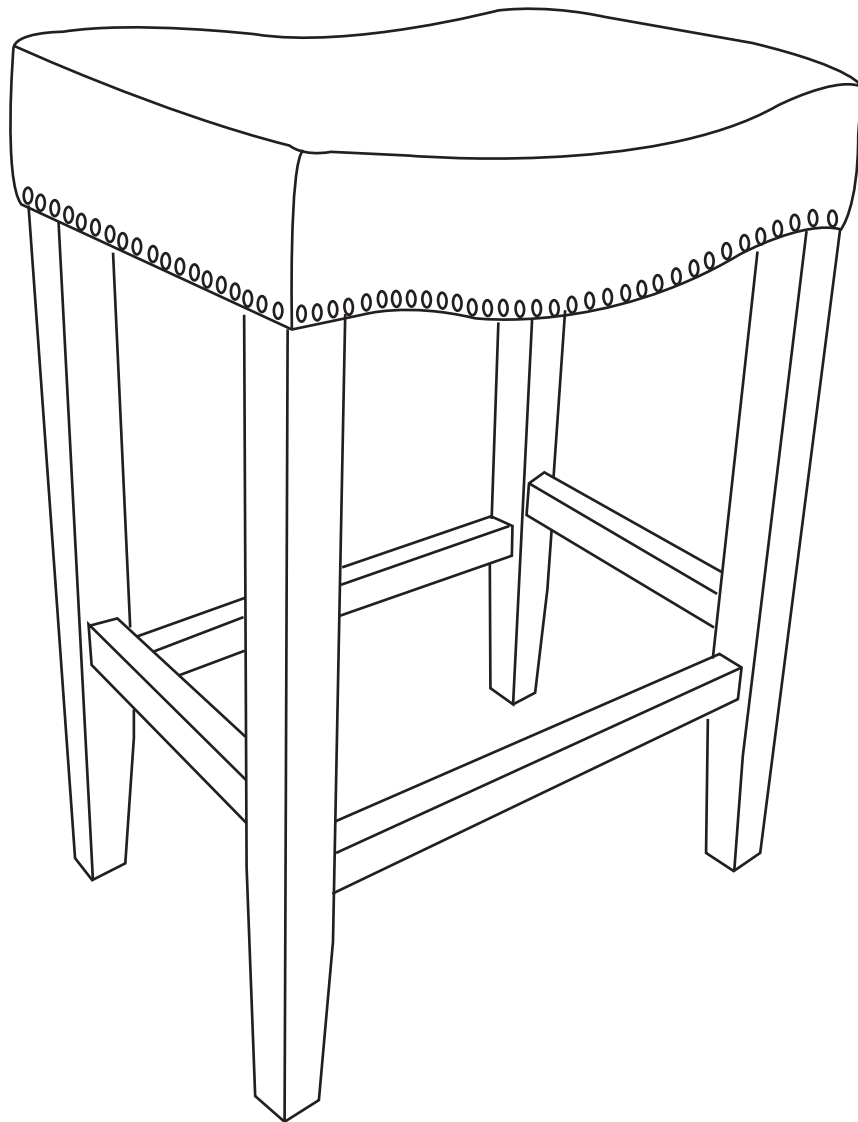


# INSTRUCTION MANUAL



**29" Upholstered Nail Head Counter Stool**  
**SKU: ID401-29**

## ! CARE & MAINTENANCE

- △ Clean the dust with a soft cloth
- △ Do not store in extremely wet environment.

## HARDWARE

### 1 Flat washer



8PCS

### 2 Lock washer



8PCS

### 3 Allen Key



1PC

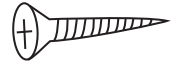
### 4 Screws



M8x60MM

8PCS

### 5 Self-tapping screw



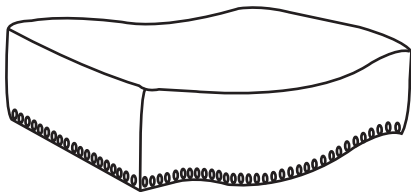
M4.5x45MM

8PCS

## PARTS

### A

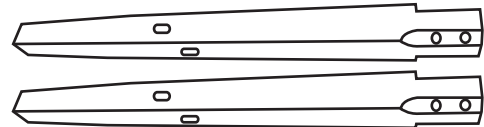
### Seat



1PC

### B

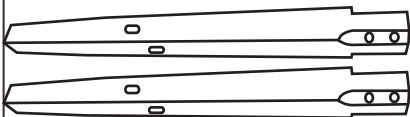
### Legs No. 1



2PCS

### C

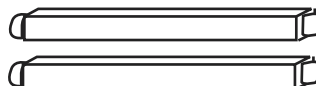
### Legs No. 2



2PCS

### D

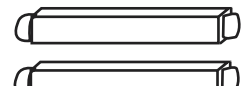
### Longer Footrest



2PCS

### E

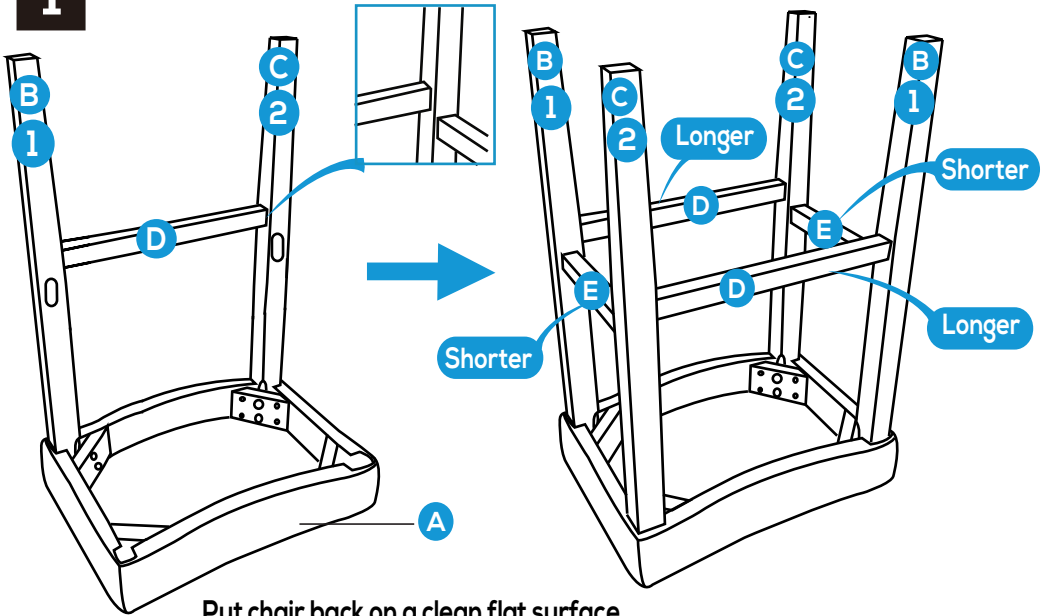
### Shorter Footrest



2PCS

## PRODUCT ASSEMBLY

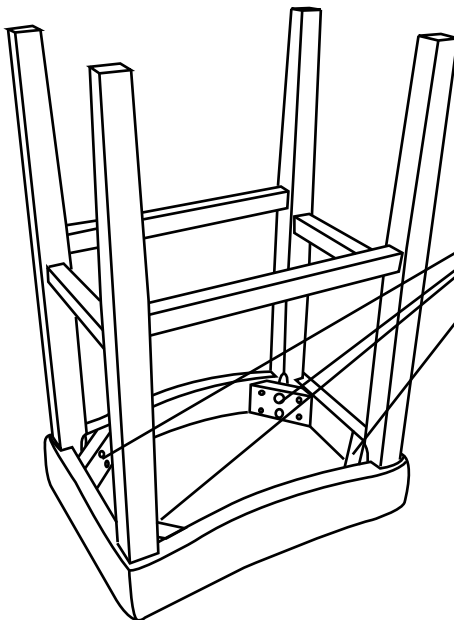
1



Put chair back on a clean flat surface.

Please note put the legs on correct hole site as shown in the diagram

2



Align front legs in the seat pad as shown in the diagram.

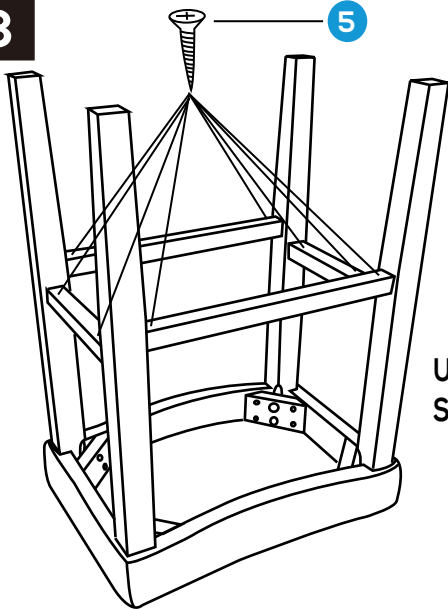
Using SCREW (4) with Washer (#1,2).

**DO NOT FULLY TIGHTEN.**

First **HAND** tighten then tightened using key (3) up-to 60-80% only at this stage.

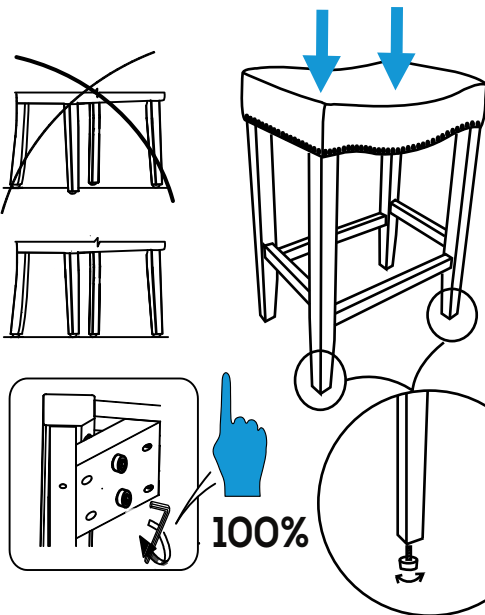
## PRODUCT ASSEMBLY

3



Using your own screwdriver 100% lock  
Self-tapping Screw (5) as shown in the diagram

4



Put chair in the upright position and  
**SIT ON THE CHAIR** to press downwards  
on the seat pad ensuring that all 4  
feet touch the ground and chair is leveled.

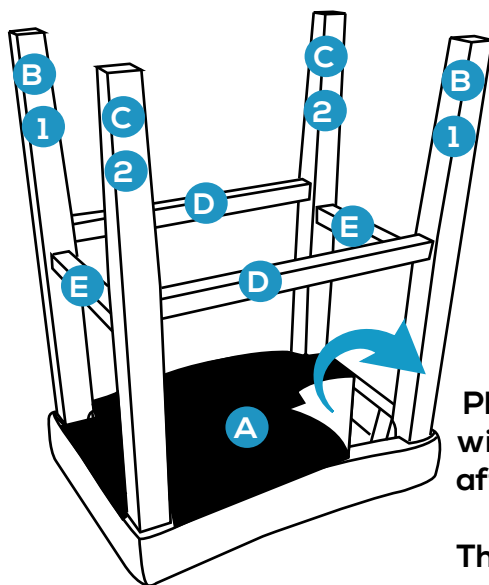
Proceed to tighten all screws making sure  
the chair remains level when tightening.

Check that all screws are tight on a regular  
basis to ensure chair remains level and  
secure.

Also you can using adjustable feet to keep four  
legs level.

## PRODUCT ASSEMBLY

5



Please recheck all parts with correct position after assemble chair ,

Then close black fabric cover

6

