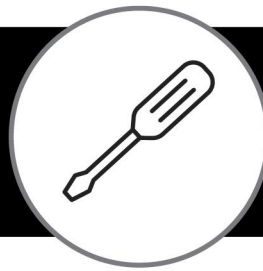


Assembly Guide



Bush
FURNITURE

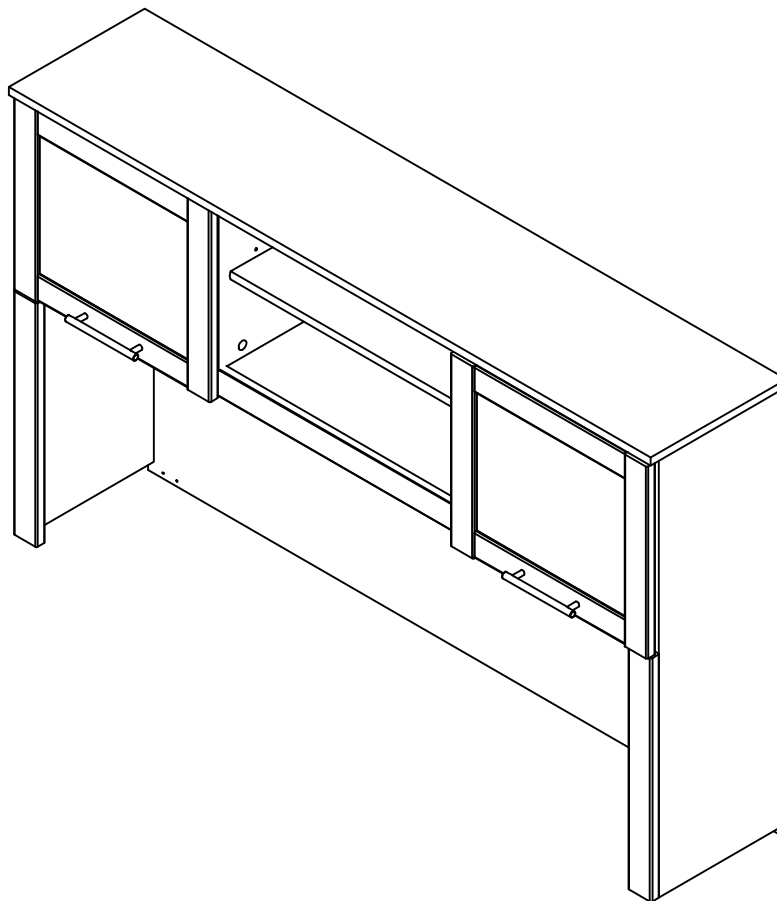


If you're having any difficulty during assembly of this product, don't hesitate to call us at **1-800-950-4782.**

Our customer service experts are trained to provide step-by-step instruction and can easily replace any missing or damaged parts.

Representatives are available Monday-Friday from 8:30 a.m. to 7:30 p.m. (ET)

60W Hutch



Lot Code #

Part Number A177868G

Keep manual for future reference.

For best results, keep these tips in mind:

- ① We know you want to finish this assembly as quickly as possible, but trust us: you'll have a better experience if you take it one step at a time.
- ② Give yourself some room to work near where you want the fully assembled product.
- ③ If your floor isn't carpeted, assemble this product on the empty carton to avoid scratching.
- ④ Do you have a friend who owes you a favor? Some steps may go a little easier with a second set of hands.

DOs

- ✔ Use a #2 Phillips head screwdriver (or other handheld tools as indicated)
- ✔ Wear safety glasses at all times during assembly
- ✔ Carefully follow the instructions in this guide and complete all steps in order
- ✔ Give us a call if you're having trouble with a particularly tricky step

DON'Ts

- ✘ We know power tools are quick and easy, but you shouldn't use them when assembling this product (unless otherwise specified)
- ✘ Never move your furniture with items inside or resting on the surface
- ✘ Do not attempt to use this product before all steps have been completed



Watch assembly videos right on your phone or computer!



Some steps include QR codes that link to helpful videos. Watch out for the icon on the left! Simply open up your smartphone camera to scan the code.

(Users of older smartphones may need to install a QR Reader.)

SCAN HERE



FOR VIDEOS

Or visit <https://www.bushfurniture.com/CustomerService/HowtoAssemble.aspx>

IMPORTANT SAFETY INFORMATION



PLEASE READ WARNINGS

Improper use can cause safety hazards, or damage to your furniture and household items.

Warning	Do	Don't	Why it's important
Serious injury may occur.	<ul style="list-style-type: none">Assemble following all instructions using all indicated parts and hardware provided.Attach hutch only as described in the instructions.Verify furniture is stable on it's own.Only place against a permanent wall structure at least as tall as the hutch or place back-to-back with hutch of same size.	<ul style="list-style-type: none">Do not move unit when loaded.Do not load with a television or other heavy equipment.Do not exceed the maximum load limits stated in the instructions.Do not allow children to climb, or hang on furniture.	Improper assembly, use or loading can lead to product instability, tipover, or collapse.

Advertencia	Hacer	No	Por qué es importante
Pueden producirse lesiones graves.	<ul style="list-style-type: none">Realice el montaje siguiendo todas las instrucciones y utilizando todas las piezas indicadas y los herrajes suministrados.Fije la conejera como se describe en las instrucciones.Compruebe que el mueble sea estable por sí mismo.Colóque el producto únicamente contra una estructura de pared permanente y fíjelo directamente a los montantes de la pared siguiendo las instrucciones.	<ul style="list-style-type: none">No mueva la unidad cuando esté cargada.No cargue el mueble con un televisor u otro equipo pesado.No supere los límites máximos de carga indicados en las instrucciones.No permita que los niños trepen o se cuelguen de los muebles.	El montaje, uso o carga inadecuados pueden provocar inestabilidad, vuelco o colapso del producto.

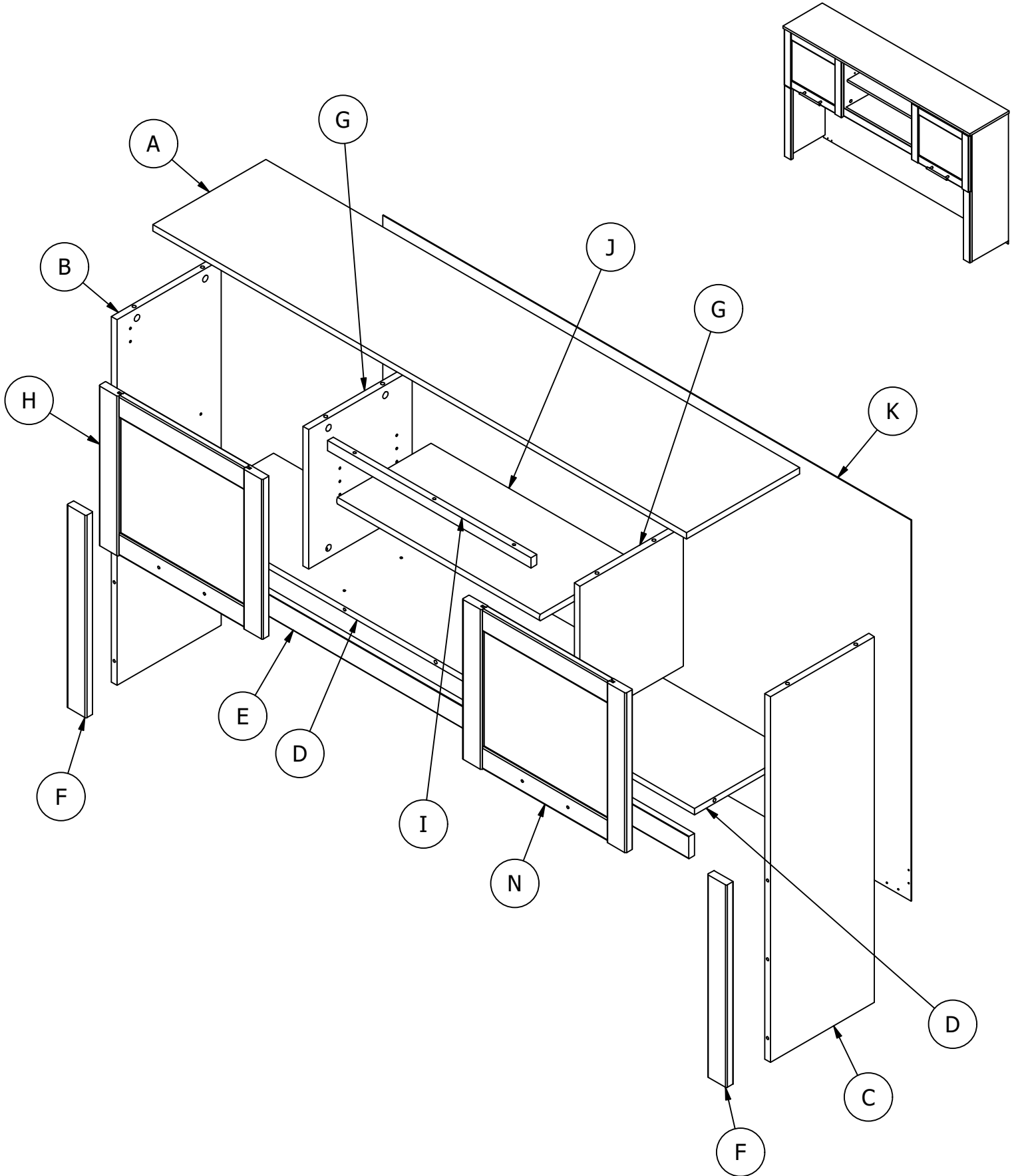
IMPORTANT SAFETY INFORMATION



PLEASE READ WARNINGS

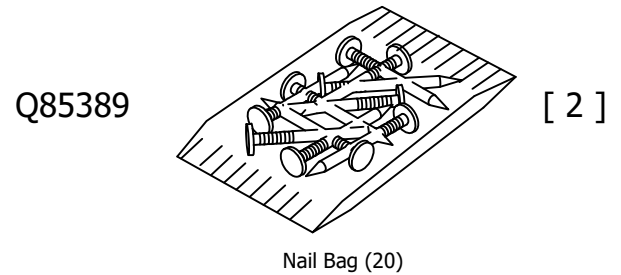
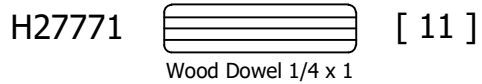
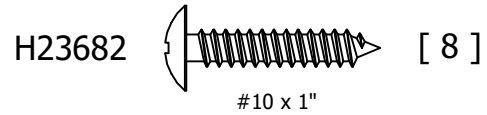
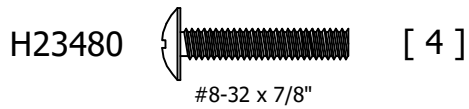
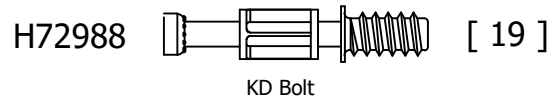
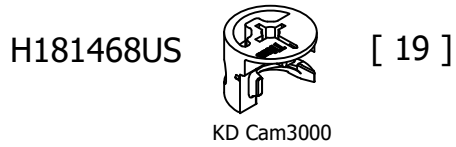
Improper use can cause safety hazards, or damage to your furniture and household items.

Avertissement	À faire	À ne pas faire	Pourquoi c'est important
Peut entraîner des blessures graves.	<ul style="list-style-type: none">• Assembler en suivant toutes les instructions et en utilisant toutes les pièces et la quincaillerie incluses.• Fixez la huche conformément aux instructions.• Assurez-vous que le meuble soit stable par lui-même.• Placer uniquement contre une structure murale permanente et fixer directement aux montants du mur selon les instructions.	<ul style="list-style-type: none">• Ne pas déplacer le meuble lorsqu'il est chargé.• Ne pas charger le meuble avec un téléviseur ou tout autre équipement lourd.• Ne pas dépasser les limites de poids maximales indiquées dans les instructions.• Ne pas laisser les enfants grimper ou s'accrocher aux meubles.	Un assemblage, une utilisation ou un chargement incorrects peuvent entraîner l'instabilité, le basculement ou l'effondrement du produit.



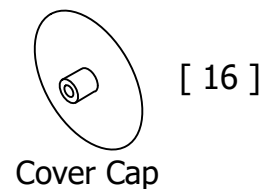
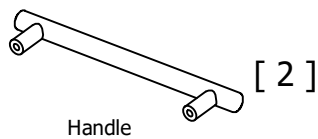
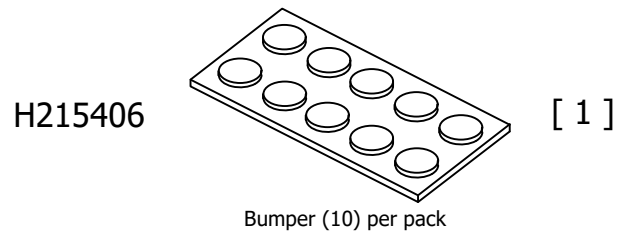
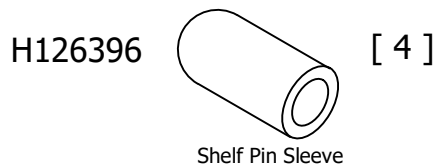
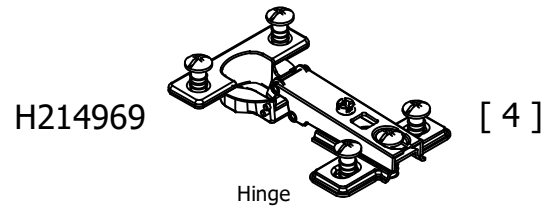
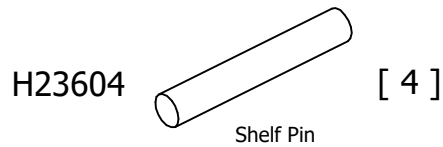
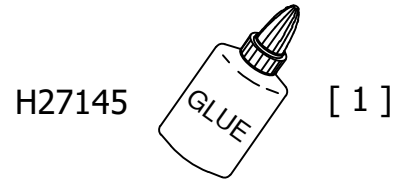
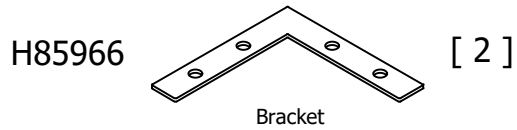
Have an assembly question or need a replacement part? Just call
1-800-950-4782, we are here to help.

Fasteners are shown actual size.



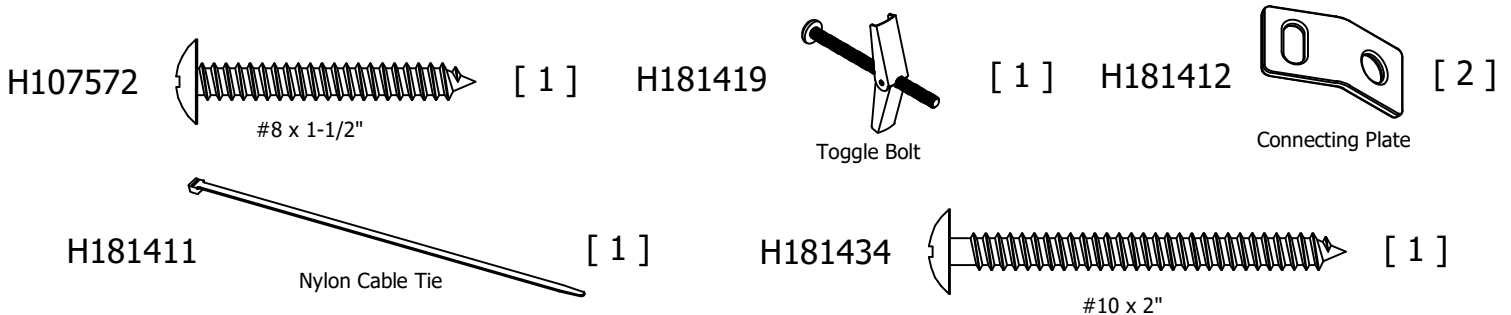
Have an assembly question or need a replacement part? Just call
1-800-950-4782, we are here to help.

Hardware not to scale.



TIPOVER RESTRAINT HARDWARE

SUGERENCIA SOBRE HARDWARE DE RETENCIÓN
MATÉRIEL DE RETENUE SUR LE SUPPORT

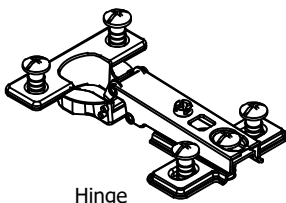

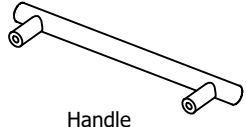


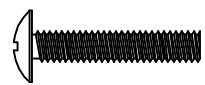
Have an assembly question or need a replacement part? Just call
1-800-950-4782, we are here to help.

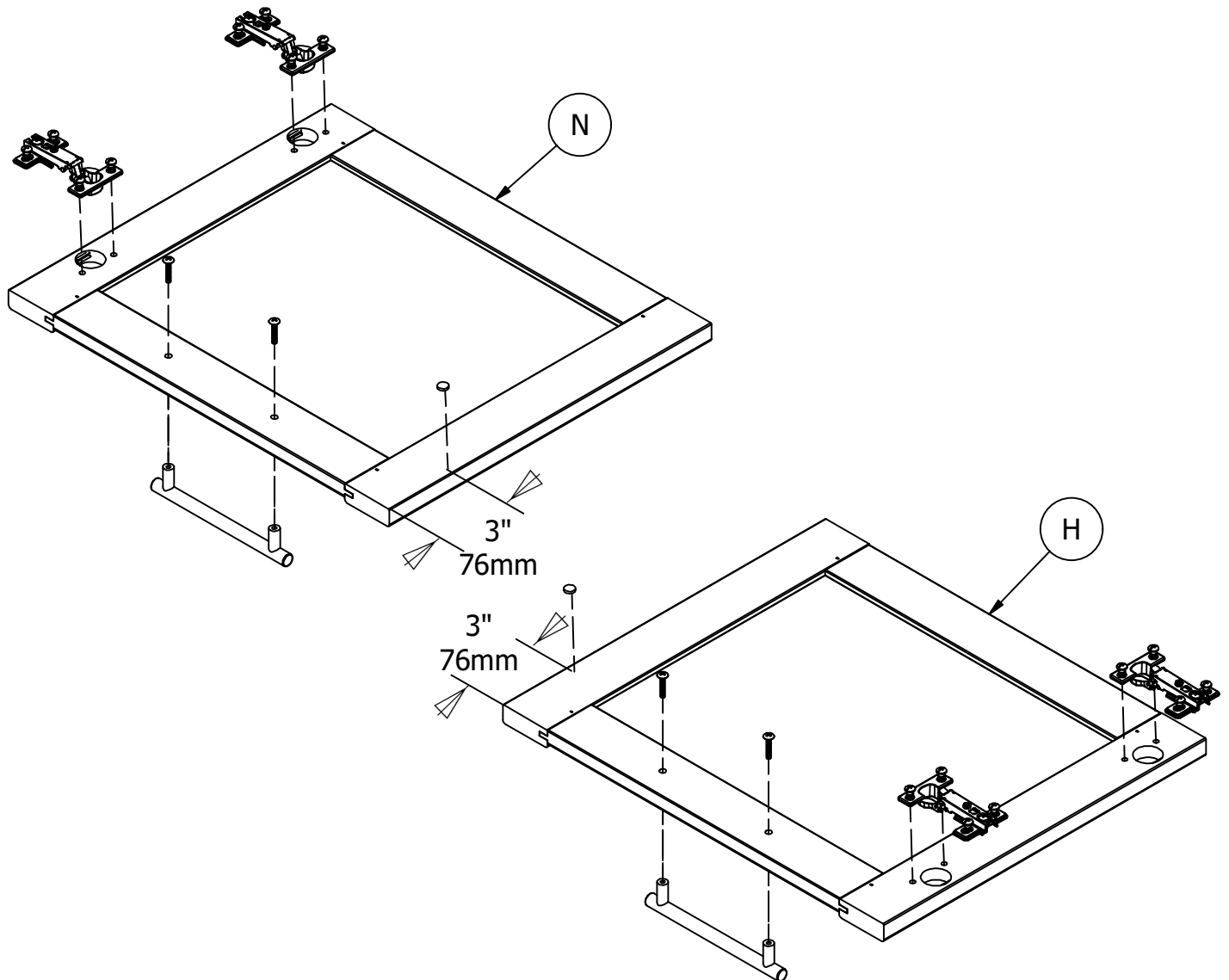
STEP 1

Assemble Door

A177868G

- H214969 [4]  Hinge
- H215406 [2]  Bumper
- [2]  Handle

- H23480 [4]  #8-32 x 7/8"



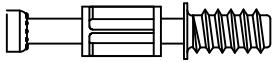
Have an assembly question or need a replacement part? Just call
1-800-950-4782, we are here to help.

STEP 2

Prepare Panels

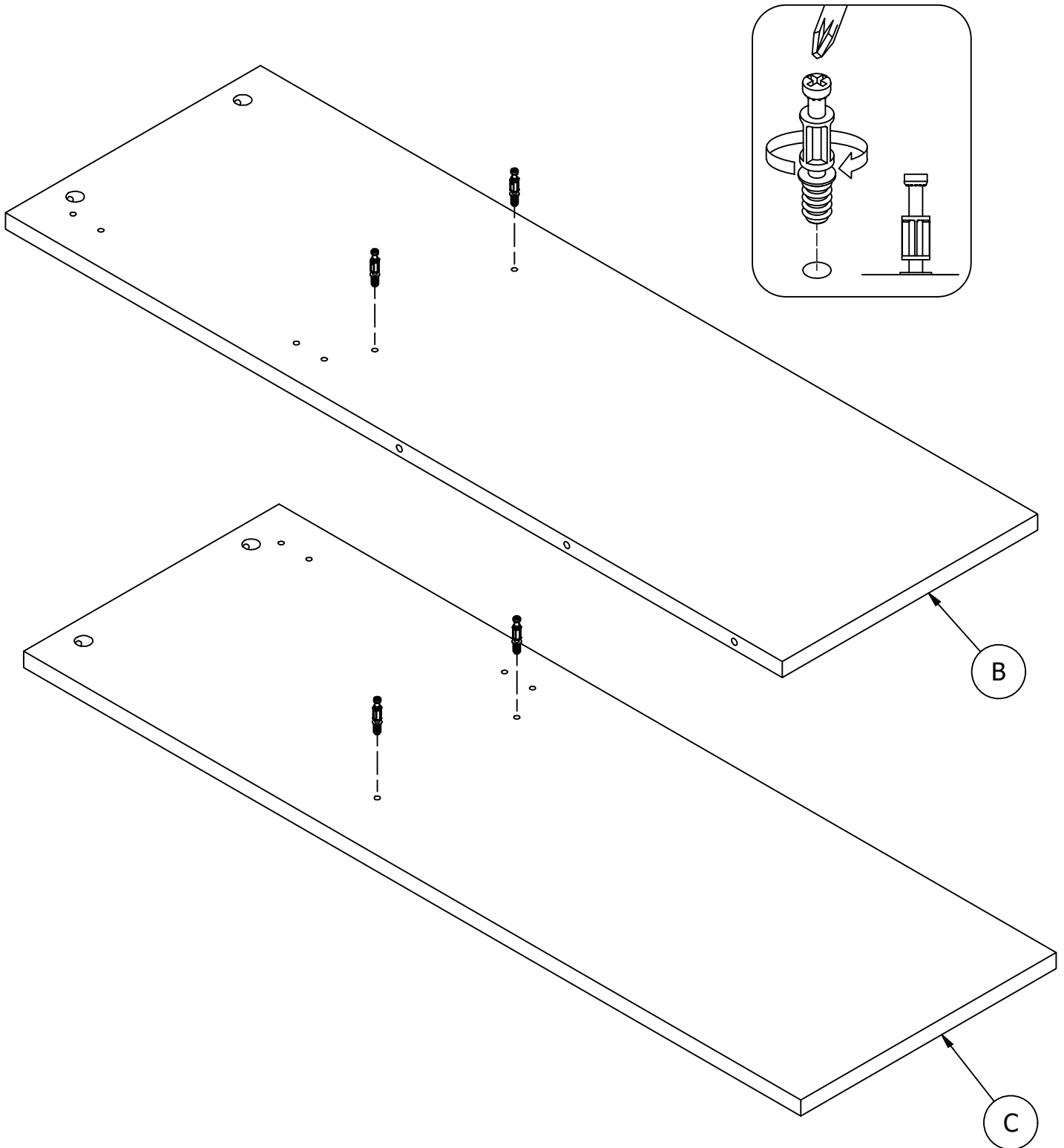
A177868G

H72988



[4]

KD Bolt

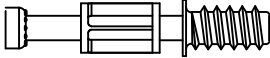


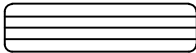
Have an assembly question or need a replacement part? Just call
1-800-950-4782, we are here to help.

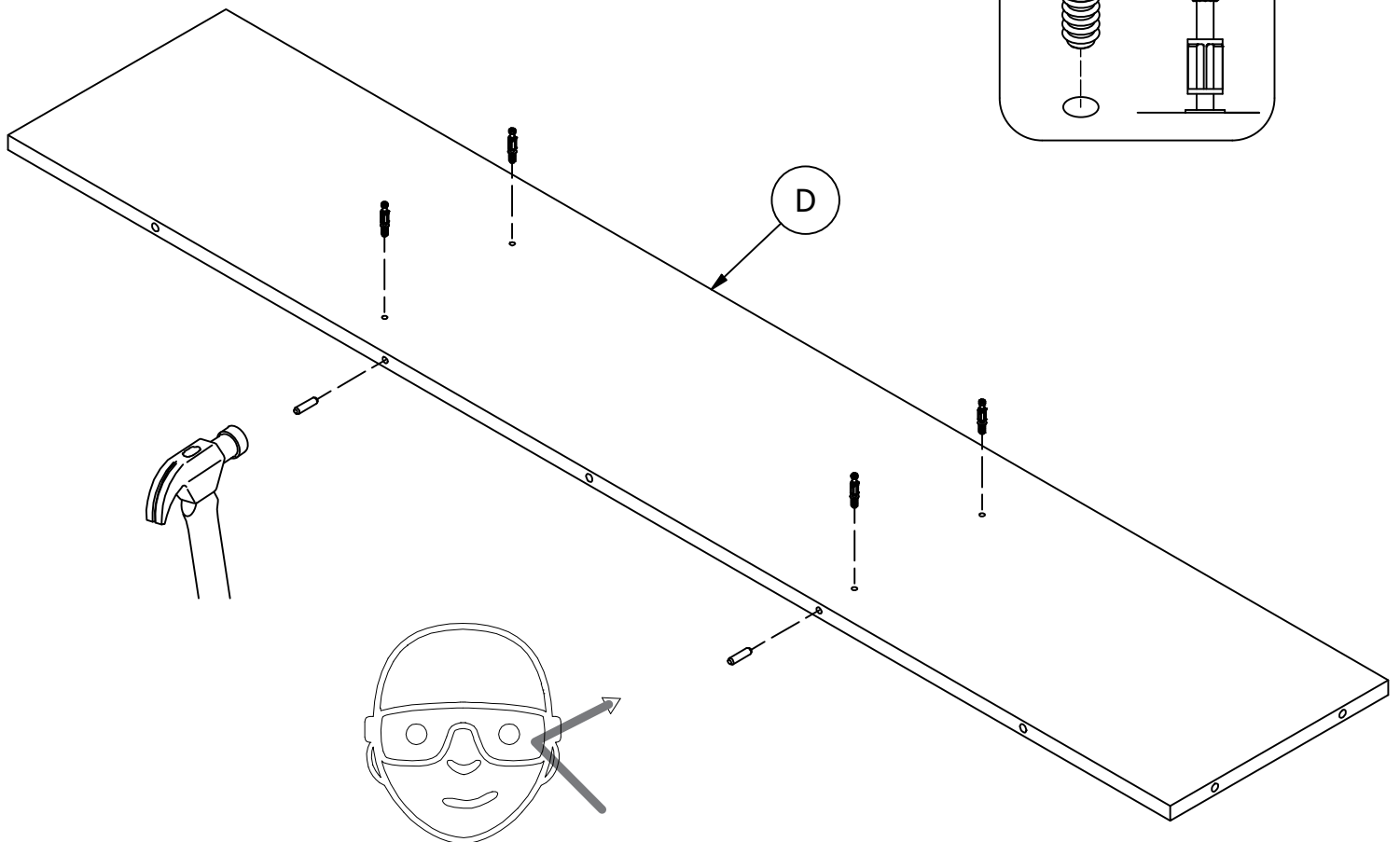
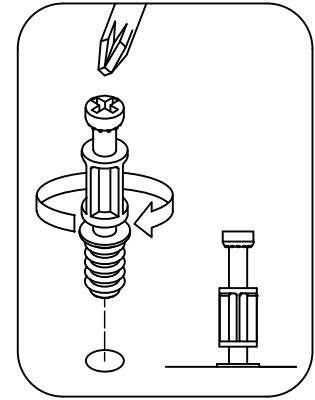
STEP 3

Prepare Panel

A177868G

H72988  [4]
KD Bolt

H27771  [2]
Wood Dowel 1/4 x 1



Safety glasses
Gafas de seguridad
Lunettes de protection

Have an assembly question or need a replacement part? Just call
1-800-950-4782, we are here to help.

STEP 4

Assemble Panel

A177868G

Scan QR Code to Watch Video on:



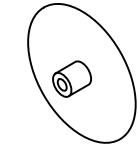
How to Tighten KD Cams

H181468US



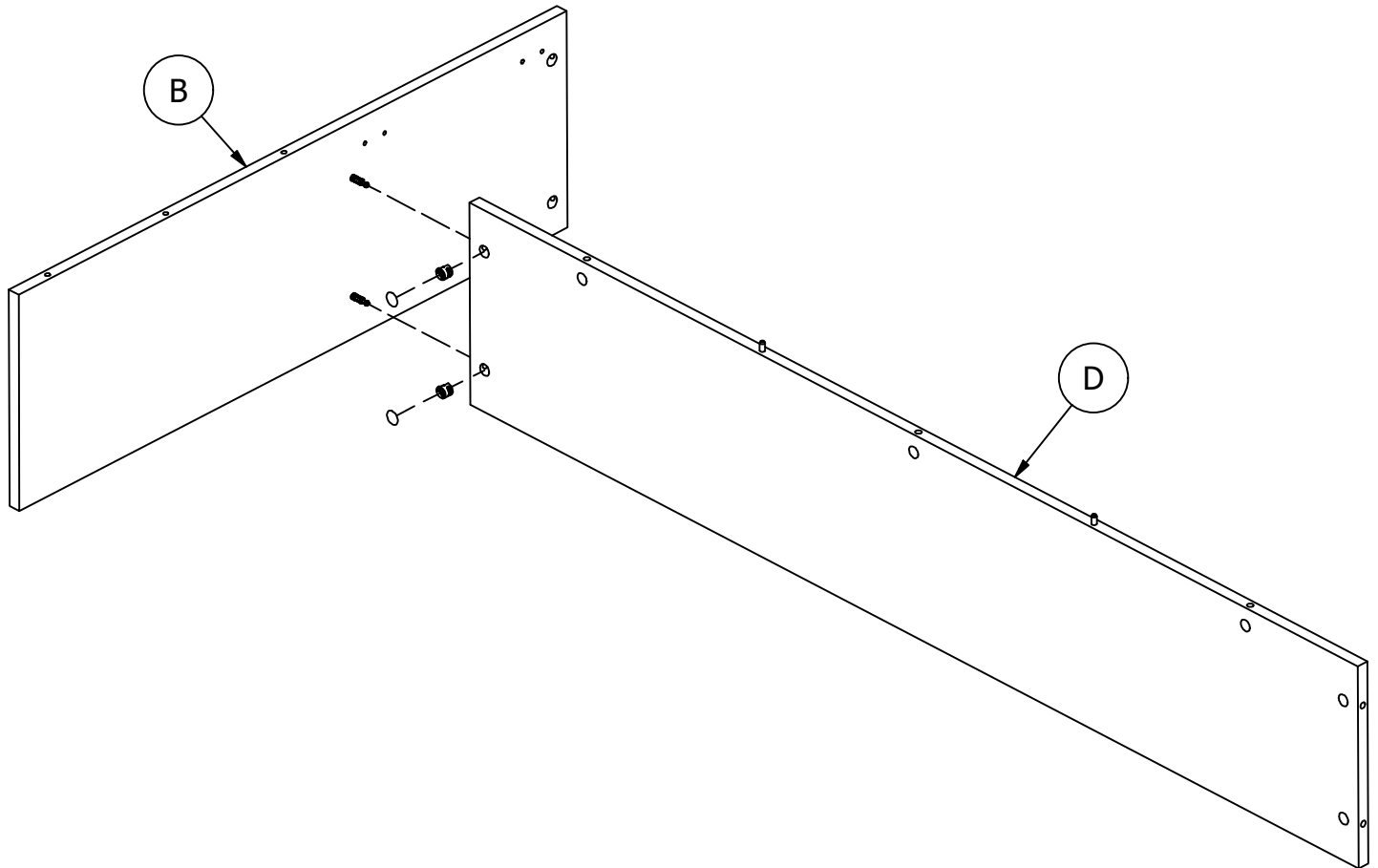
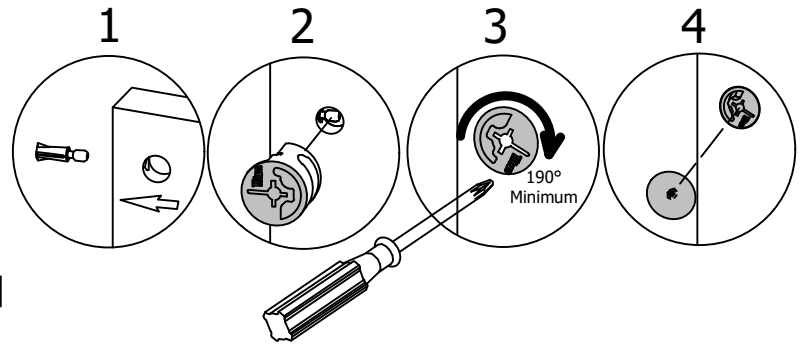
KD Cam3000

[2]



[2]

Cover Cap



Have an assembly question or need a replacement part? Just call **1-800-950-4782**, we are here to help.

STEP 5

Assemble Panels

A177868G

Scan QR Code to
Watch Video on:



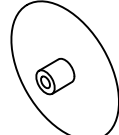
How to Tighten
KD Cams

H181468US



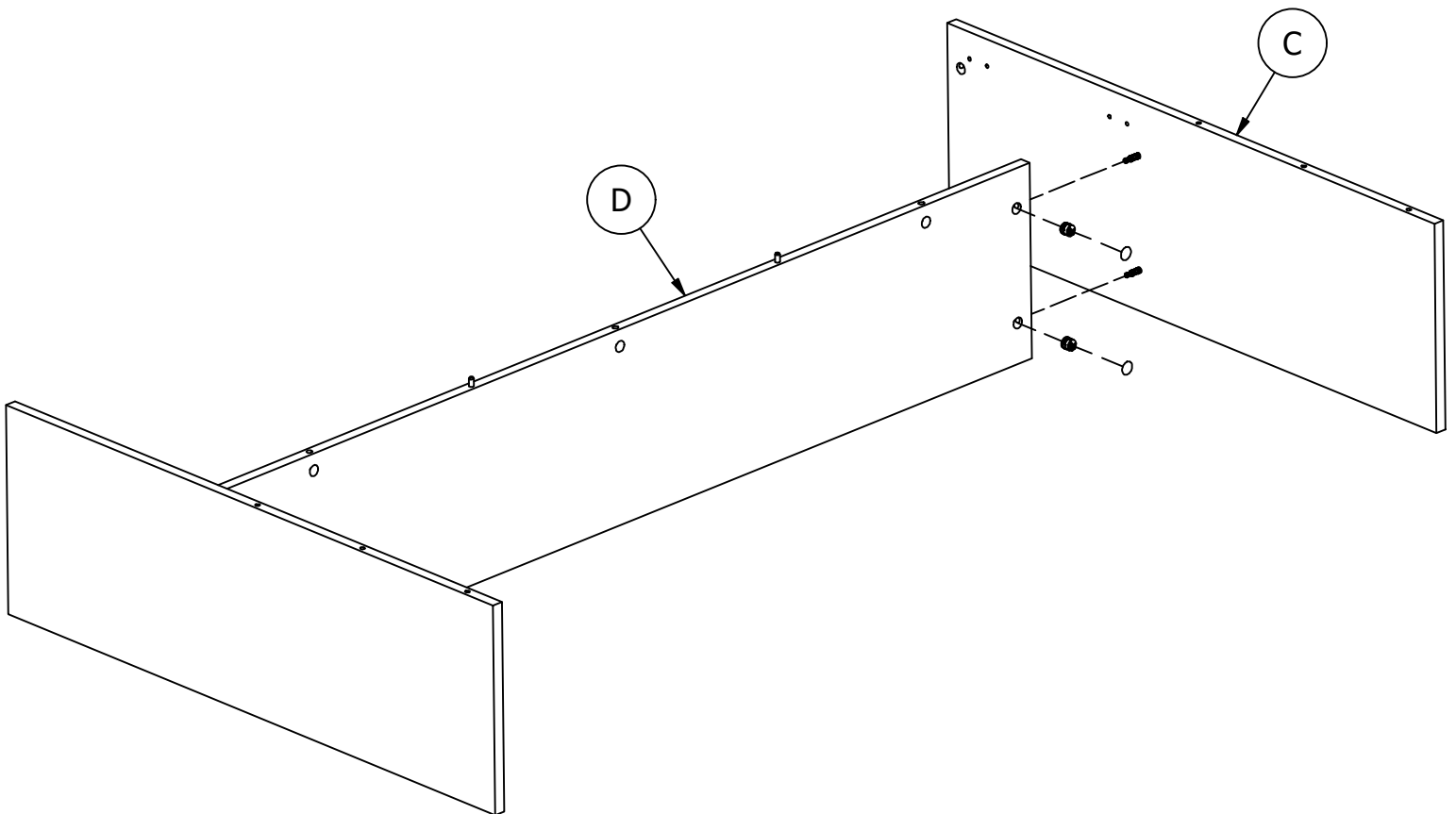
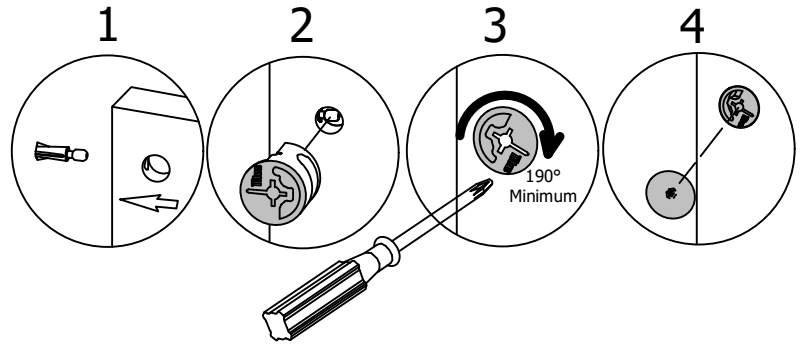
KD Cam3000

[2]



[2]

Cover Cap



Have an assembly question or need a replacement part? Just call
1-800-950-4782, we are here to help.

STEP 6

Assemble Panels

A177868G

Scan QR Code to Watch Video on:



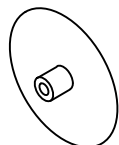
How to Tighten KD Cams

H181468US



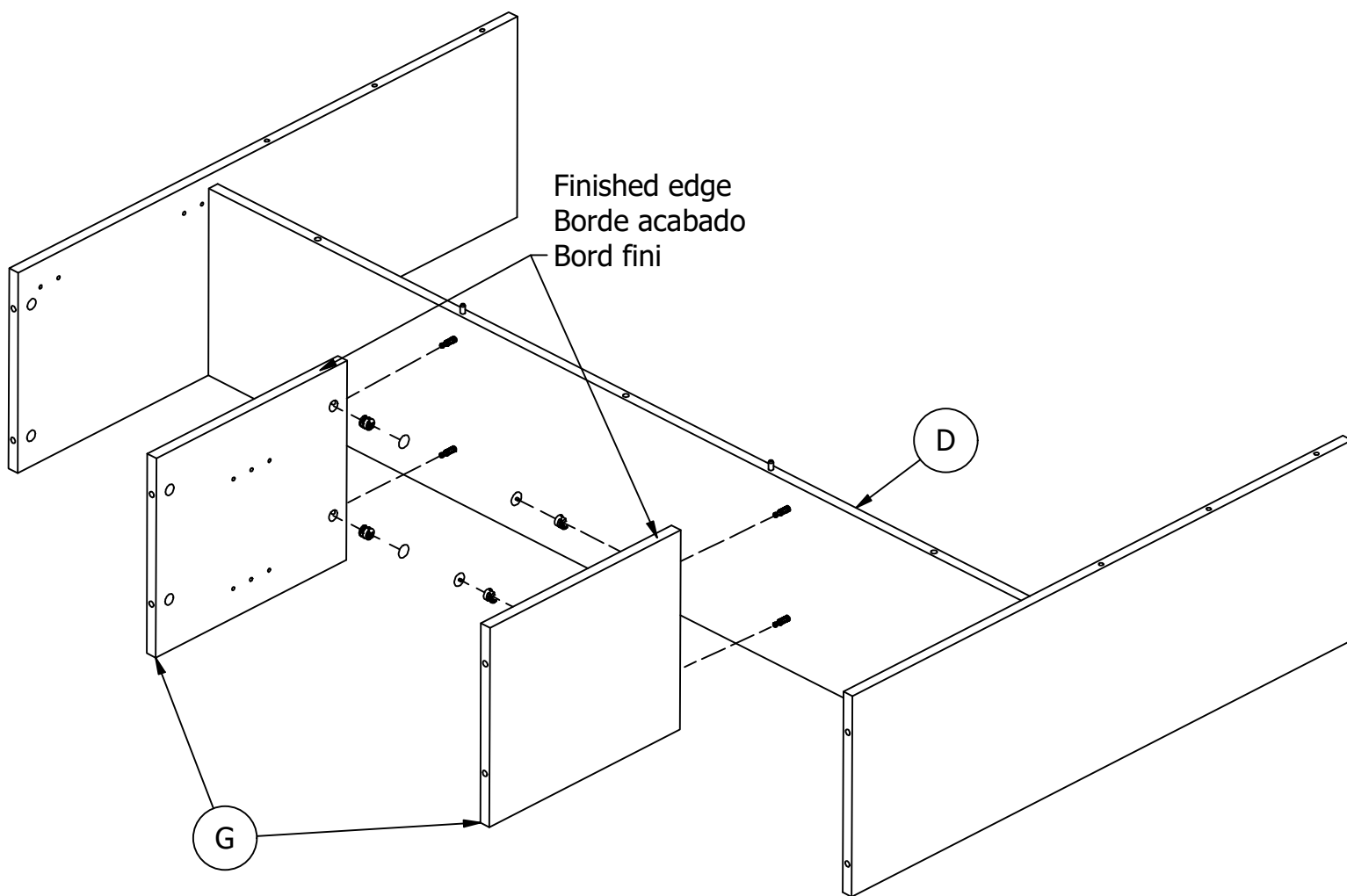
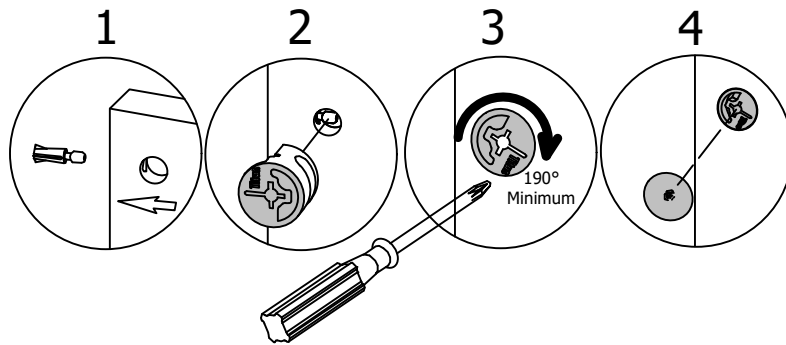
KD Cam3000

[4]



Cover Cap

[4]



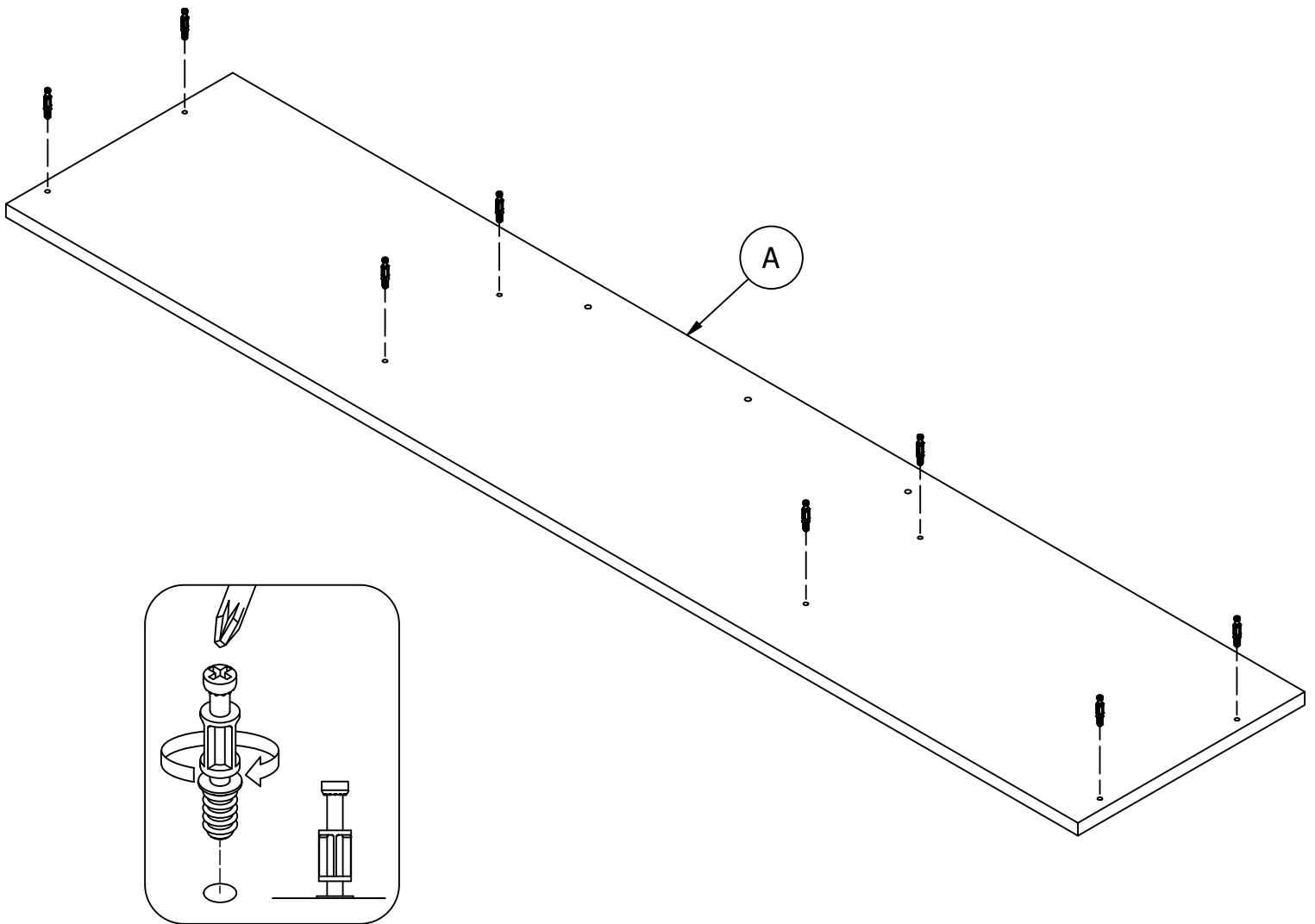
Have an assembly question or need a replacement part? Just call **1-800-950-4782**, we are here to help.

STEP 7

Prepare Panel

A177868G

H72988 [8]
KD Bolt

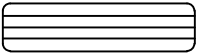


Have an assembly question or need a replacement part? Just call
1-800-950-4782, we are here to help.

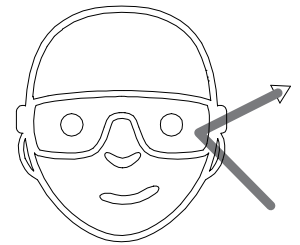
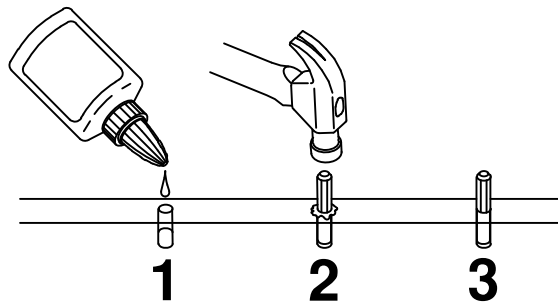
STEP 8

Assemble Panels

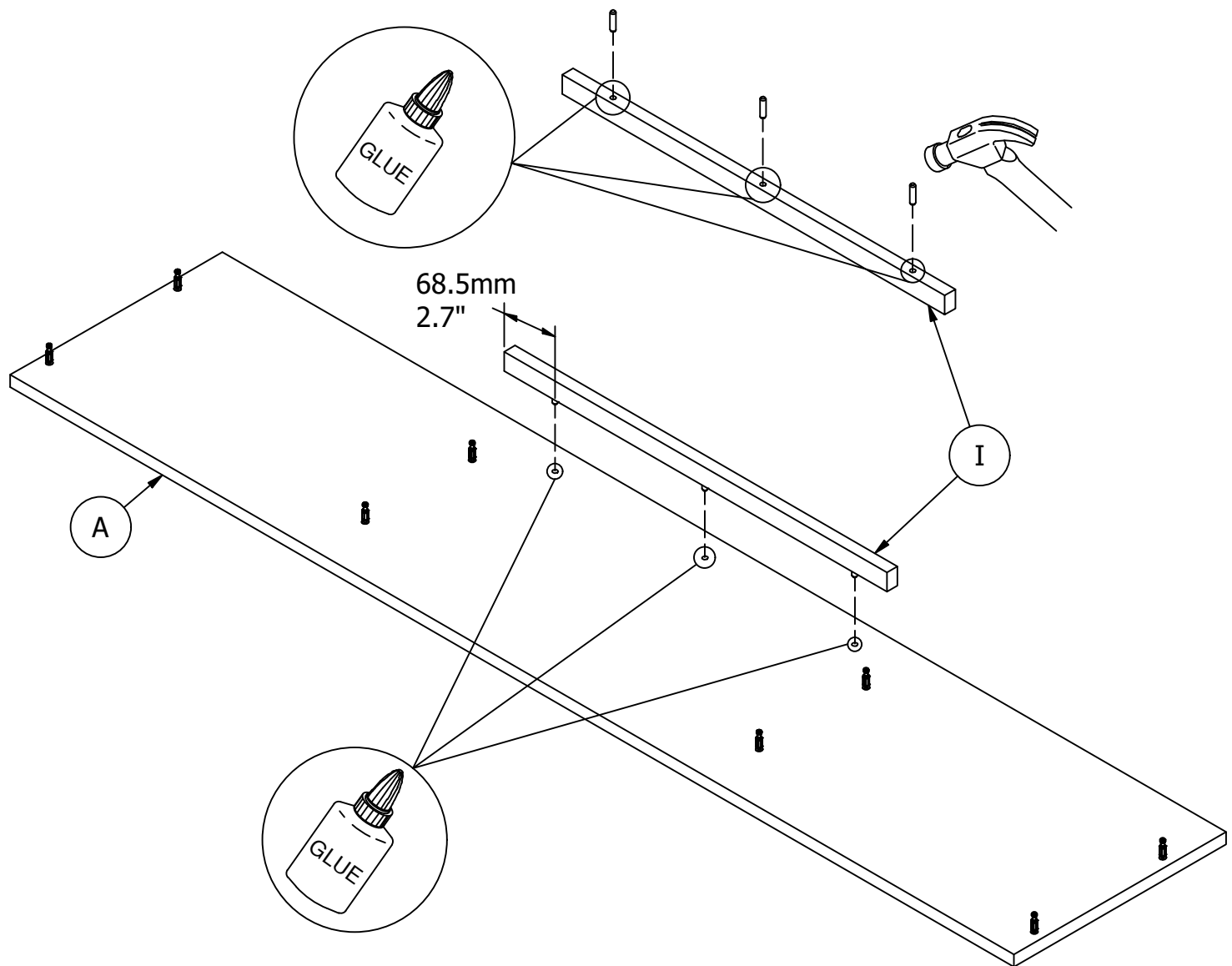
A177868G

H27771  [3]
Wood Dowel 1/4 x 1

H27145  [1]



Safety glasses
Gafas de seguridad
Lunettes de protection



Have an assembly question or need a replacement part? Just call
1-800-950-4782, we are here to help.

STEP 9

Assemble Panels

A177868G

Scan QR Code to Watch Video on:

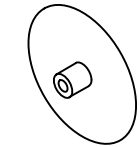


How to Tighten KD Cams

H181468US

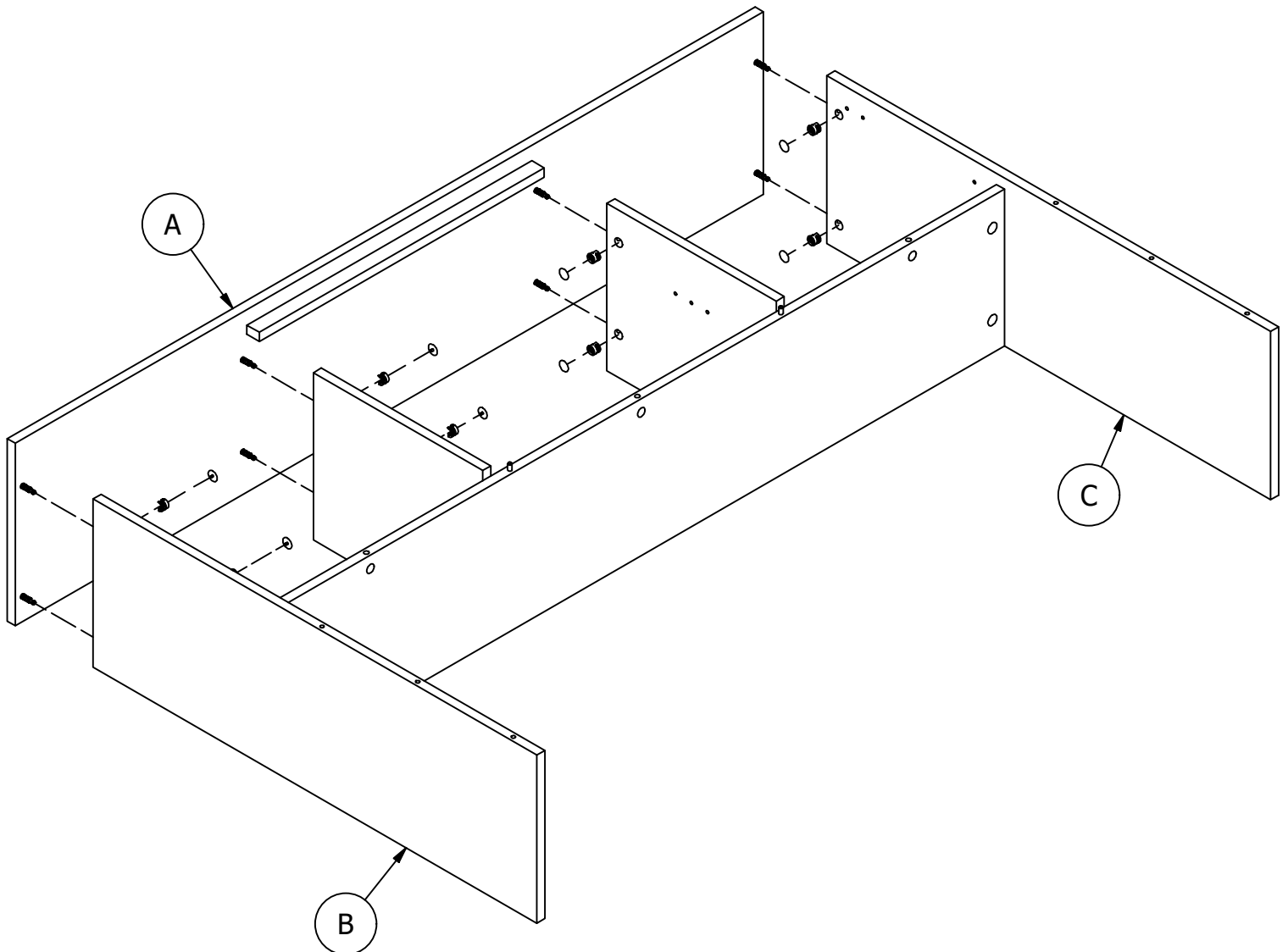
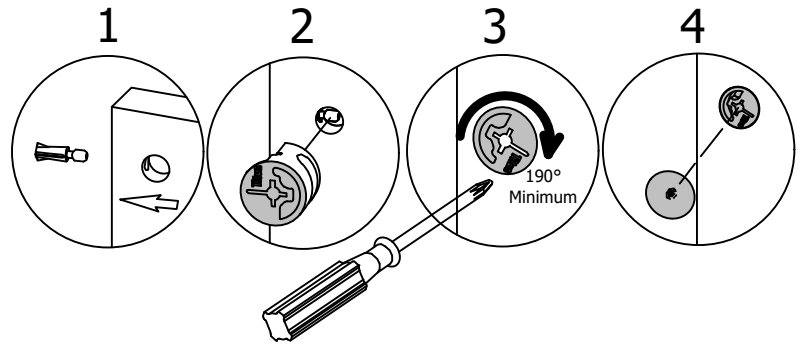


[8]



[8]

Cover Cap



Have an assembly question or need a replacement part? Just call **1-800-950-4782**, we are here to help.

STEP 10

Prepare/Attach Rail

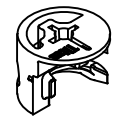
A177868G

Scan QR Code to Watch Video on:



How to Tighten KD Cams

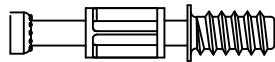
H181468US



KD Cam3000

[3]

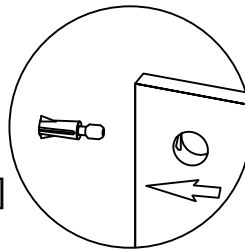
H72988



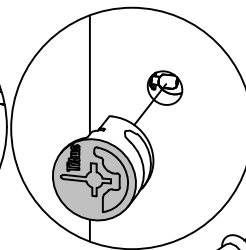
KD Bolt

[3]

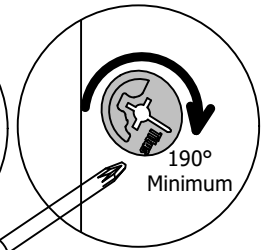
1



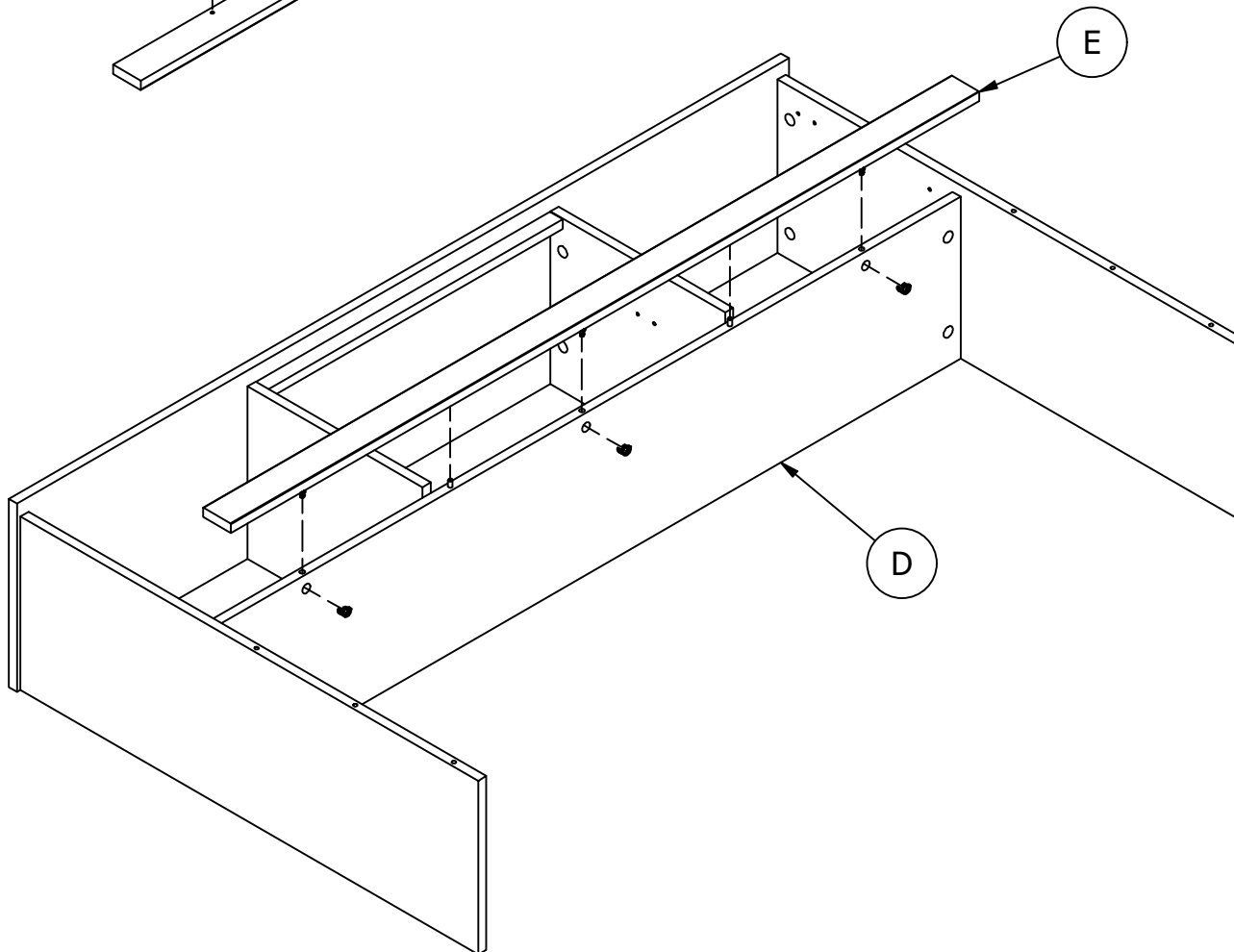
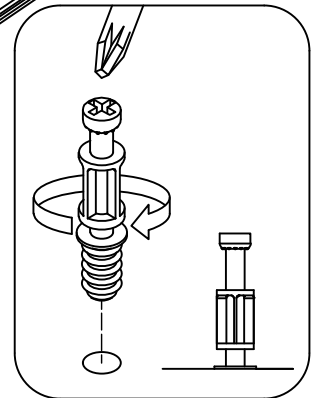
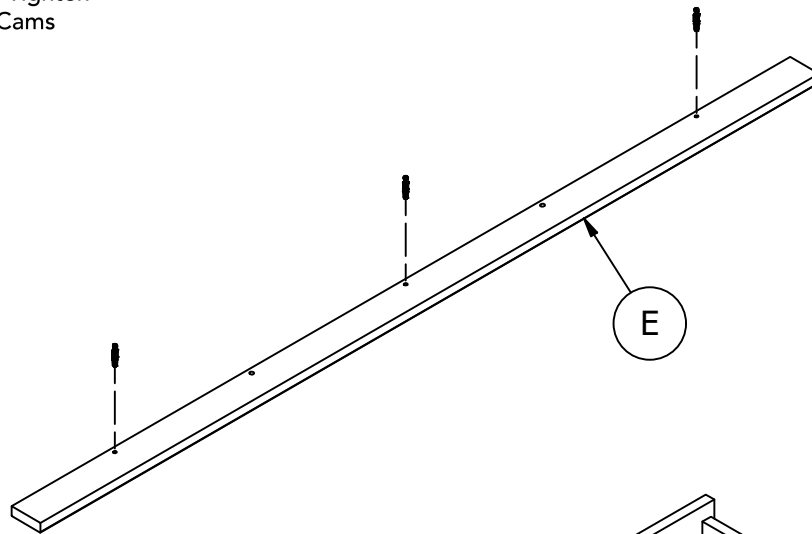
2



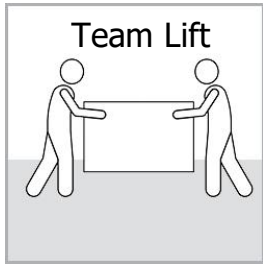
3



190° Minimum

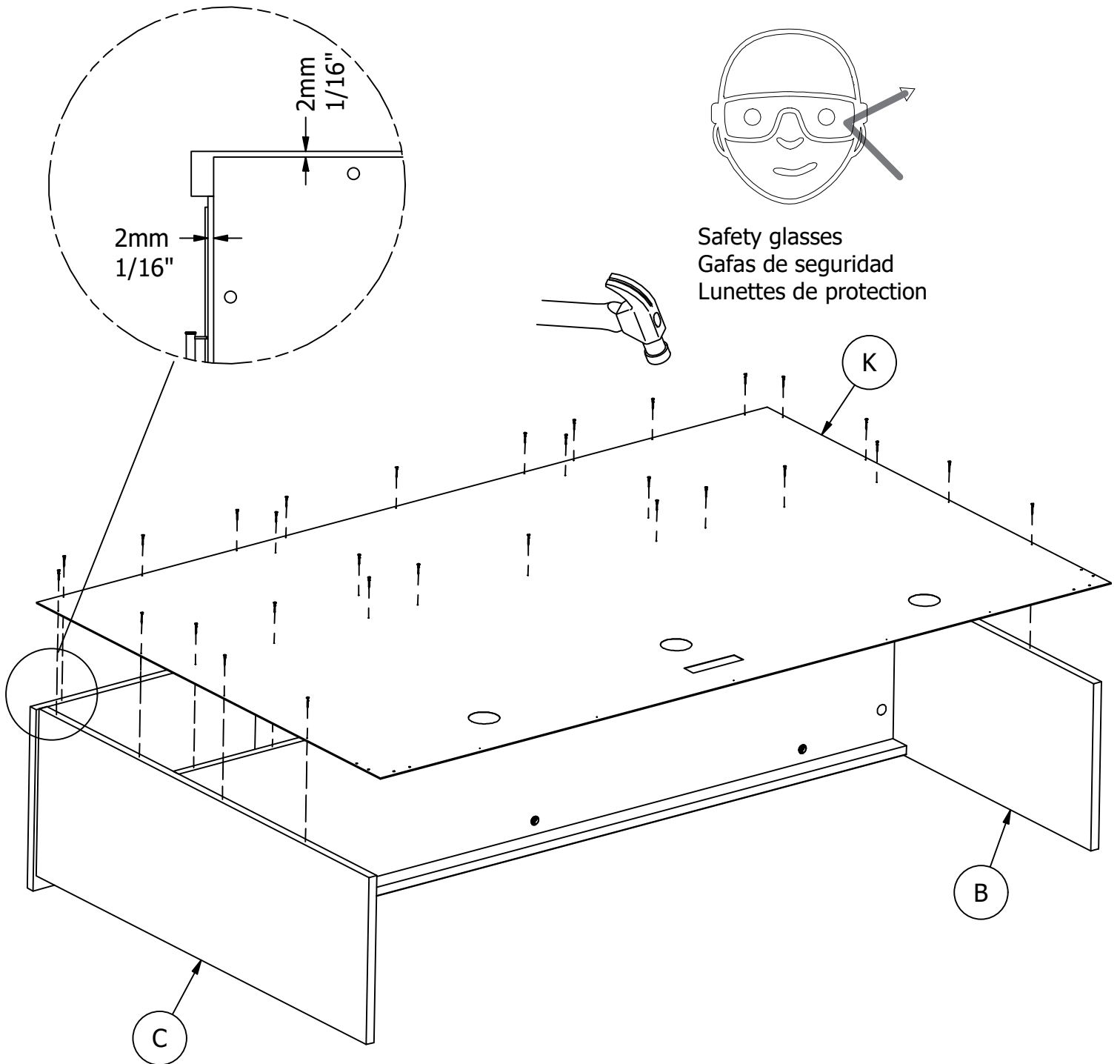


Have an assembly question or need a replacement part? Just call **1-800-950-4782**, we are here to help.



Q85389  [30]
Nail 19mm

With assistant, carefully flip unit over.
Con el asistente, voltee cuidadosamente la unidad.
Avec l'assistant, retourner soigneusement l'unité.



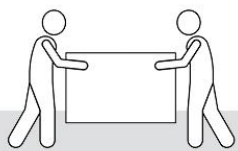
Have an assembly question or need a replacement part? Just call
1-800-950-4782, we are here to help.

STEP 12

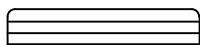
Assemble Rail

A177868G

Team Lift



H27771



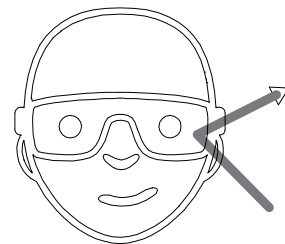
Wood Dowel 1/4 x 1

[6]

H27145



[1]

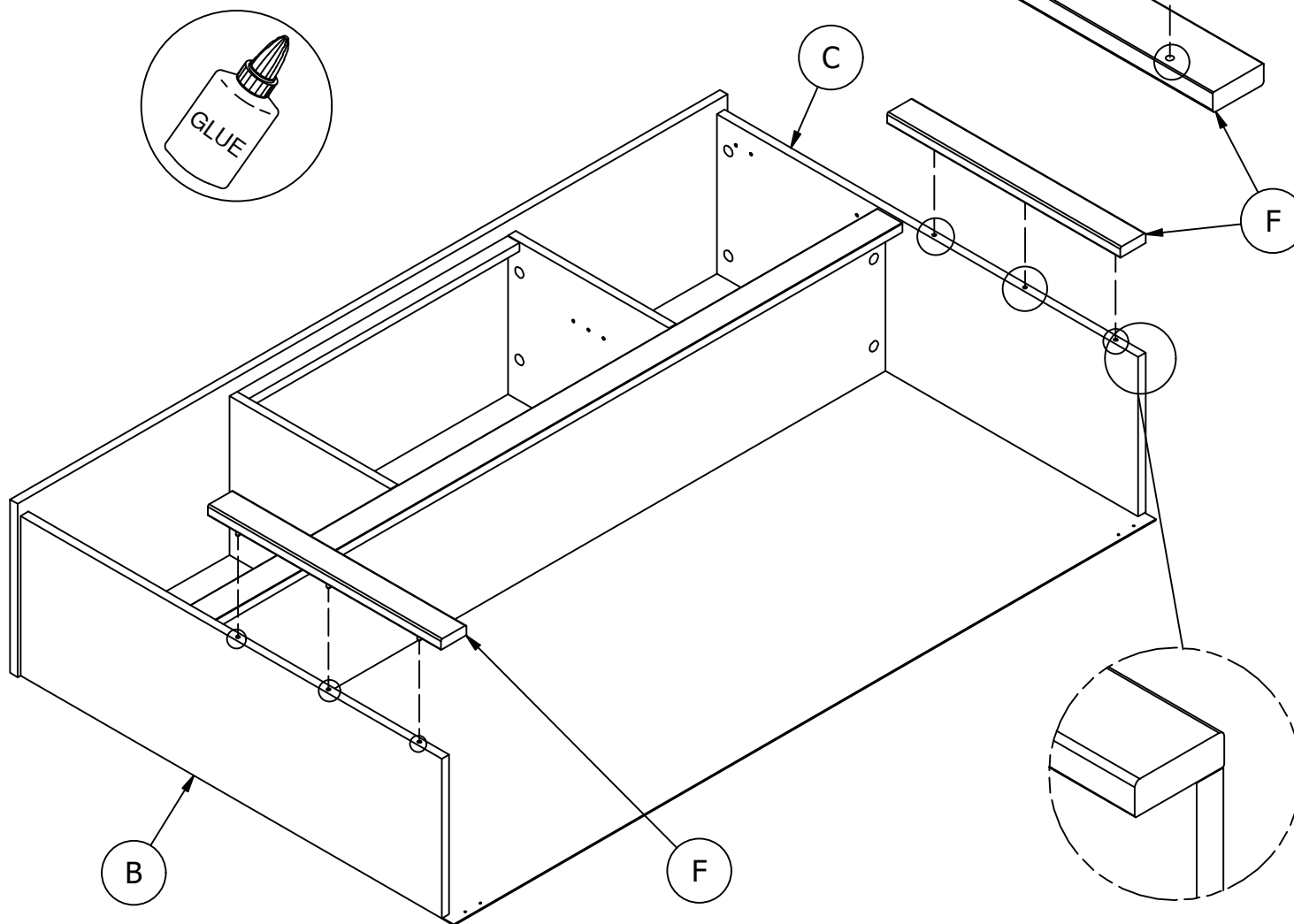
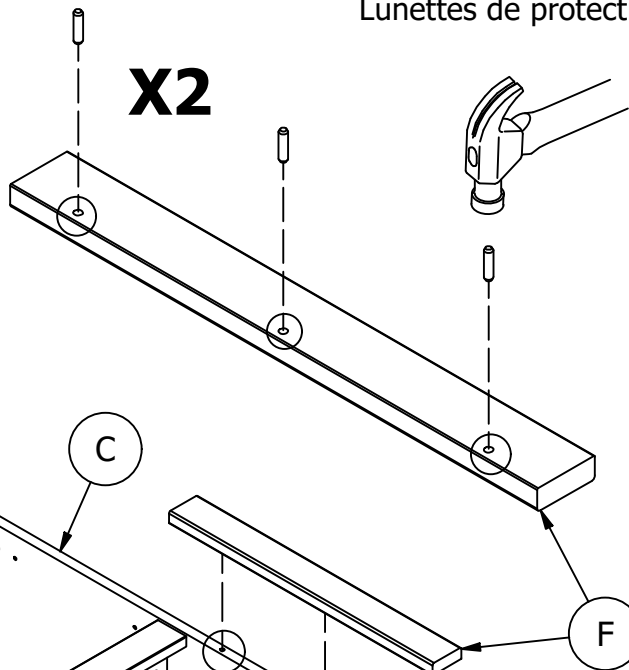
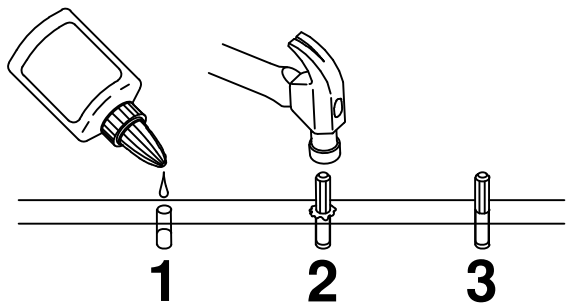


With assistant, carefully flip unit over.

Con el asistente, voltee cuidadosamente la unidad.

Avec l'assistant, retourner soigneusement l'unité.

Safety glasses
Gafas de seguridad
Lunettes de protection

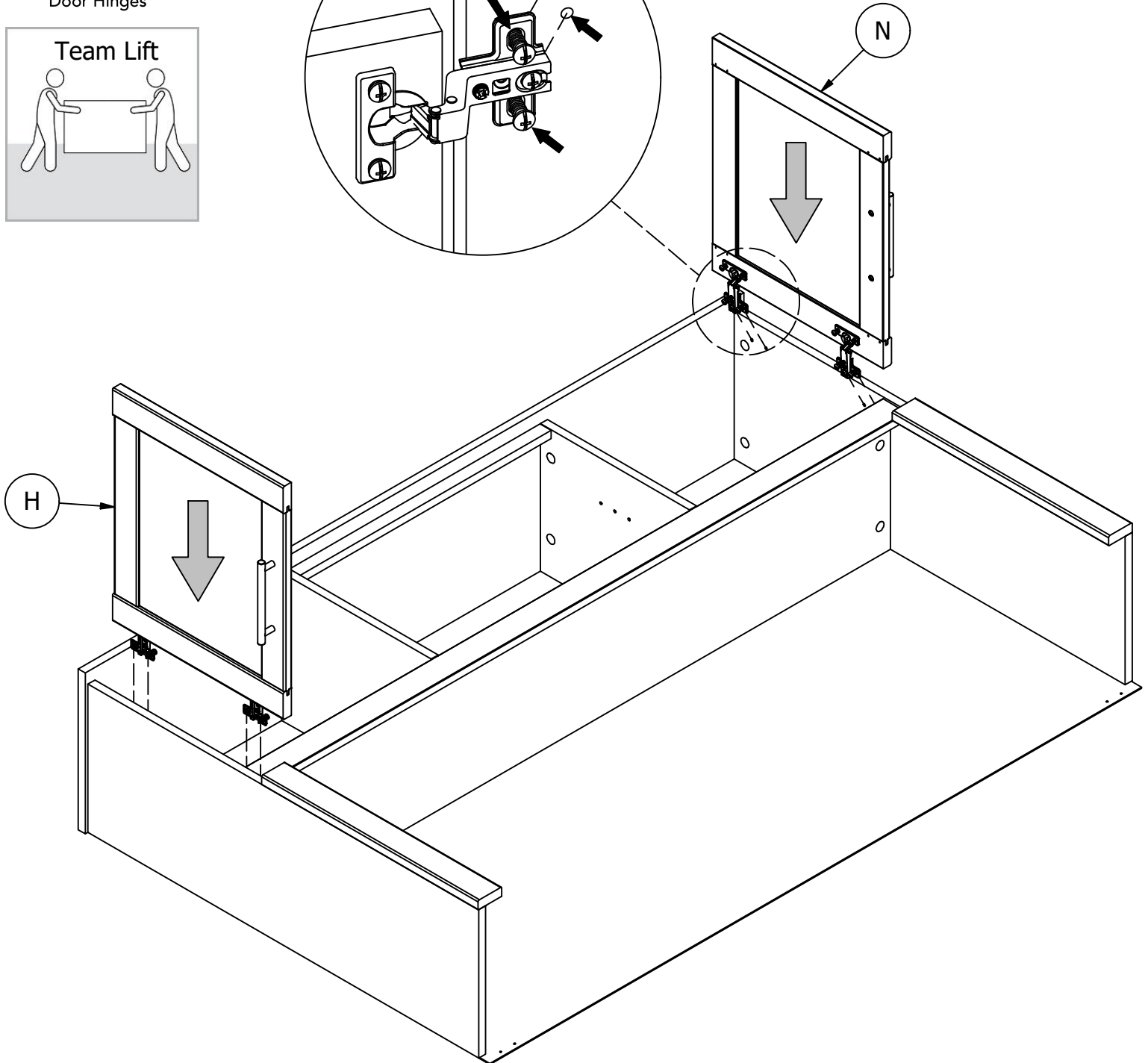
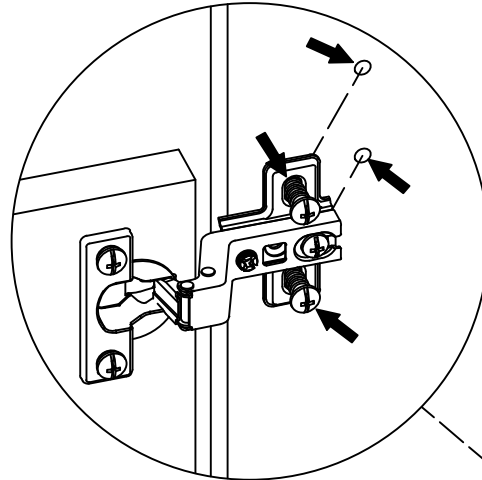
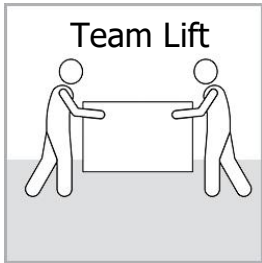


Have an assembly question or need a replacement part? Just call
1-800-950-4782, we are here to help.

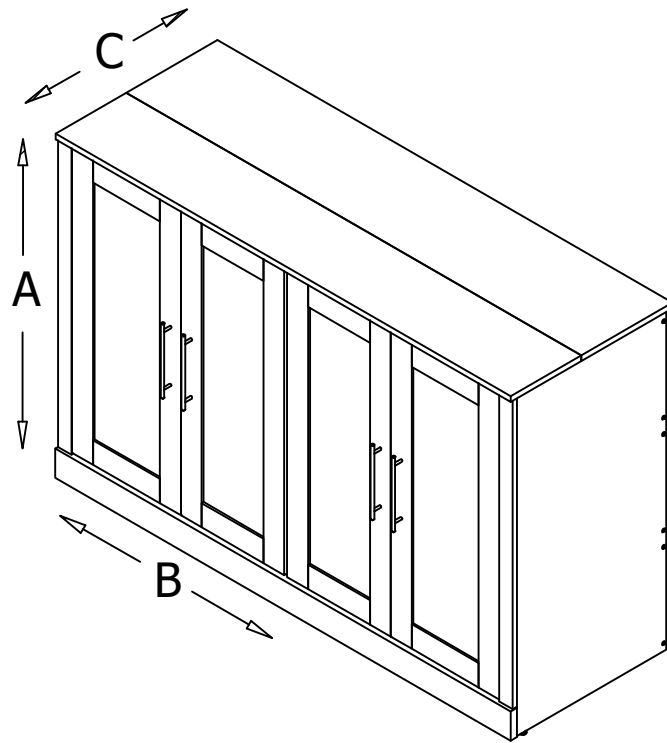
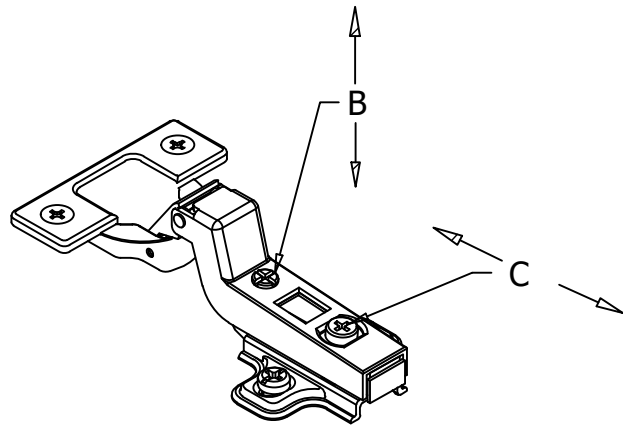
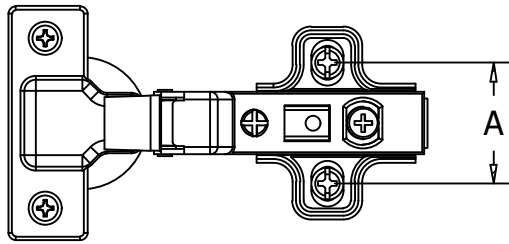
Scan QR Code to Watch Video on:



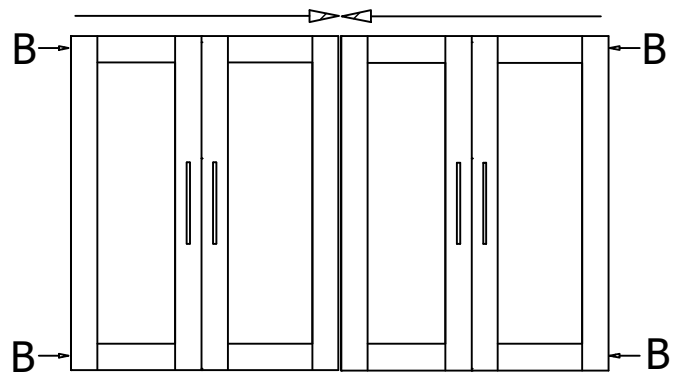
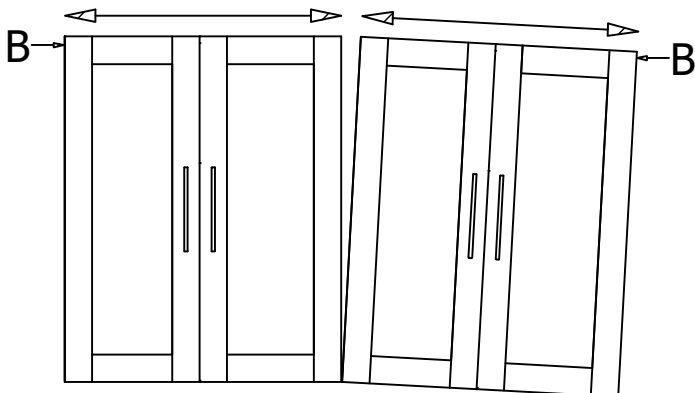
How to Adjust Door Hinges



Have an assembly question or need a replacement part? Just call **1-800-950-4782**, we are here to help.



Door Adjustment
Ajustement des portes
Ajuste de la puerta

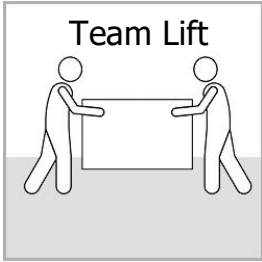



Have an assembly question or need a replacement part? Just call
1-800-950-4782, we are here to help.

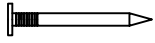
STEP 15

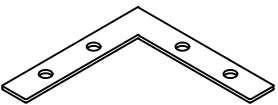
Attach Hutch

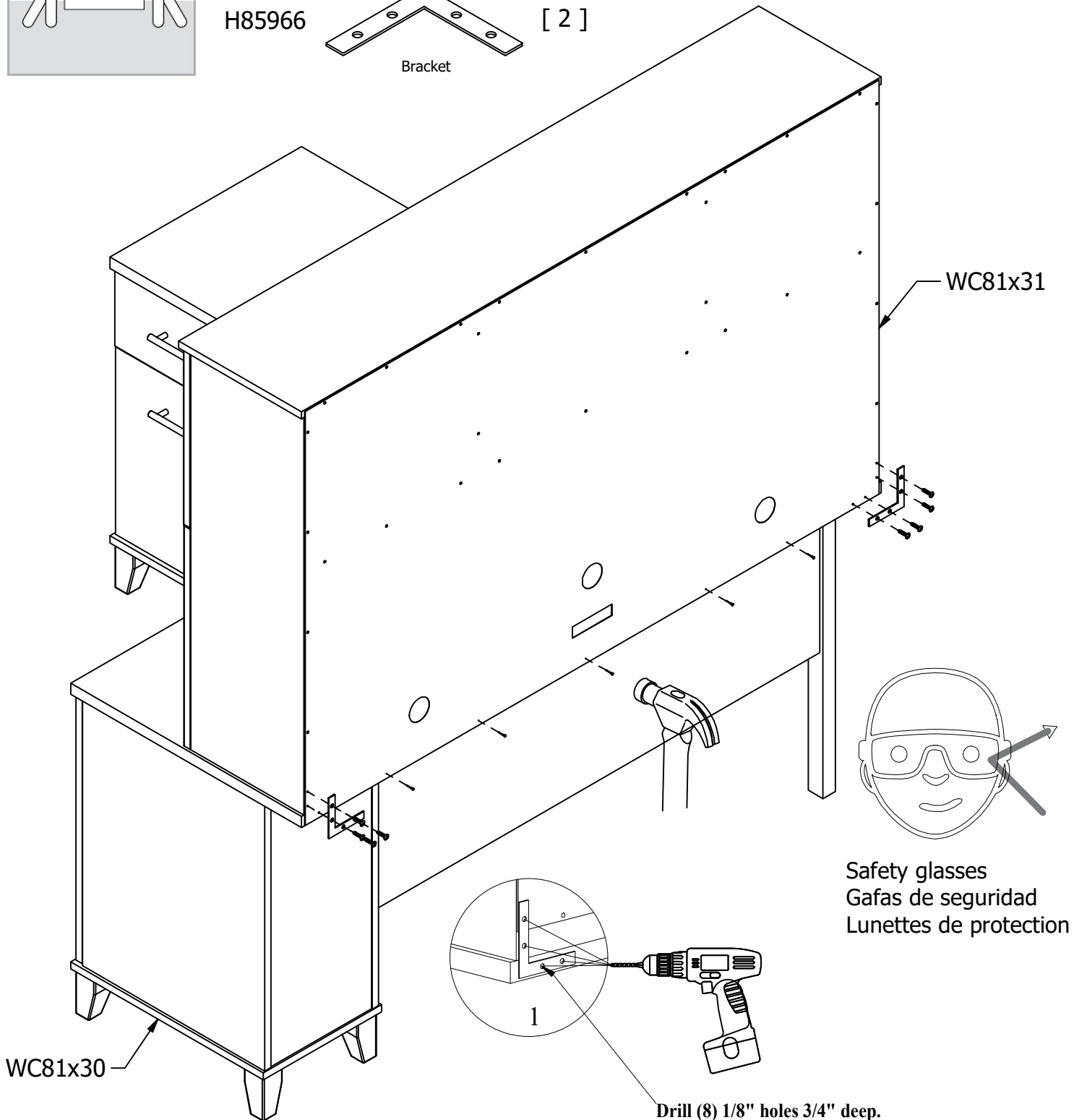
A177868G



H23682  [8]
#10 x 1"

Q85389  [5]
Nail 19mm

H85966  [2]
Bracket



Safety glasses
Gafas de seguridad
Lunettes de protection

Drill (8) 1/8" holes 3/4" deep.
Perfore (8) agujeros de 3mm a 19mm de profundo.
Percer (8) trous de 3mm de diamètre et 19mm de profondeur.

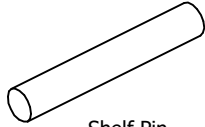
Have an assembly question or need a replacement part? Just call
1-800-950-4782, we are here to help.

STEP 16

Insert Adjustable Shelf

A177868G

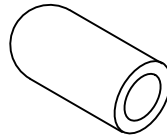
H23604



Shelf Pin

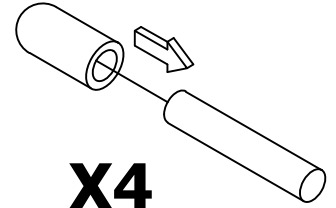
[4]

H126396

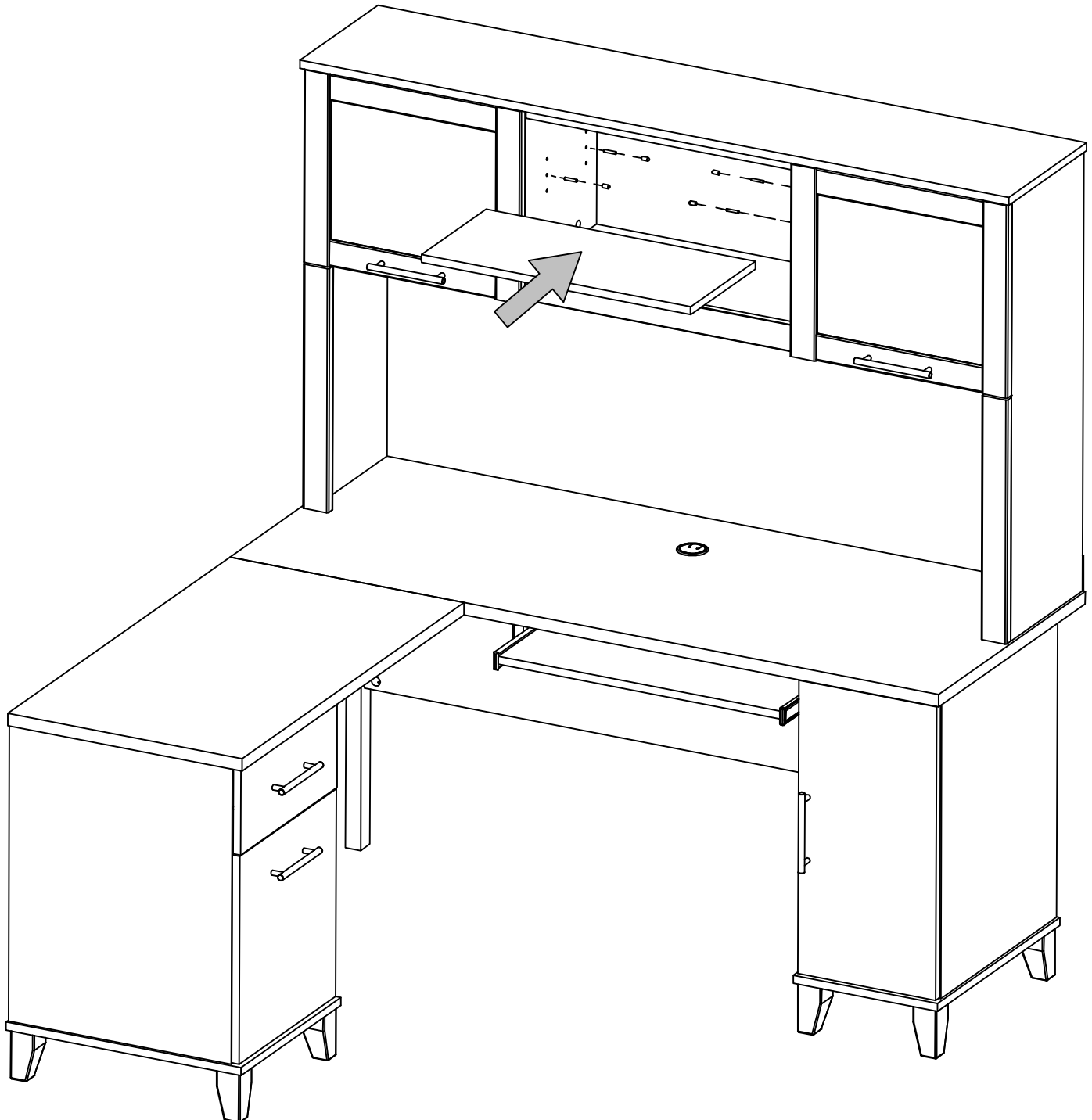


Shelf Pin Sleeve

[4]



X4



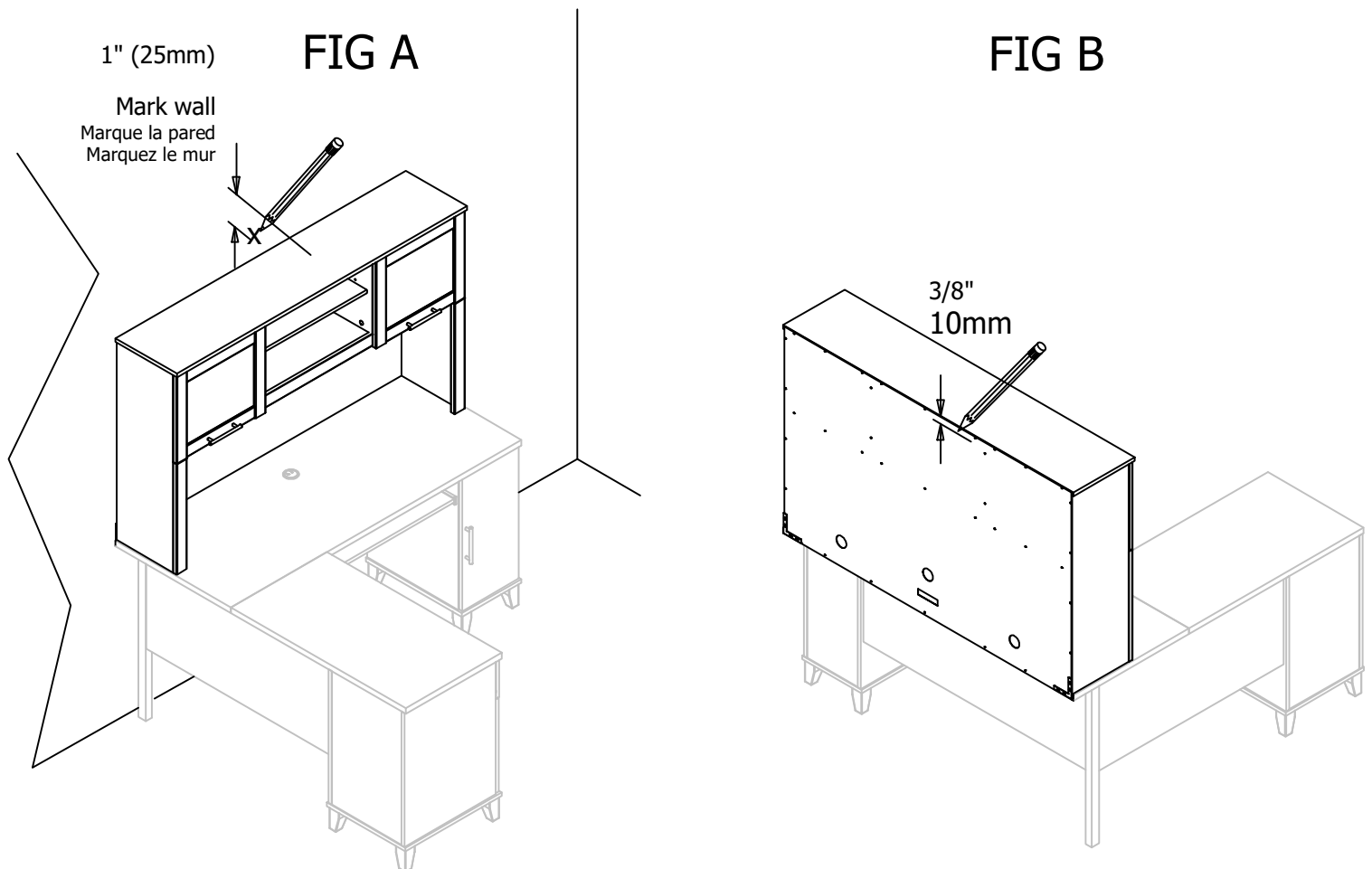
Have an assembly question or need a replacement part? Just call
1-800-950-4782, we are here to help.

Secure unit to the wall with a tip-over restraint.
 Unidad de seguro a la pared con un sistema de retención de un vuelco.
 Fixer l'unité au mur avec un dispositif de retenue renversement.

1. Place unit in desired location.
2. Locate wall stud nearest unit center. **FIG A**
3. On wall, mark center of stud location 1" below top of unit. **FIG A**
4. If a wall stud cannot be located mark hollow wall at unit center. **FIG A**
5. On back of unit, mark corresponding location 3/8" below top of unit. **FIG B**

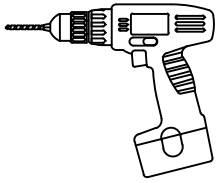
1. Coloque la unidad en el lugar deseado.
2. Localice pie derecho de pared centro de unidad más próxima.
3. En la pared del, marque el centro de la ubicación del montante 1 "abajo la parte superior de la unidad.
4. Si un poste de la pared no se puede localizar marcar pared hueca en el centro de la unidad.
5. En el dorso de la unidad, marque la ubicación 3/8 correspondiente abajo la parte superior de la unidad.

1. Placez l'unité à l'endroit désiré.
2. Localiser centre d'unité la plus proche de la paroi Stud.
3. Sur le mur, centre de emplacement du montant 1 "ci-dessous dessus de l'appareil de la marque.
4. Si un montant de mur ne peut pas être situé marquer mur creux au centre de l'unité.
5. Le dos de l'appareil, marquer l'emplacement 3/8 correspondant ci-dessous dessus de l'appareil.

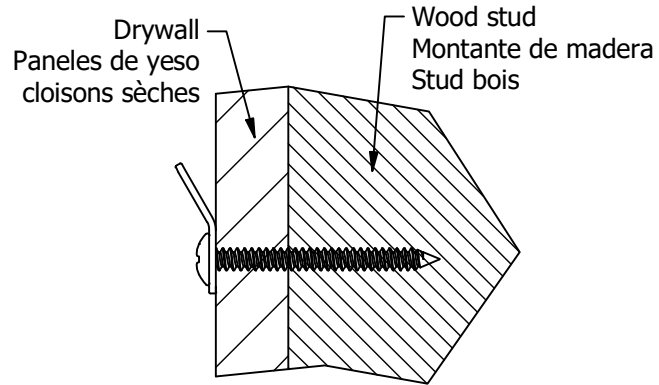
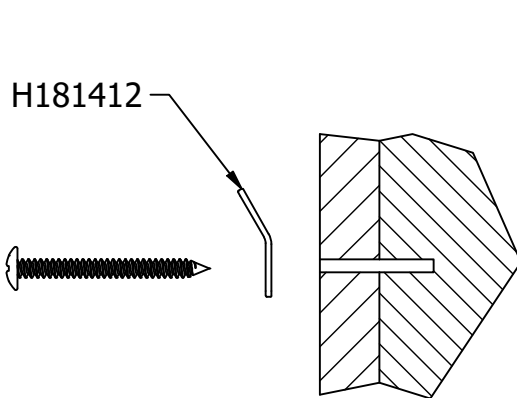
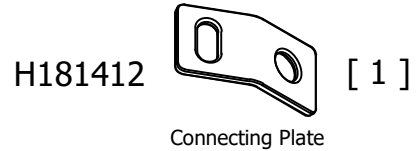
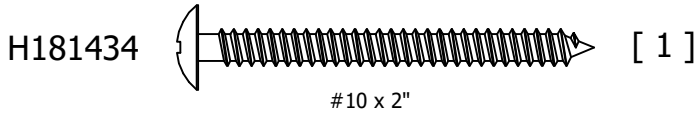


Have an assembly question or need a replacement part? Just call
1-800-950-4782, we are here to help.

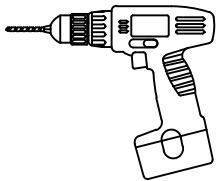
WALL STUD ATTACHMENT



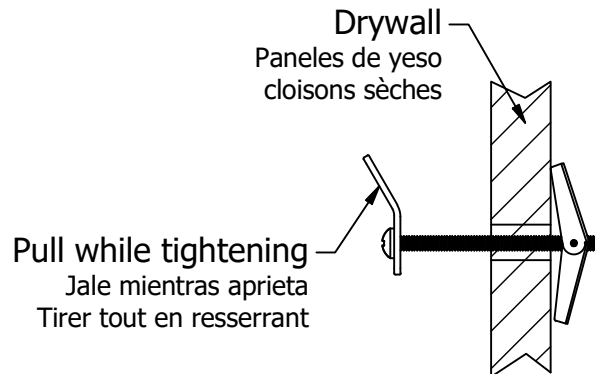
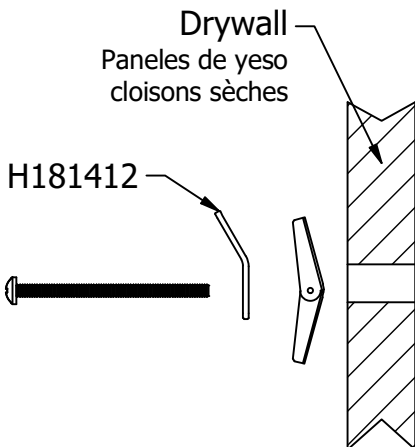
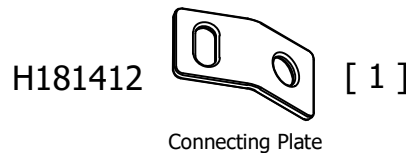
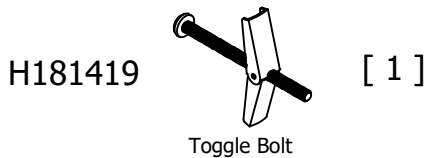
Drill 1/8" hole 2" deep at mark on wall.
 Taladro 1/8 "agujero 2" de profundidad en la marca en la pared.
 Percer 1/8 "trou de 2" de profondeur à la marque sur le mur.



HOLLOW WALL ATTACHMENT

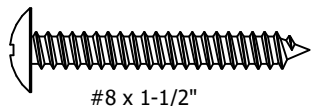


Drill 1/2" hole 1" deep at mark on wall.
 Taladro 1/2 "agujero 1" de profundidad en la marca en la pared.
 Percer 1/2 "trou de 1" de profondeur à la marque sur le mur.



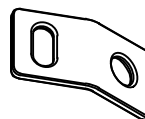
Have an assembly question or need a replacement part? Just call
1-800-950-4782, we are here to help.

H107572



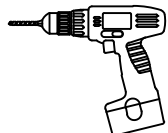
[1]

H181412

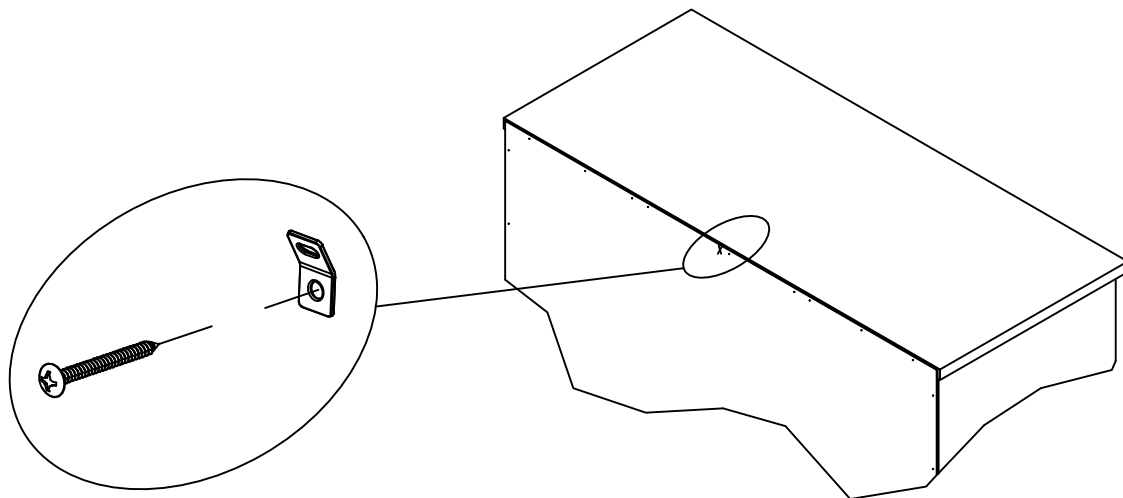


[1]

Connecting Plate



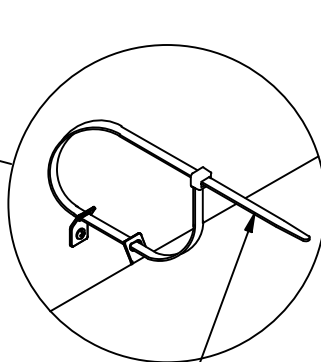
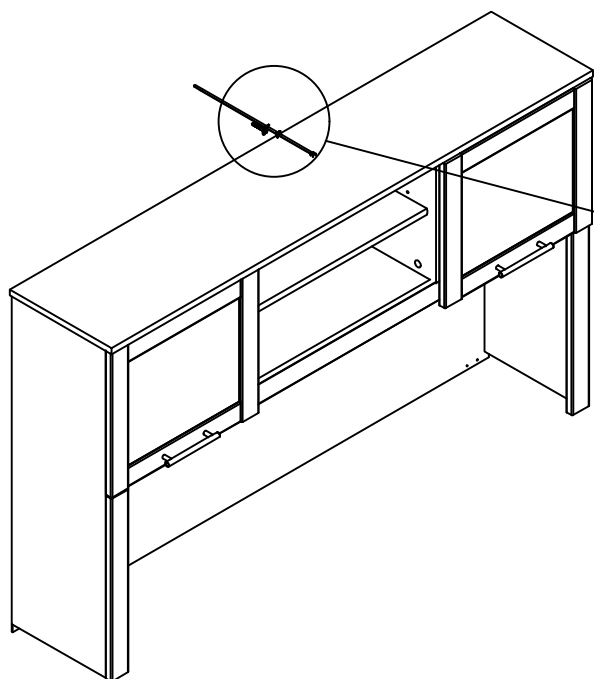
Drill 1/8" hole 1" deep at mark on unit.
 Taladro 1/8 "agujero de 1" de profundidad en la marca de la unidad.
 Percer 1/8 "trou 1" de profondeur à la marque sur l'unité.



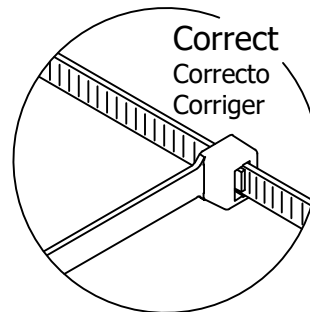
H181411

Nylon Cable Tie

[1]



Pull to verify lock
 Tire para verificar cerradura
 Tirez pour vérifier serrure



Use replacement cable tie with minimum breaking strength of 120lbs.
 Utilice reemplazo empate Cable con resistencia a la rotura mínima de 120 libras.
 Utilisez remplacement Attache de câble avec une force de rupture minimale de 120 lbs.

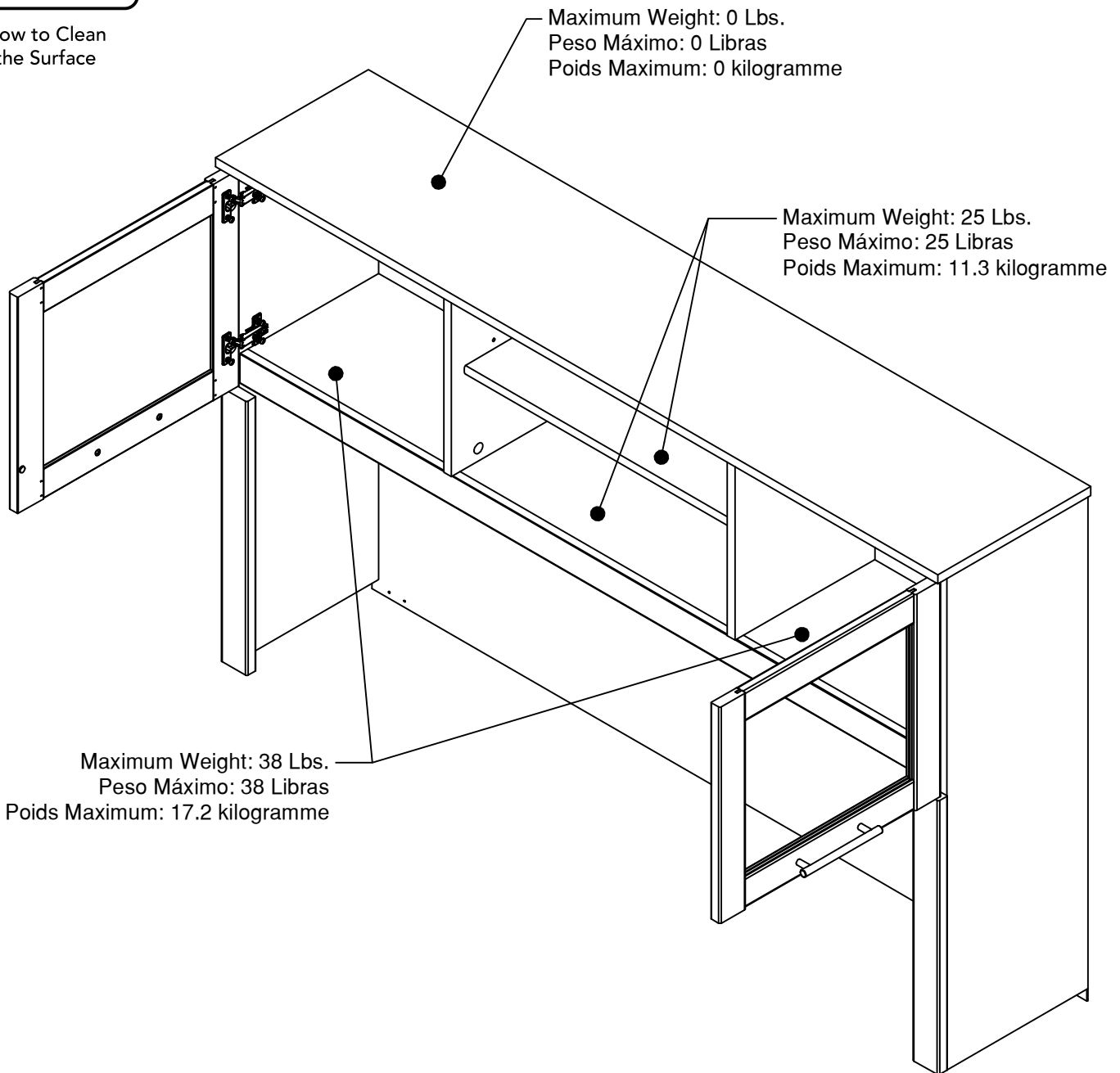
Have an assembly question or need a replacement part? Just call
1-800-950-4782, we are here to help.

Scan QR Code to Watch Video on:



How to Clean the Surface

Gently clean surfaces with a damp sponge eraser.



Congratulations! You are all done. If you have any questions or concerns, please call.

Have an assembly question or need a replacement part? Just call **1-800-950-4782**, we are here to help.

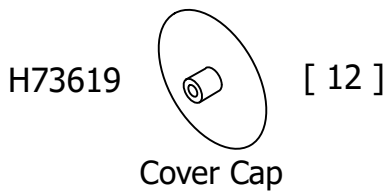
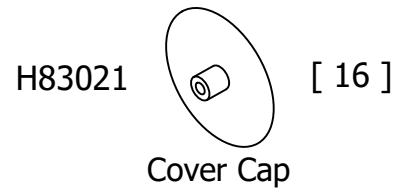
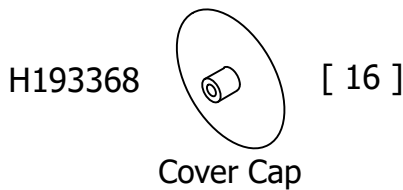
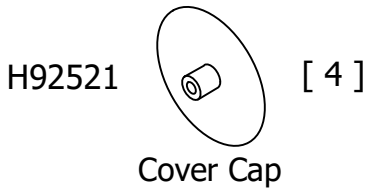
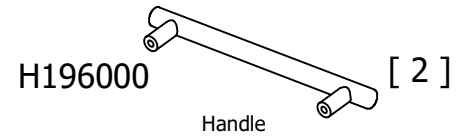
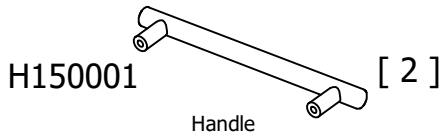
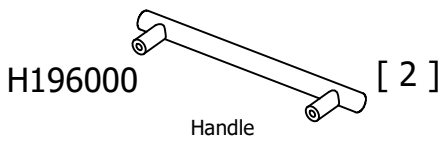
PARTS LIST

A177868G

WC81031		
LABEL	QTY	NUMBER
A	1	W196087
B	1	W196088
C	1	W196089
D	1	W193887
E	1	W196091
F	2	W196061
G	2	W196092
H	1	S220709
I	1	W196093
J	1	W193893
K	1	W193894
N	1	S220710

WC81131		
LABEL	QTY	NUMBER
A	1	W200499
B	1	W200500
C	1	W200501
D	1	W200502
E	1	W200503
F	2	W200473
G	2	W200504
H	1	S220711
I	1	W200505
J	1	W200506
K	1	W200507
N	1	S220712

WC81231		
LABEL	QTY	NUMBER
A	1	W195880
B	1	W195881
C	1	W195882
D	1	W195883
E	1	W195884
F	2	W195854
G	2	W195885
H	1	S220713
I	1	W195886
J	1	W195887
K	1	W195888
N	1	S220714



Have an assembly question or need a replacement part? Just call
1-800-950-4782, we are here to help.

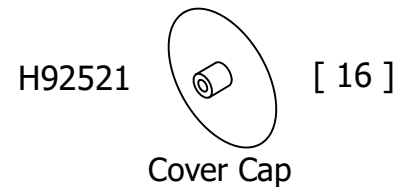
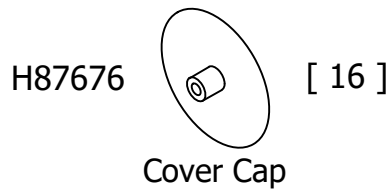
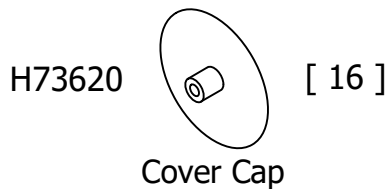
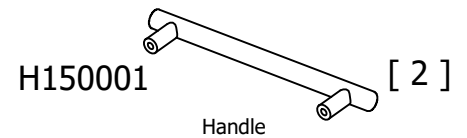
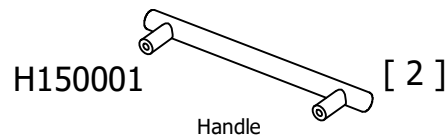
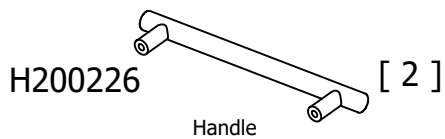
PARTS LIST

A177868G

WC81331		
LABEL	QTY	NUMBER
A	1	W200405
B	1	W200406
C	1	W200407
D	1	W200408
E	1	W200409
F	2	W200379
G	2	W200410
H	1	S220715
I	1	W200411
J	1	W200412
K	1	W200413
N	1	S220716

WC81431		
LABEL	QTY	NUMBER
A	1	W126802
B	1	W126803
C	1	W126804
D	1	W126805
E	1	W126806
F	2	W103082
G	2	W126807
H	1	S220717
I	1	W126809
J	1	W126810
K	1	W177869
N	1	S220718

WC81531		
LABEL	QTY	NUMBER
A	1	W193884
B	1	W193885
C	1	W193886
D	1	W193887
E	1	W193888
F	2	W193889
G	2	W193890
H	1	S220719
I	1	W193892
J	1	W193893
K	1	W193894
N	1	S220720



Have an assembly question or need a replacement part? Just call
1-800-950-4782, we are here to help.

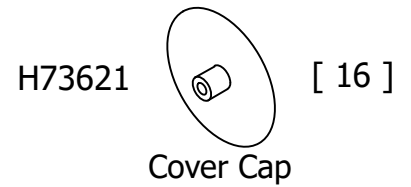
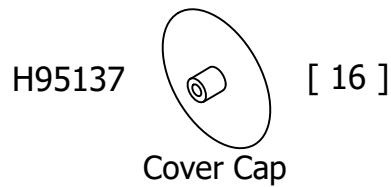
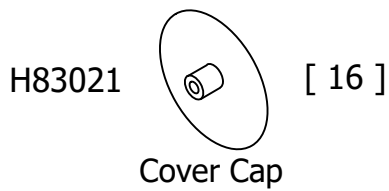
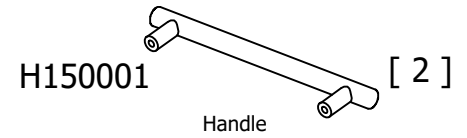
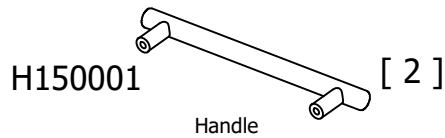
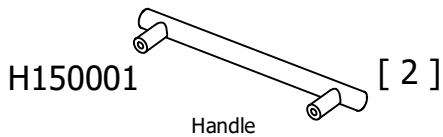
PARTS LIST

A177868G

WC81631		
LABEL	QTY	NUMBER
A	1	W189134
B	1	W189135
C	1	W189136
D	1	W189137
E	1	W189138
F	2	W189139
G	2	W189140
H	1	S220721
I	1	W189142
J	1	W189143
K	1	W189144
N	1	S220722

WC81731		
LABEL	QTY	NUMBER
A	1	W145314
B	1	W145315
C	1	W145316
D	1	W145317
E	1	W145318
F	2	W145248
G	2	W145319
H	1	S220723
I	1	W145320
J	1	W145321
K	1	W177870
N	1	S220724

WC81831		
LABEL	QTY	NUMBER
A	1	W177575
B	1	W177576
C	1	W177577
D	1	W177578
E	1	W177579
F	2	W177514
G	2	W177580
H	1	S220725
I	1	W177581
J	1	W177582
K	1	W177871
N	1	S220726



Have an assembly question or need a replacement part? Just call
1-800-950-4782, we are here to help.

WC81931		
LABEL	QTY	NUMBER
A	1	W196087
B	1	W196088
C	1	W196089
D	1	W196090
E	1	W196091
F	2	W196061
G	2	W196092
H	1	S220709
I	1	W196093
J	1	W196094
K	1	W196095
N	1	S220710

