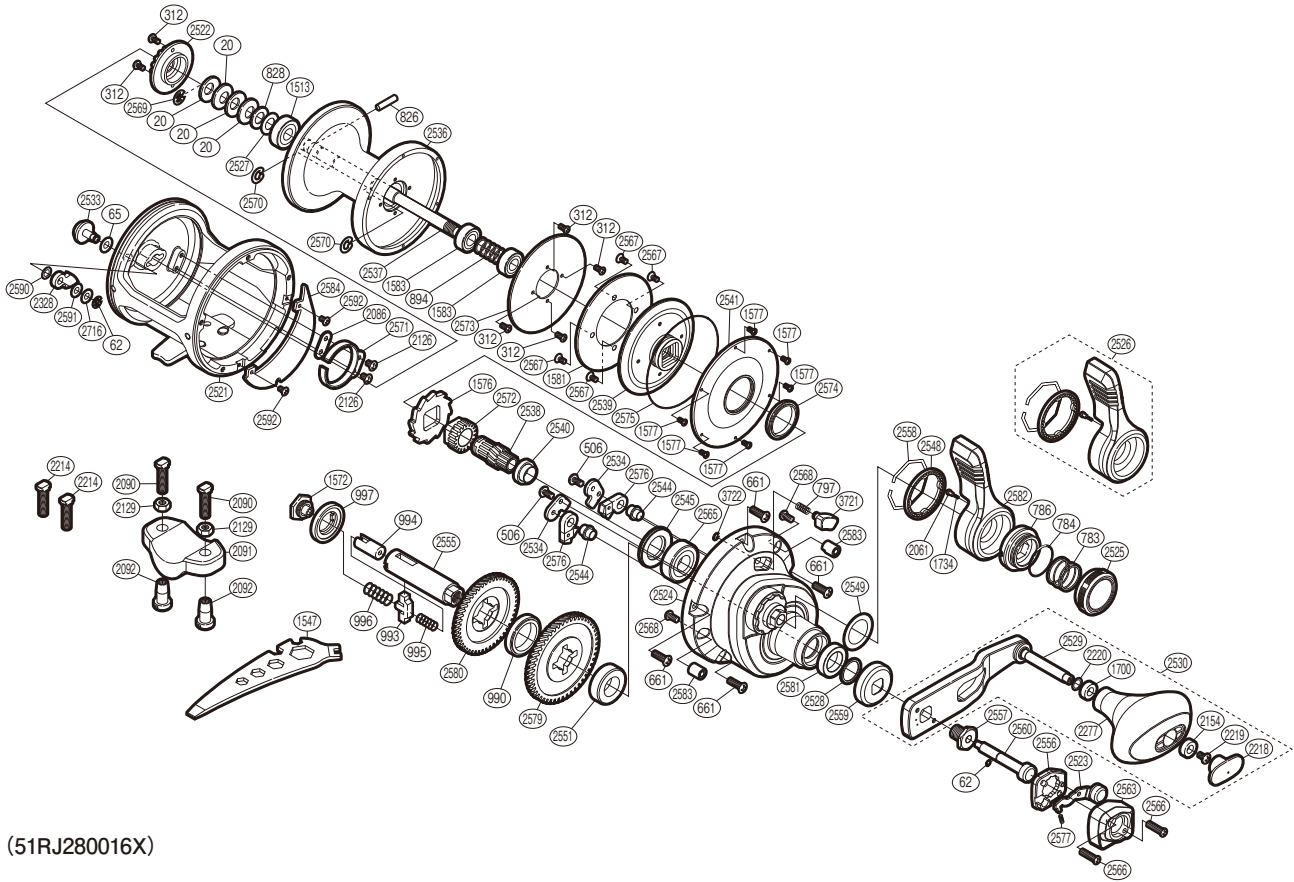


# SHIMANO

## SpeedMaster

## SPM16II



(51RJ280016X)

#	Part No.	Description	#	Part No.	Description	#	Part No.	Description
20	1052C	Preload Spring	2277	105ZD	Handle Knob	2568	10LFK	Screw
62	13APL	E Lock	2328	10T84	Click Pawl	2569	10KHH	E Lock
65	104H2	Washer	2521	10140	Frame Assembly	2570	10KHJ	C-Lock
312	10MPP	Screw	2522	1013V	Click Gear Assembly	2571	10GUY	Click Spring
506	10LF9	Screw	2523	10TKR	Slide Plate	2572	10DU0	Pinion Gear B
661	10M70	Screw	2524	10TKT	Right Side Plate Assembly	2573	10DQY	Drag Washer
783	10M64	Dial Spring	2525	10TKS	Pre-Program Dial Assembly	2574	10DQZ	Waterproof Ring
784	108WL	Body O Seal	2527	10TKV	Washer	2575	10RZ4	O Ring
786	10CC0	Lever Shaft Body	2528	10TLR	Washer	2576	10PKG	Anti Reverse Pawl
797	10BNL	Pressure Spring	2529	10TKU	Handle Shank Assembly	2577	10DR0	Slide Plate Spring
826	104LB	Cross Pin	2530	10DU6	Handle Assembly	2579	1016W	Drive Gear A
828	104L7	Washer	2533	10RP2	Click Button	2580	1016X	Drive Gear B
894	1060C	Pressure Release Spring	2534	10DU8	Anti Reverse Pawl Keeper	2581	10SAG	Drive Gear Bushing
990	10D61	Drive Gear Washer C	2536	10DU7	Spool	2582	10E1X	Drag Control Lever
993	10KXH	Gear Select Cross Bar	2537	1013W	Spool Shaft	2583	10E1W	Bolt Shield
994	10KXL	Cross Bar Stop	2538	1016Z	Pinion Gear A	2584	10E1Y	Set Plate Sticker
995	109VM	Drive Shaft Spring B	2539	1013P	Pinion Guard	2590	10ST7	Washer
996	10KXQ	Drive Shaft Spring	2540	10DTZ	Pinion Gear Collar	2591	10SH1	Washer
997	10D5B	Drive Gear Washer A	2541	10DU5	Handle Assembly	2592	10SGY	Screw
1513	104VJ	Ball Bearing	2544	1013X	Anti Reverse Pawl Pin	2716	10RVM	Washer
1572	10FCD	Drive Shaft Screw	2545	10DU3	Bearing Waterproof Seal	3721	13APT	Strike Stop
1576	10DAM	Anti Reverse Ratchet	2548	1013M	Click Plate	3722	13APU	E Lock
1577	10PRU	Screw	2549	10DTY	Lever Thrust Washer			
1581	10G4F	Drag Plate	2551	1013L	Drive Shaft Bushing	2526	10TNA	Drag Control Lever Mono Assembly
1583	104Q5	Ball Bearing	2555	1013K	Drive Shaft			
1700	104UJ	Handle Knob Bushing	2556	10DTX	Handle Nut Plate	2090	10A9S	Rod Clamp Bolt (Accessory)
1734	10BT2	Click Spring	2557	1013U	Handle Bolt	2091	10AS5	Rod Clamp (Accessory)
2061	10MFC	Lever Click	2558	1013Q	Click Plate Retainer	2092	10JCF	Rod Clamp Nut A (Accessory)
2086	104ZA	Click Spring Washer	2559	10DU9	Drive Shaft Shield	2129	10HG9	Rod Clamp Nut B (Accessory)
2126	10LHW	Screw	2560	1013S	Push Low Button Shaft	2214	10DMU	Rod Clamp Bolt (Accessory)
2154	10EU0	Handle Knob Bushing A	2563	10E1Z	Push Button Shield			
2218	106K0	Handle Knob Seal	2565	107AV	Ball Bearing			
2219	10LFA	Screw	2566	10L9V	Screw			
2220	10HEP	Washer	2567	10LA1	Screw	1547	10MJ8	Wrench

Please note that the number of adjusting washers may not be the same as shown in the exploded views.  
(Adjustment will vary with each individual product.)

(230719)\_008