

SOHO Lateral Front-To-Back Rail Installation

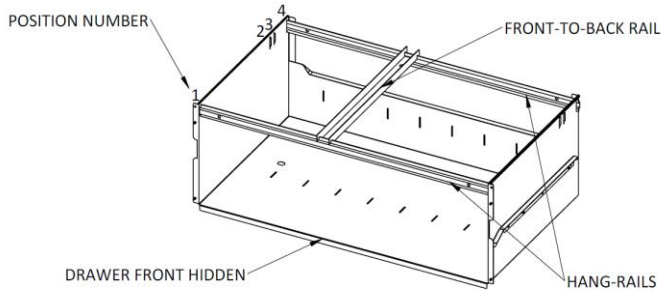


FIGURE 1

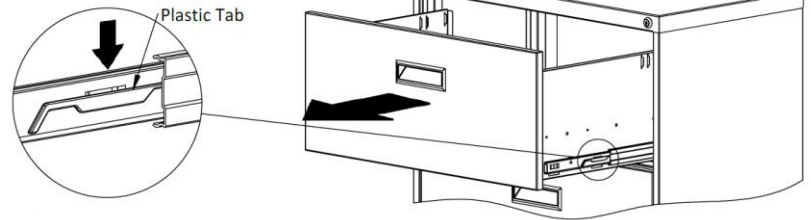


FIGURE 2

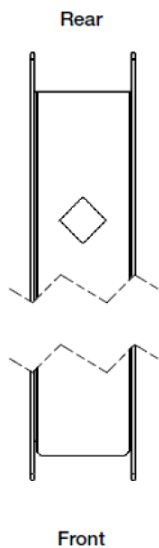


FIGURE 3

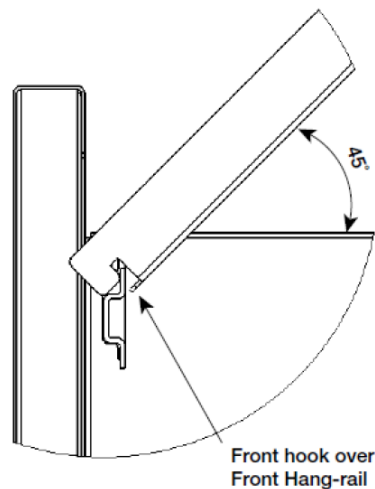


FIGURE 4

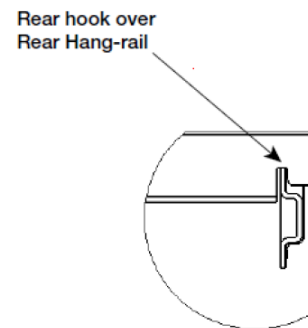


FIGURE 5

1. To install the Front-To-Back Rail, the Hang-rails must be in Positions 1 & 4 (FIGURE 1)
2. The drawer must be extended by pressing on the plastic tabs on both sides while gently pulling on the drawer. The drawer back must come out past the cabinet front but not too far as to fully remove the drawer. (FIGURE 2)
3. Identify the front and rear of the Front-To-Back Rail by looking for the diamond shape hole (FIGURE 3). The diamond is installed to the rear of the drawer.
4. Raise the rear of the Front-To-Back Rail to approximately 45 degrees (FIGURE 4).
5. Fit the top edge of the front Hang-rail into the hook on the front of the Front-To-Back Rail (FIGURE 4).
6. Drop the rear of the Front-To-Back Rail until the rear hook is resting on the rear Hang-rail (FIGURE 5).
7. Position Front-To-Back Rail for each bank of hanging file folders. The side of the drawer should be used for the outermost side of hanging file folders.
8. Push the drawer all the way in to engage the slides plastic tabs.
9. Open and close the drawer several times to properly reset the slides.