

ASSEMBLY INSTRUCTIONS

GIA COLLECTION





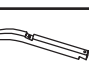
S1701-BS Gia 29" Swivel Bar Stool


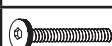




S1701-CS Gia 24" Swivel Counter Stool

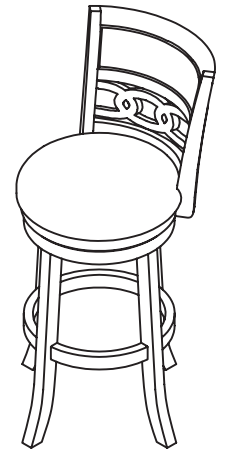
Thank you for purchasing this quality product. Be sure to check all packing materials carefully for small parts which may have come loose inside the carton during shipment. Identify, count all items and compare them with the PART LIST and HARDWARE LIST below.

CAUTION: Read the instructions carefully before assembly.

1. We recommend that you assemble this product with the assistance of another person to eliminate damage to the product during assembly.
2. Do not over-tighten the screws or bolts until the assembly is completed.
3. Keep all hardware parts out of reach of children.
4. Please put all parts on a non-abrasive floor before assembly, and follow the assembly steps to assemble your newly purchased product correctly and efficiently.

PARTS LIST			
NO.	DESCRIPTION	SKETCH	QTY
A	BACKREST		1PC
B	SEAT		1PC
C	SEAT FRAME		1PC
D	ROUND FOOTREST		1PC
E	LEG		4PCS

HARDWARE LIST			
NO.	DESCRIPTION	SKETCH	QTY
1	SHORT BOLTS 1/4"x1"		4PCS
2	MEDIUM BOLTS 1/4"x1-3/4"		10PCS
3	LONG BOLTS 1/4"x2-1/8"		4PCS
4	SPRING WASHERS 1/4" DIA		18PCS
5	FLAT WASHERS 1/4" DIA		18PCS
6	ALLEN WRENCH 1/4"		1PC



Step 1

Separate the hardware & store separately to prepare for assembly.

SHORT BOLTS 1/4"x1"



X 4

MEDIUM BOLTS 1/4"x1-3/4"



X 10

LONG BOLTS 1/4"x2-1/8"



X 4

SPRING WASHERS 1/4" DIA



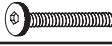


X 18

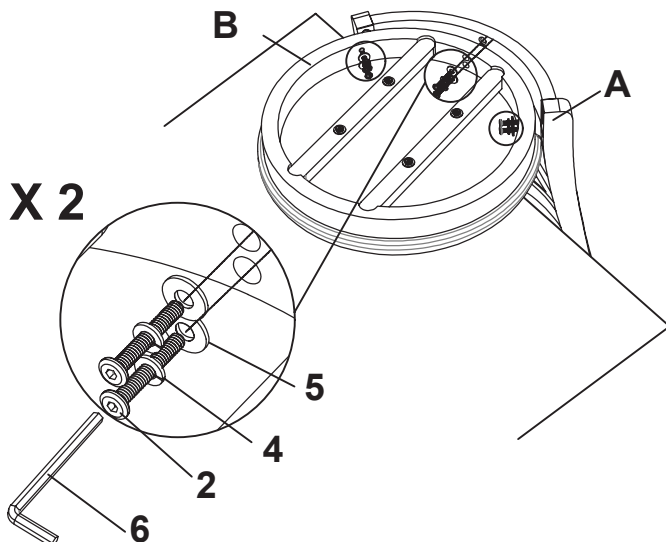
FLAT WASHERS 1/4" DIA






X 18

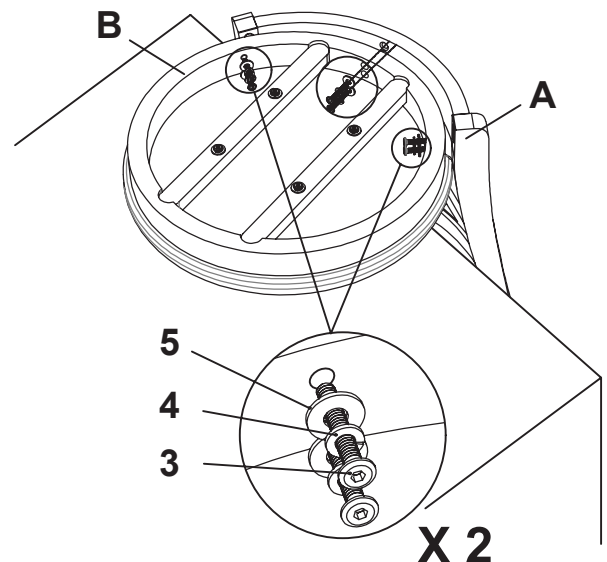
Step 2

2	MEDIUM BOLTS 1/4"x1-3/4"	
4	SPRING WASHERS 1/4" DIA	
5	FLAT WASHERS 1/4" DIA	



Step 3

3	LONG BOLTS 1/4"x2-1/8"	
4	SPRING WASHERS 1/4" DIA	
5	FLAT WASHERS 1/4" DIA	






ASSEMBLY INSTRUCTIONS

GIA COLLECTION

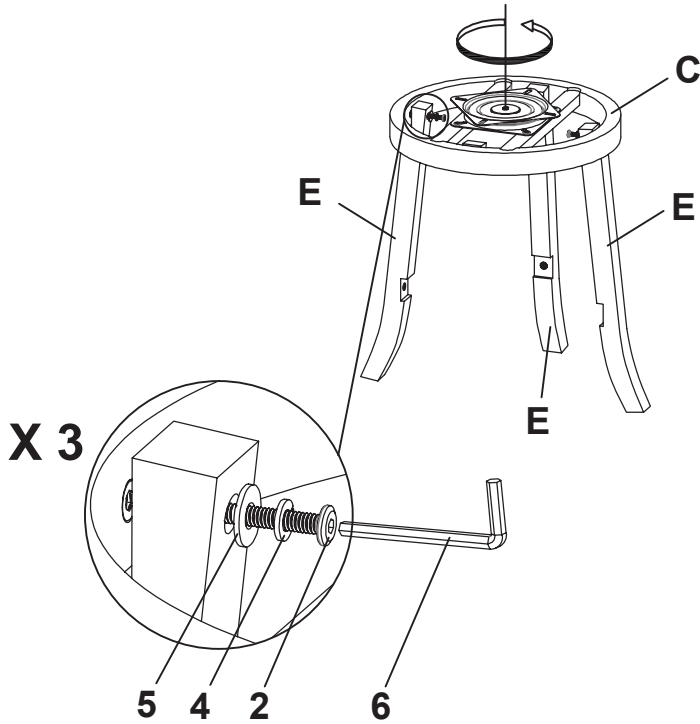
S1701-BS Gia 29" Swivel Bar Stool

S1701-CS Gia 24" Swivel Counter Stool




Step 4

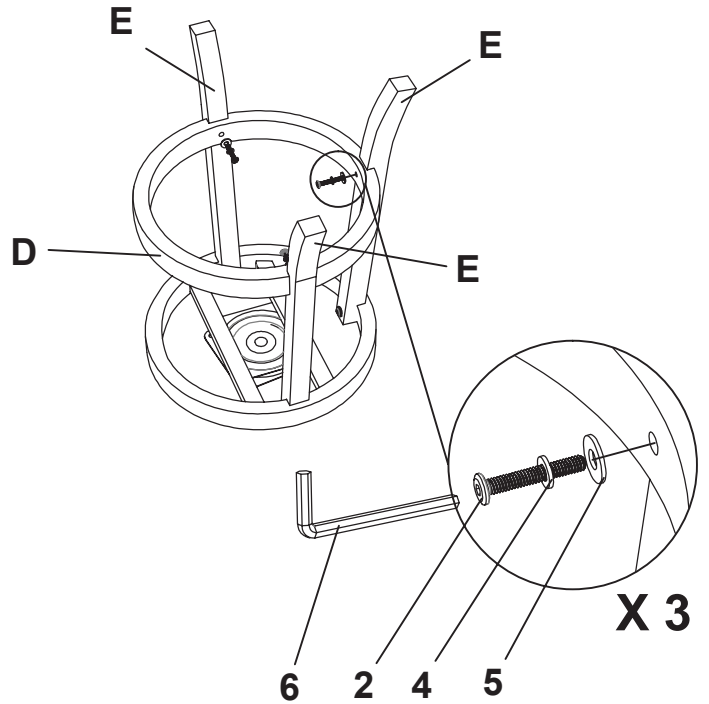
2	MEDIUM BOLTS 1/4"x1-3/4"	
4	SPRING WASHERS 1/4" DIA	
5	FLAT WASHERS 1/4" DIA	

DO NOT TIGHTEN THE SCREWS.






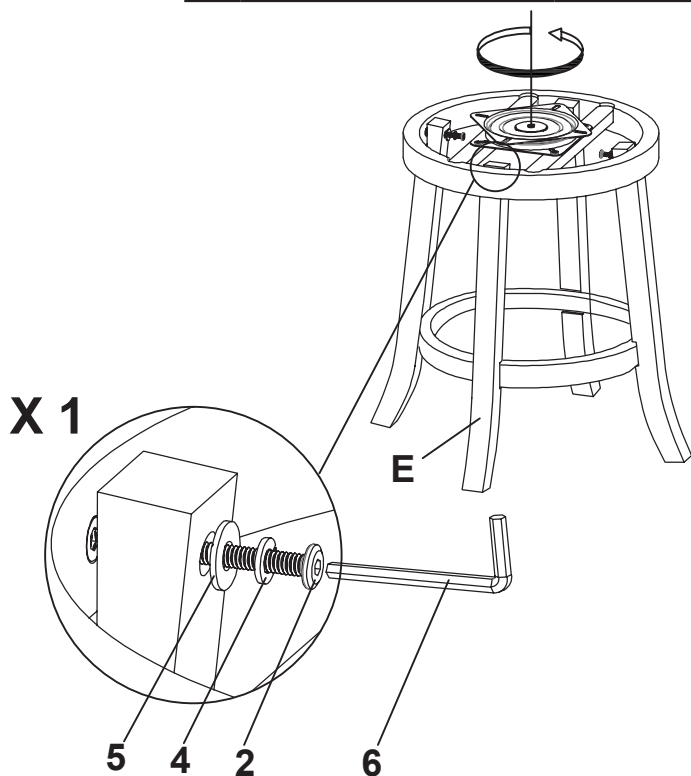
Step 5

2	MEDIUM BOLTS 1/4"x1-3/4"	
4	SPRING WASHERS 1/4" DIA	
5	FLAT WASHERS 1/4" DIA	

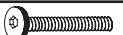




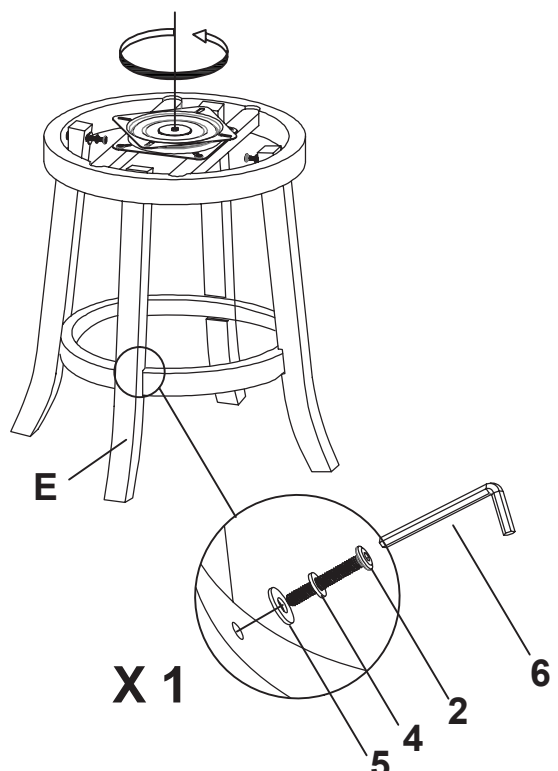
Step 6

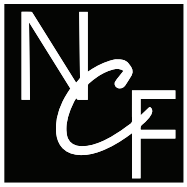
2	MEDIUM BOLTS 1/4"x1-3/4"	
4	SPRING WASHERS 1/4" DIA	
5	FLAT WASHERS 1/4" DIA	



Step 7

2	MEDIUM BOLTS 1/4"x1-3/4"	
4	SPRING WASHERS 1/4" DIA	
5	FLAT WASHERS 1/4" DIA	





ASSEMBLY INSTRUCTIONS

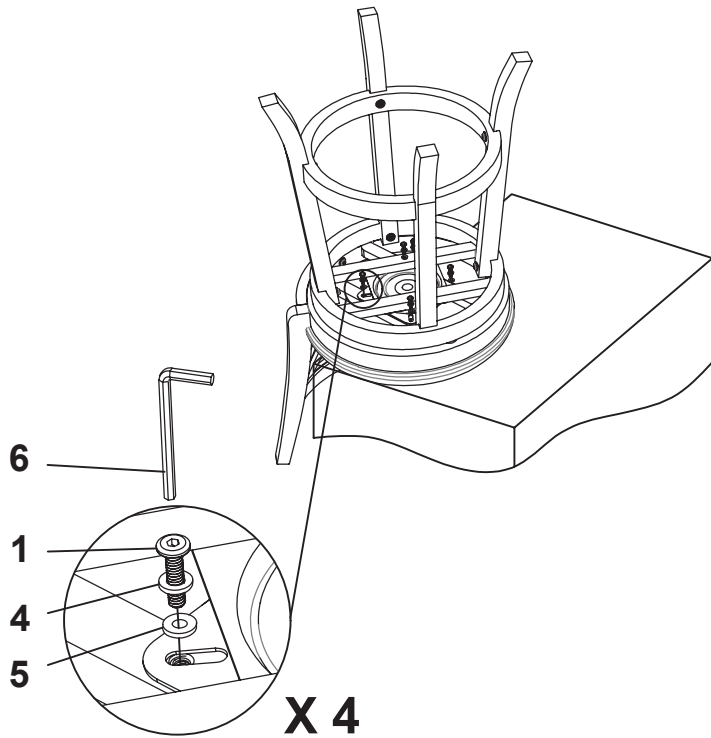
GIA COLLECTION

S1701-BS Gia 29" Swivel Bar Stool

S1701-CS Gia 24" Swivel Counter Stool

Step 8

1	SHORT BOLTS 1/4"x1"	
4	SPRING WASHERS 1/4" DIA	
5	FLAT WASHERS 1/4" DIA	



Step 9

Tighten all screws.

