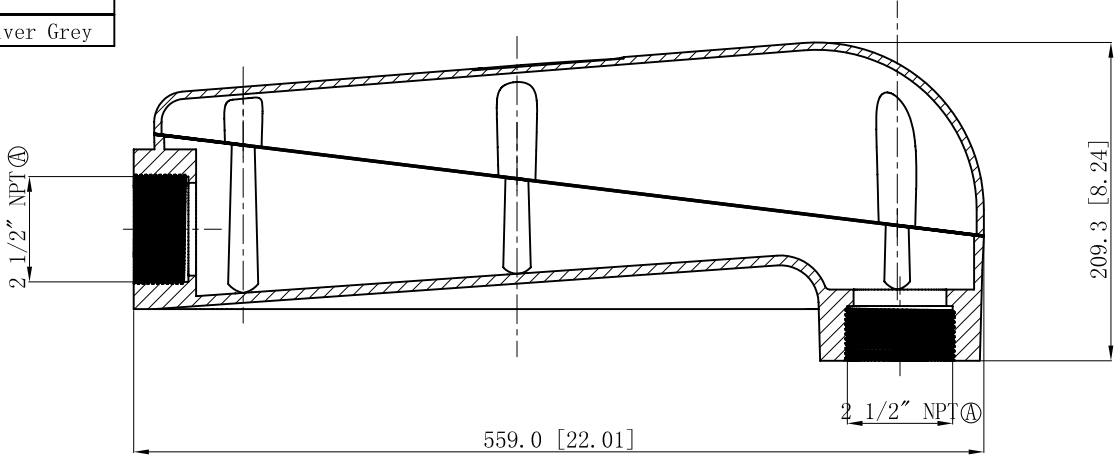
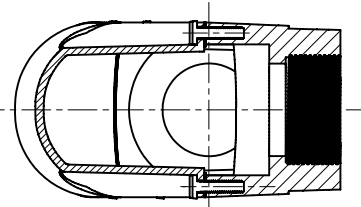
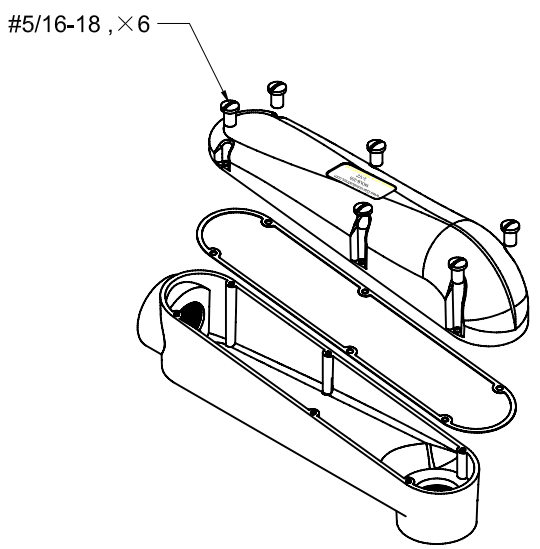


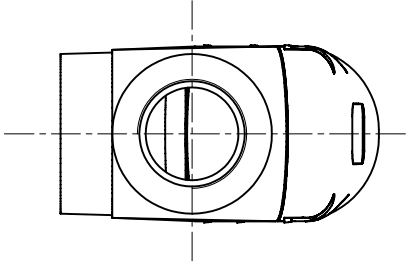
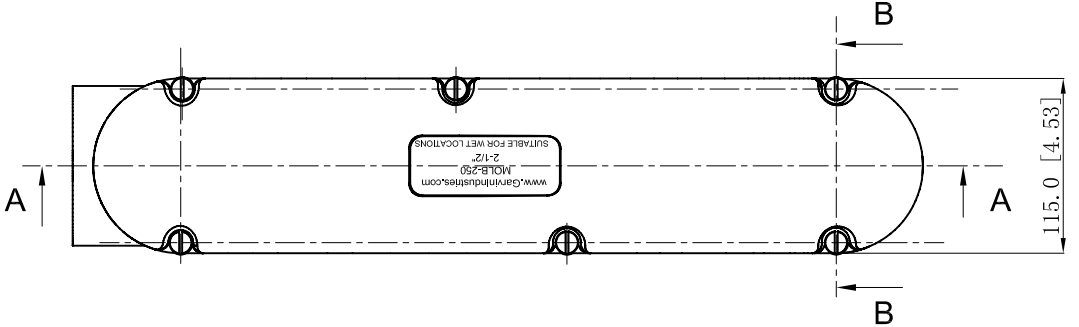
SIDES	BOTTOM
6 PCS 5/16-18×5/8 Screws Installed	
Material: Aluminum - Powder Coating Silver Grey	



CUTAWAY VIEW A-A



CUTAWAY VIEW B-B



DESCRIPTION
TRADE REFERENCE TERMS

This data sheet is for reference only .GARVIN INDUSTRIES reserves the right to make changes to the design without prior notice.

STANDARD PACKING	<b>GARVIN INDUSTRIES</b>		
	TITLE MOGUL LB GONDUIT BODY		
1 PCS	SIZE	DWG NO.	REV
	A4	MOLB-250	A
DATA SHEET			