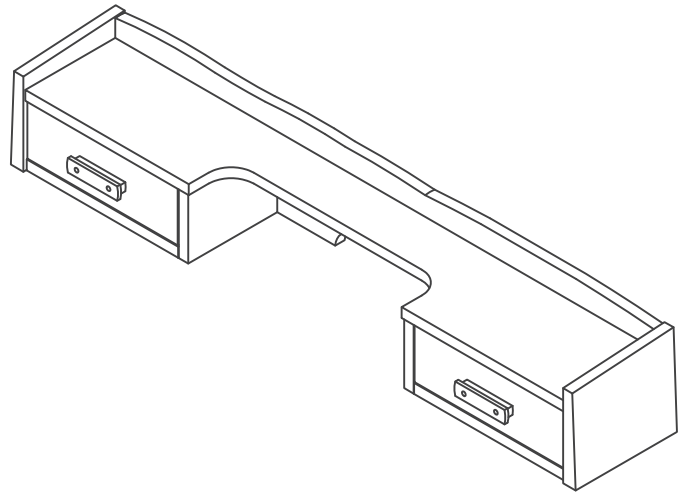


Desk Hutch



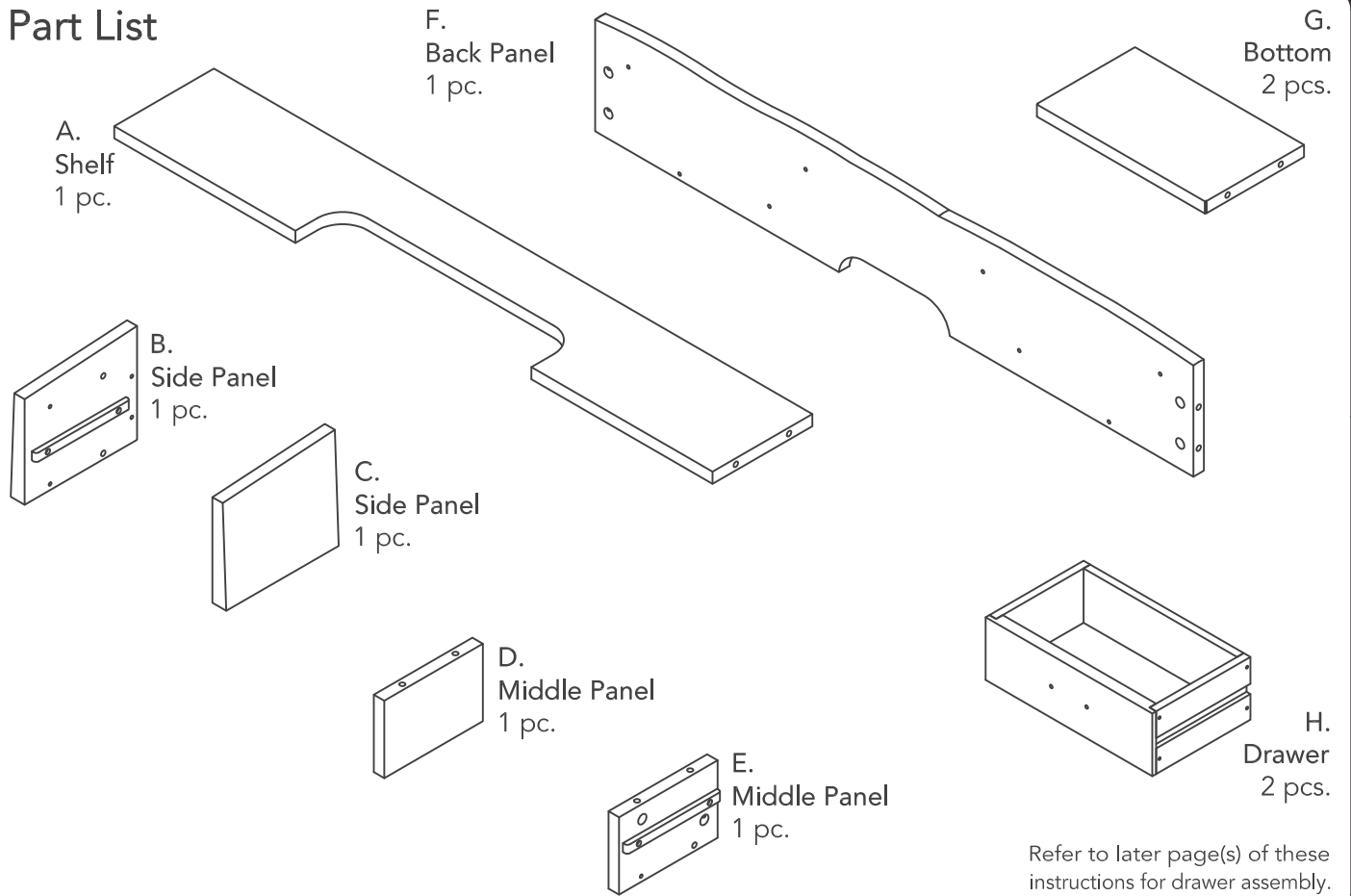
IMPORTANT

Carefully remove all the parts from the carton and place them individually on a soft cloth to prevent scratches or other damage.

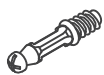
Carefully and strictly follow these assembly instructions to ensure a completed product as designed.

Do not use power tools above 8 volts to assemble.

Part List



Hardware List



Cam Lock Screw
20 pcs. (+4 extra)



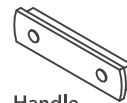
Cam Lock
20 pcs. (+4 extra)



M3x32
1 1/4" Flat Head Screw
16 pcs. (+1 extra)



5/32"x1 1/4"
Machine Screw
4 pcs.



Handle
2 pcs.



Dowel
8 pcs. (+1 extra)

Tool(s) required for assembly: Phillips screwdriver

Home Styles Customer Service: www.homestyles-furniture.com,
servicedesk@homestyles-furniture.com, 888-680-7460, 877-831-0319

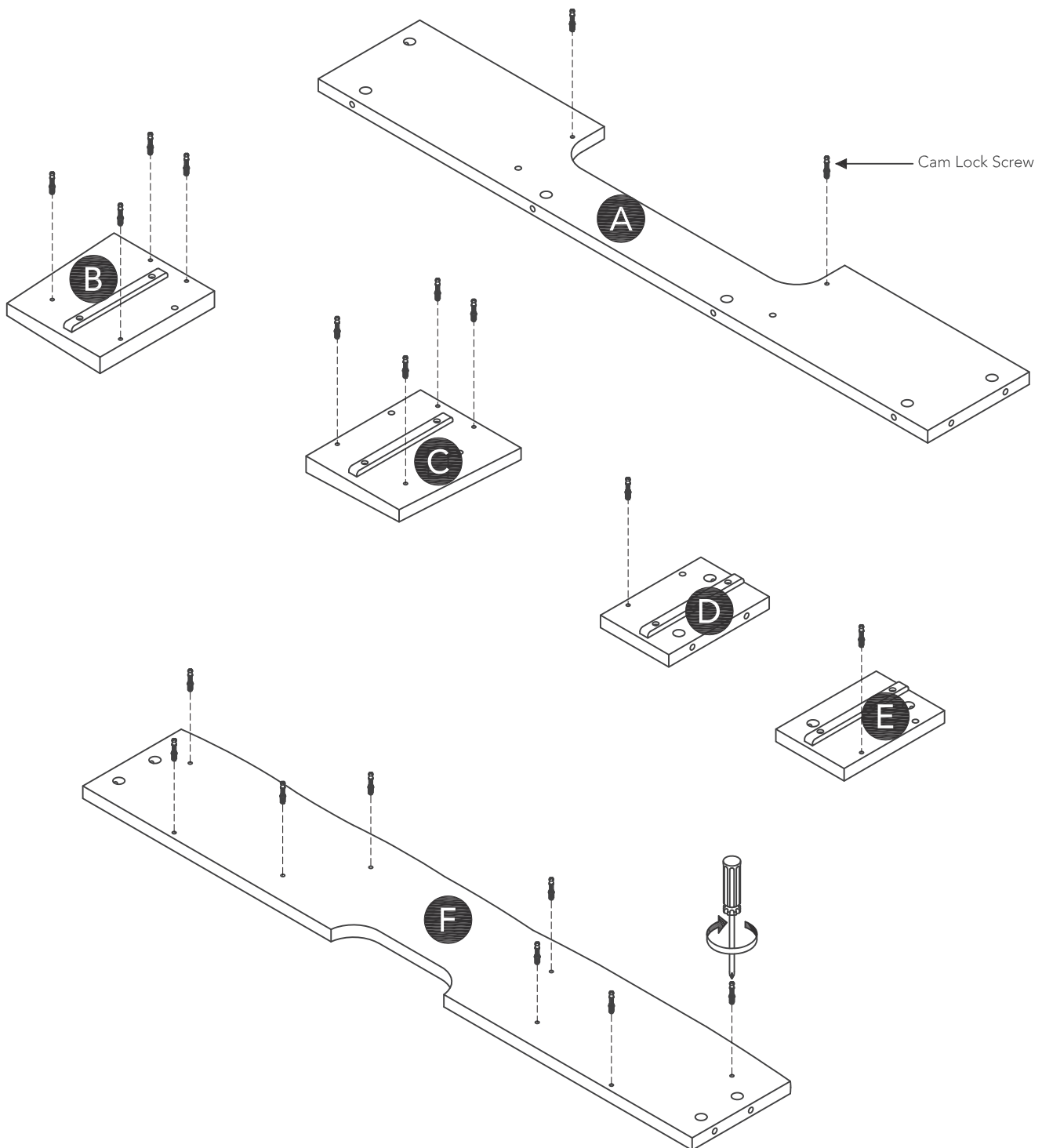
Assembly Instructions 2/6

IMPORTANT

- Use a soft cloth between these parts and the floor.
- Do not use power tools above 8 volts to assemble.
- Do not tighten all the screws until each part is properly assembled.

STEP 1

Insert Cam Lock Screws into pre-drilled holes in Shelf (A), Side Panels (B), (C), Middle Panels (D), (E) and Back Panel (F), then tighten.



STEP 2

Attach Middle Panel (D) to Bottom (G) with Dowel and Cam Lock. (See Figure 1)

Attach Middle Panel (E) to Bottom (G) with Dowel and Cam Lock.

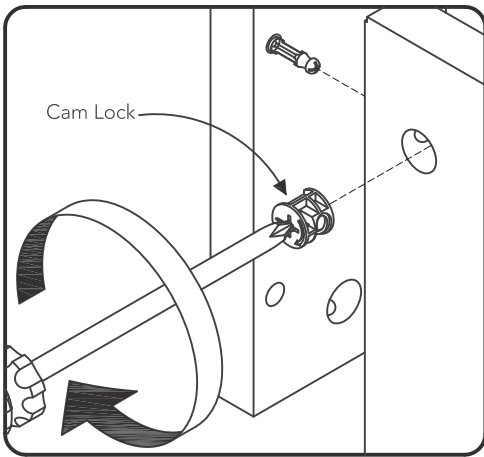
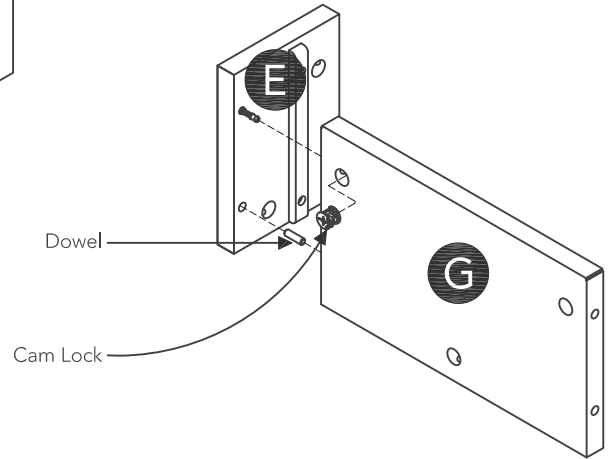
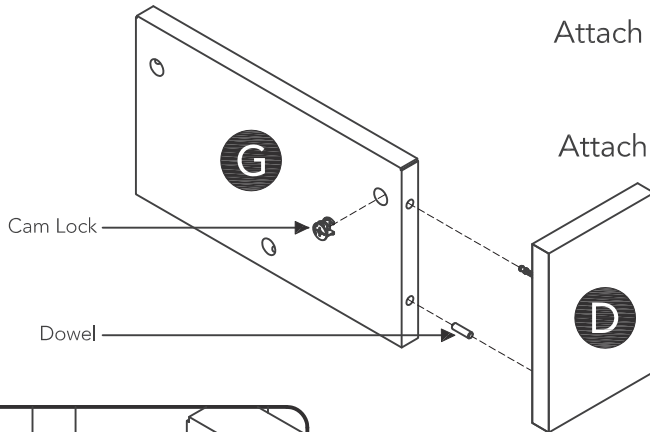
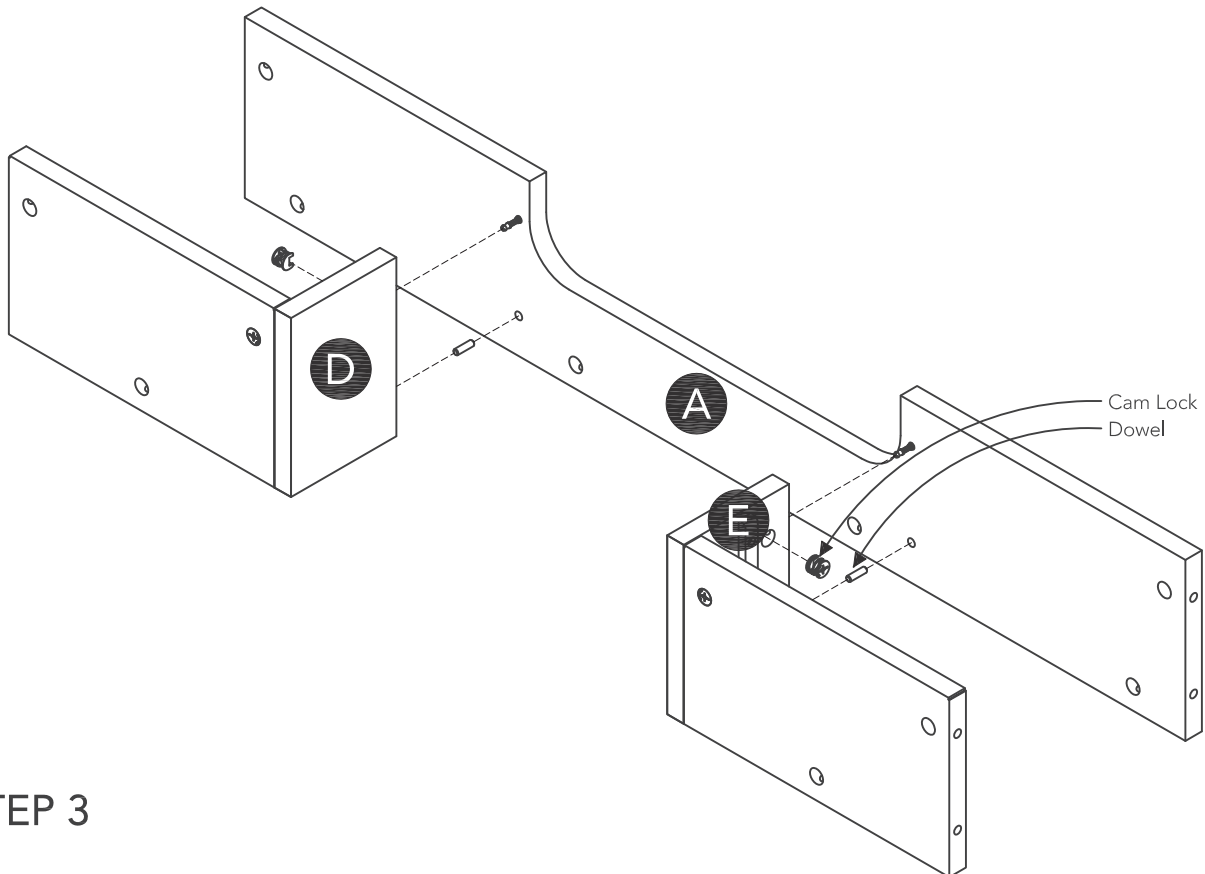


Figure 1



STEP 3

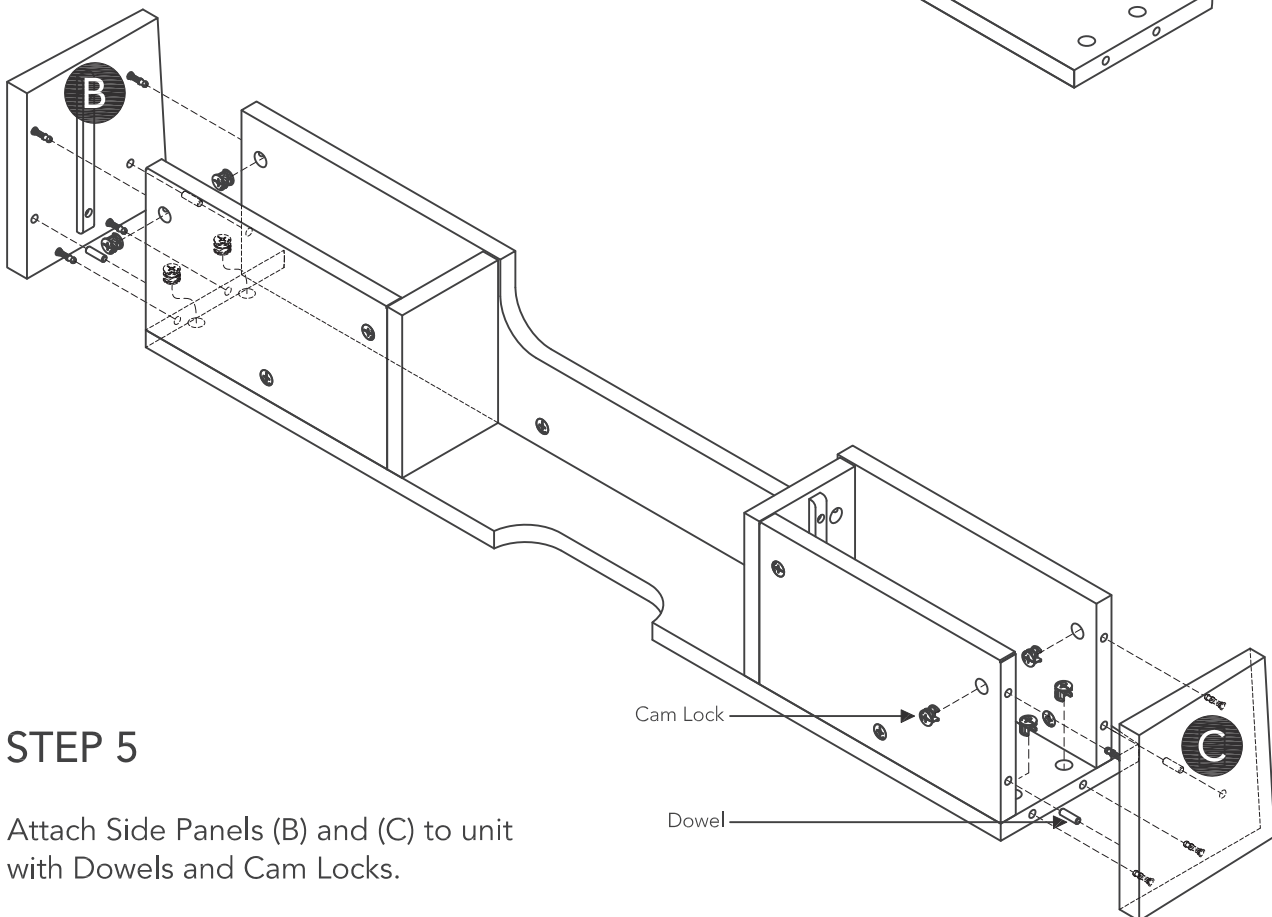
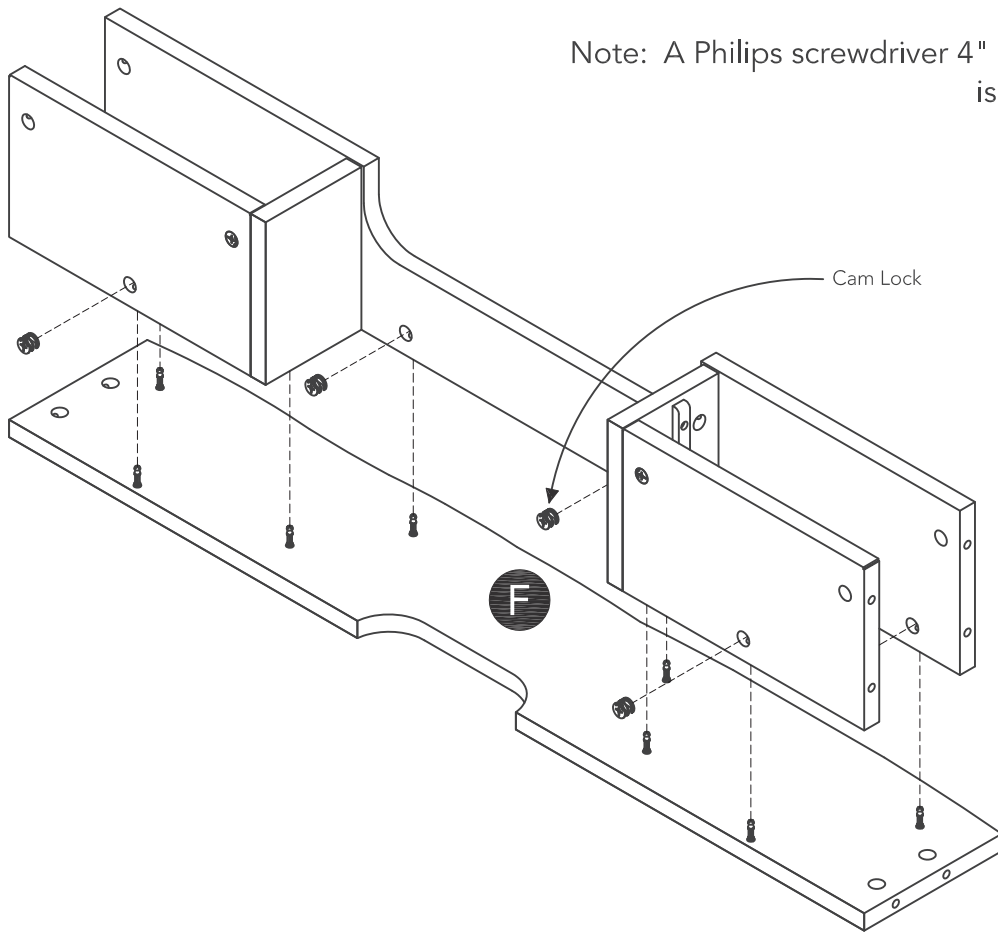
Attach Shelf (A) to Middle Panels (D) and (E) with Dowels and Cam Locks.

Assembly Instructions 4/6

STEP 4

Attach unit to Back Panel (F) with Cam Locks.

Note: A Philips screwdriver 4" or less in length is recommended.



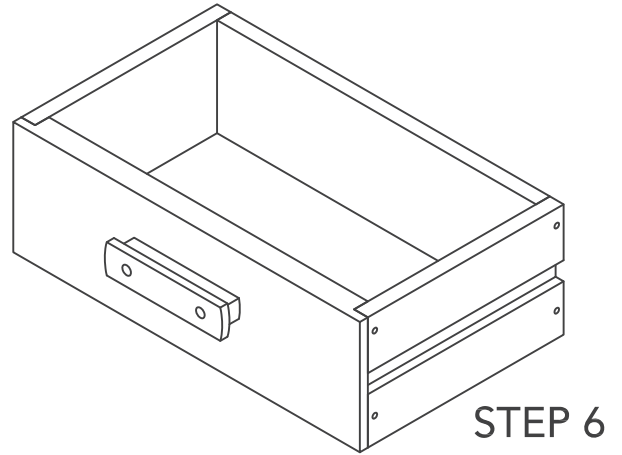
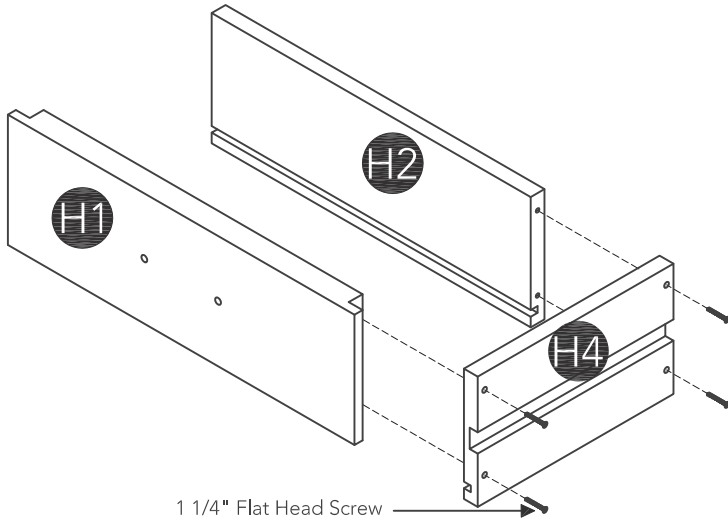
STEP 5

Attach Side Panels (B) and (C) to unit with Dowels and Cam Locks.

Note: A Philips screwdriver 4" or less in length is recommended.

Assembly Instructions 5/6

Drawer (H)

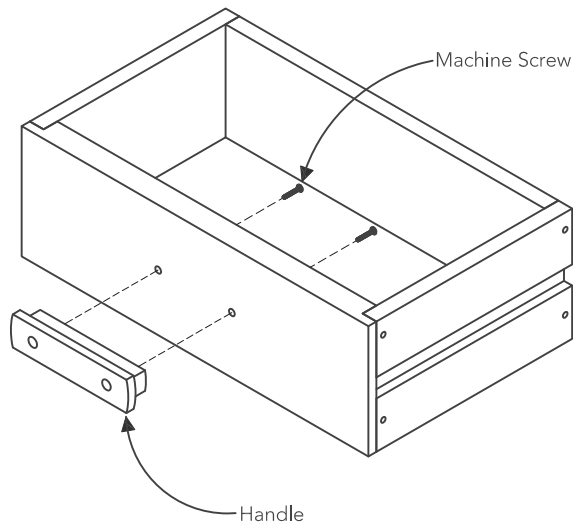
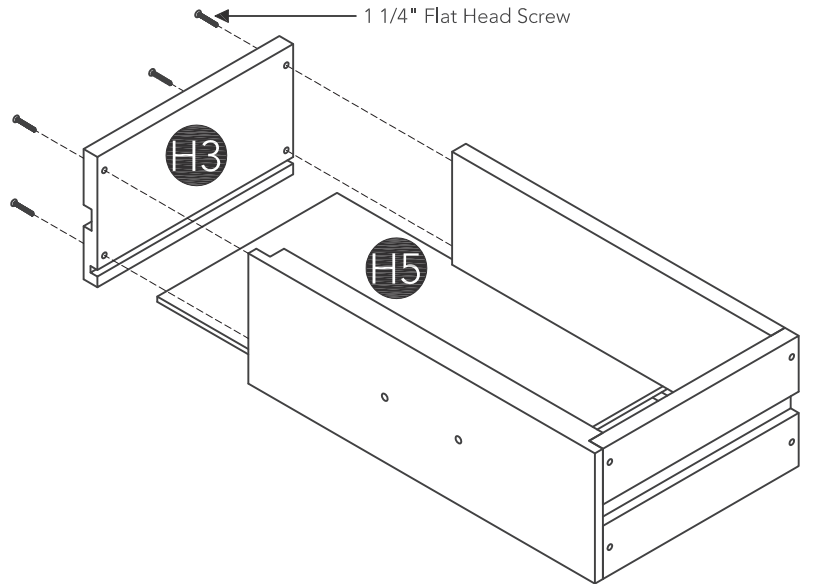


Attach Drawer Front (H1) and Drawer Back (H2) to Drawer Side (H4) with 1 1/4" Flat Head Screws.

STEP 7

Insert Drawer Bottom (H5) into groove.

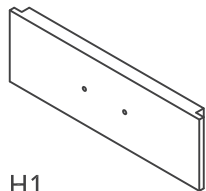
Attach Drawer Side (H3) to unit with 1 1/4" Flat Head Screws.



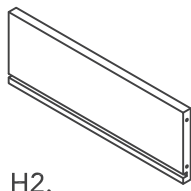
STEP 8

Attach Handle with Machine Screws.

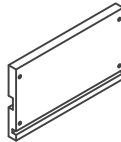
Part List



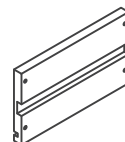
H1.
Drawer Front
2 pcs.



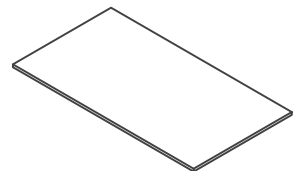
H2.
Drawer Back
2 pcs.



H3.
Drawer Side
2 pcs.



H4.
Drawer Side
2 pcs.

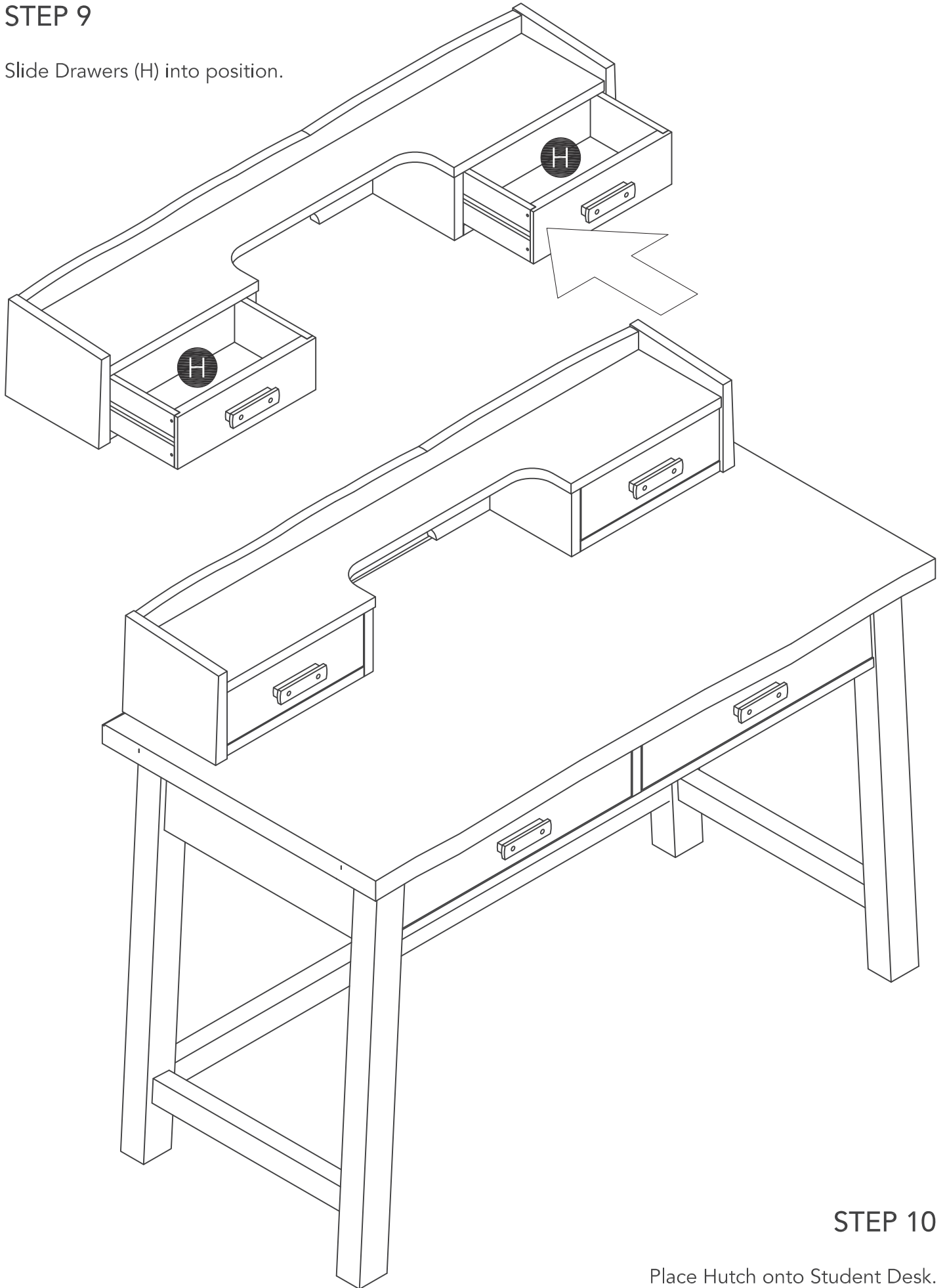


H5.
Drawer Bottom
2 pcs.

Assembly Instructions 6/6

STEP 9

Slide Drawers (H) into position.



STEP 10

Place Hutch onto Student Desk.

CARE INSTRUCTIONS

NEVER

allow liquids to remain on furniture.
Absorption causes parts to warp
and split and finishes to delaminate.

NEVER

use glass cleaners on
finished furniture. Ammonia
chemically attacks the finish.



Do not use power tools
above 8 volts to assemble.

**PREVENT
CRACKING**



Do not place
in direct sunlight.

**PREVENT
FADING**



Do not write
directly on surface.

**PREVENT
MARKING**



Do not place hot
objects on surface.

**PREVENT
FINISH DAMAGE**



Do not use rubber
based placemats.

**PREVENT
DISCOLORING**



Do not use commercial
waxes and polishes.

**PREVENT
YELLOWING**

CLEAN

with a soft cloth moistened
in lukewarm soap and water.
Buff with a dry clean cloth.



Home Styles will provide replacements free of charge for missing or damaged hardware or parts within 30 days of purchase. Digital images of the defective parts may be required. If the product was not purchased from an authorized retail affiliate, Home Styles is under no obligation to provide replacement parts. Parts are not available for fully assembled items nor are parts available for sale. Replacements for missing or damaged hardware or parts may be requested at:

www.homestyles-furniture.com/customer-service/replacement-parts

Home Styles Customer Service: www.homestyles-furniture.com,
servicedesk@homestyles-furniture.com, 888-680-7460, 877-831-0319