

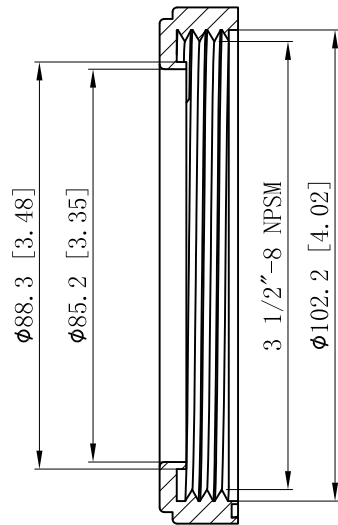
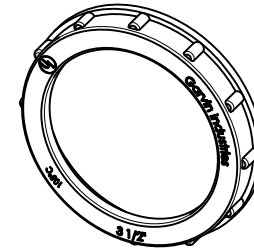
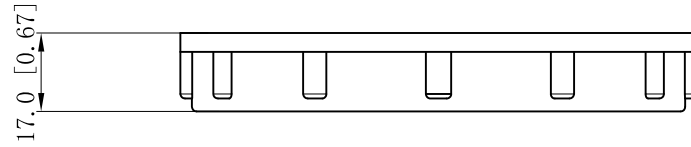
SIDES

BOTTOM

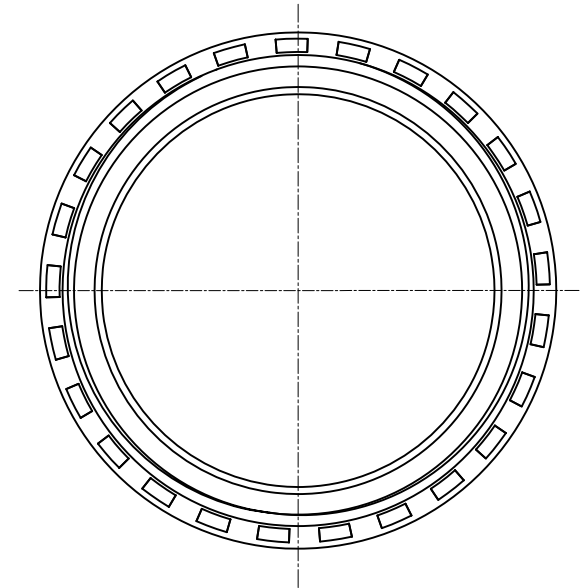
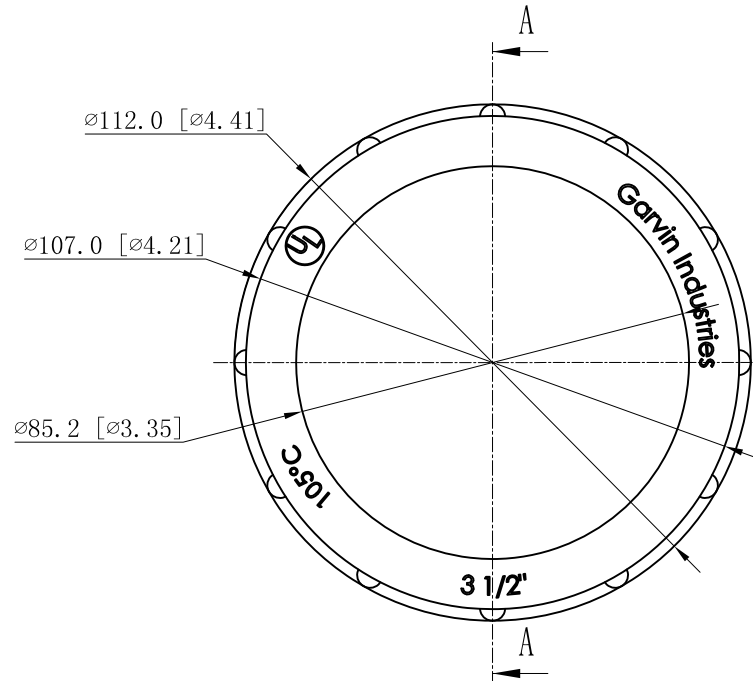
UL File #

E364151

Material:UL94 V-0, PP



CUTAWAY VIEW A-A



This data sheet is for reference only .GARVIN INDUSTRIES reserves the right to make changes to the design without prior notice.

DESCRIPTION
TRADE REFERENCE TERMS

STANDARD PACKING
100 PCS

GARVIN INDUSTRIES		
TITLE INSULATING BUSHING		
SIZE A4	DWG NO. IBT-350	REV A
DATA SHEET		
www.garvinindustries.com		