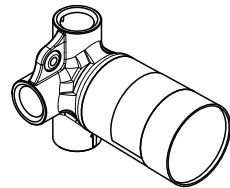
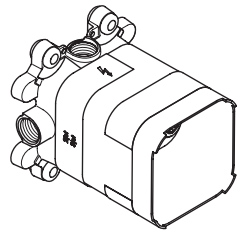


AXOR



EN Installation / User Instructions / Warranty
FR Instructions de montage / Mode d'emploi / Garantie
ES Instrucciones de montaje / Manejo / Garantía

AXOR ShowerSolutions
35361181

INSTALLATION

ENGLISH

TECHNICAL INFORMATION

Water pressure	
Recommended	15 - 75 PSI (0.1 - 0.5 MPa)
Maximum	145 PSI (1 MPa)
Hot water temp.	
Recommended	120°-140° F (48° - 60° C)*
Maximum	158°F (70° C)*
Maximum flow rate of showerhead:	
35296xx1, 35310xx1	2.5 GPM (9.5 L/min)
35364xx1, 35311xx1	1.75 GPM (6.6 L/min)
48481xx1	2.5 GPM (9.5 L/min)
48482xx1	1.75 GPM (6.6 L/min)

* Please know and follow all applicable local plumbing codes when setting the temperature on the water heater.

INSTALLATION CONSIDERATIONS

- / For best results, Hansgrohe recommends that this unit be installed by a licensed, professional plumber.
- / Please plan your installation carefully. Read over the installation instructions for all components. Make sure that you have all tools and supplies needed to complete the installation. If you have any questions, please contact Hansgrohe Technical Service before beginning installation.
- / This rough is for use with AXOR ShowerSolutions showerheads #35296xx1, #35364xx1, #35310xx1, #35311xx1, AXOR ONE # 48481xx1, #48482xx1 (not included).
- / This unit must be installed with the included Trio Green diverter #30371441 or with Quattro Green diverter #15936181 (not included - sold separately).
- / The trim kit for the Trio Green is sold separately.
- / There are no controls on the showerheads. The spray functions are controlled by the diverter.
- / To prevent scald injury, the maximum output temperature of the shower valve must be no higher than 120°F (49° C). In Massachusetts, the maximum output temperature can be no higher than 112°F (44°C).
- / Keep this booklet and the receipt (or other proof of date and place of purchase) for this product in a safe place. The receipt is required should it be necessary to request warranty parts.

FRANÇAIS

DONNÉES TECHNIQUES

Pression d'eau	
recommandée	15 - 75 PSI (0.1 - 0.5 MPa)
maximum	145 PSI (1 MPa)
Température d'eau chaude	
recommandée	120°-140° F (48° - 60° C)*
maximum	158°F (70° C)*
Capacité nominale de la pomme de douche:	
35296xx1, 35310xx1	2.5 GPM (9.5 L/min)
35364xx1, 35311xx1	1.75 GPM (6.6 L/min)
48481xx1	2.5 GPM (9.5 L/min)
48482xx1	1.75 GPM (6.6 L/min)

* Vous devez connaître et respecter tous les codes de plomberie locaux applicables pour le réglage de la température du chauffe-eau.

À PRENDRE EN CONSIDÉRATION POUR L'INSTALLATION

- / Pour de meilleurs résultats, Hansgrohe recommande que ce produit soit installé par un plombier professionnel licencié.
- / Préparez-vous bien avant de commencer. Lisez les instructions d'installation de tous les composants. Assurez-vous de disposer de tous les outils et du matériel nécessaires pour l'installation. Si vous avez des questions, veuillez contacter l'assistance technique de Hansgrohe avant de commencer l'installation.
- / Cette pièce intérieure est conçue pour utilisation avec les pommes de douche № 35296xx1, № 35364xx1, № 35310xx1, № 35311xx1, de la gamme AXOR ShowerSolutions, № 48481xx1, № 48482xx1 de la gamme AXOR ONE (non compris).
- / Cette pomme de douche doit être installée avec l'inverseur Trio Green n° 30371441 (inclus) ou avec l'inverseur Quattro Green n° 15936181 (non compris).
- / L'ensemble de garniture pour le Trio Green est vendu séparément.
- / Les pommes de douche ne dispose pas de boutons de contrôle. Les modes de jet sont commandés par l'inverseur.
- / Pour empêcher des blessures par ébullition, la température de sortie maximale du robinet de douche ne doit pas excéder 120°F (49°C). Au Massachusetts, la température de sortie maximale du robinet de douche ne doit pas excéder 112°F (44°C).
- / Conservez ce livret et le reçu (ou une autre preuve sur laquelle figurent la date et l'endroit de l'achat) pour ce produit dans un endroit sûr. Le reçu est requis si vous commandez des pièces sous garantie.

DATOS TECNICOS

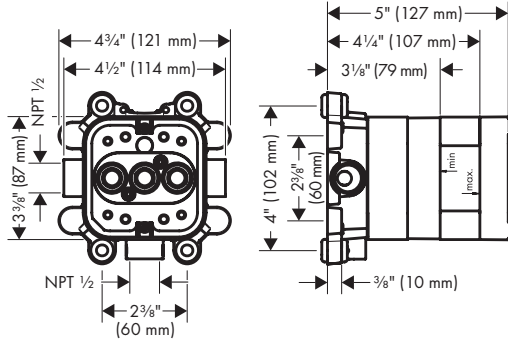
Presión en servicio	
recomendada	15 - 75 PSI (0.1 - 0.5 MPa)
max.	145 PSI (1 MPa)
Temperatura del agua caliente	
recomendada	120°-140° F (48° - 60° C)*
max.	158°F (70° C)*
Caudal máximo de la ducha cabezal:	
35296xx1, 35310xx1	2.5 GPM (9.5 L/min)
35364xx1, 35311xx1	1.75 GPM (6.6 L/min)
48481xx1	2.5 GPM (9.5 L/min)
48482xx1	1.75 GPM (6.6 L/min)

* Debe conocer y cumplir todos los códigos locales aplicables para ajustar la temperatura del calentador de agua.

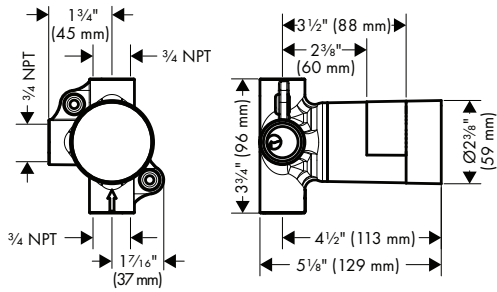
CONSIDERACIONES PARA LA INSTALACIÓN

- / Para obtener mejores resultados, la instalación debe estar a cargo de un plomero profesional matriculado.
- / Planifique la instalación cuidadosamente. Repase las instrucciones de instalación para todos los componentes. Asegúrese de tener las herramientas y los insumos necesarios para completar la instalación. Si tiene alguna pregunta, comuníquese con el Servicio técnico de Hansgrohe antes de comenzar la instalación.
- / Esta pieza interior se usa con las duchas cabezales #35296xx1, #35364xx1, #35310xx1, #35311xx1, de la Colección de AXOR ShowerSolutions, 48481xx1, #48482xx1, de la Colección de AXOR ONE (no incluida).
- / Esta ducha debe instalarse con un distribuidor Trio Green #30371441 (incluido) o con un distribuidor Quattro Green #15936181 (no incluido).
- / El juego de pieza exterior para el distribuidor Trio Green se vende por separado.
- / No hay controles en las duchas cabezales. Las funciones de rociado se controlan mediante el distribuidor.
- / Para evitar escaldaduras, la máxima temperatura de salida de la válvula de la ducha no debe exceder los 120°F (49°C). En Massachusetts, la máxima temperatura de salida de la válvula de la ducha no debe exceder los 112°F (44°C).
- / Mantenga este folleto y el recibo (u otro comprobante del lugar y fecha de compra) de este producto en lugar seguro. El recibo se requiere en caso de ser necesario solicitar piezas bajo garantía.

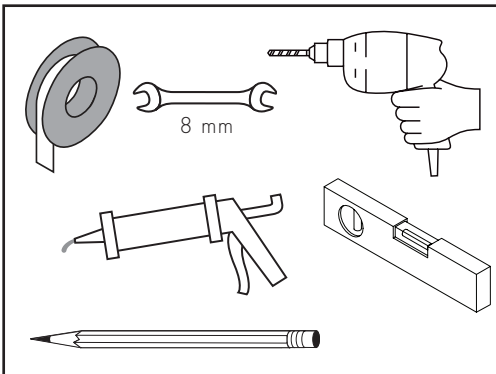
AXOR ShowerSolutions
35361181



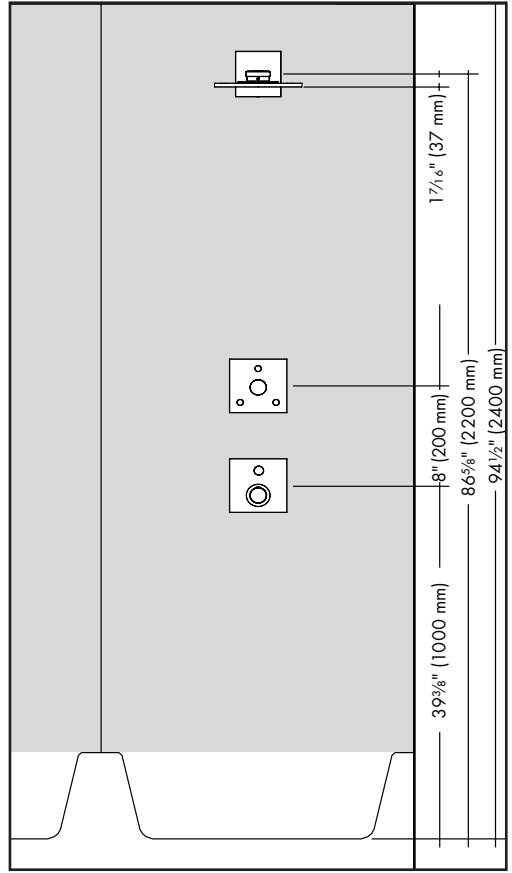
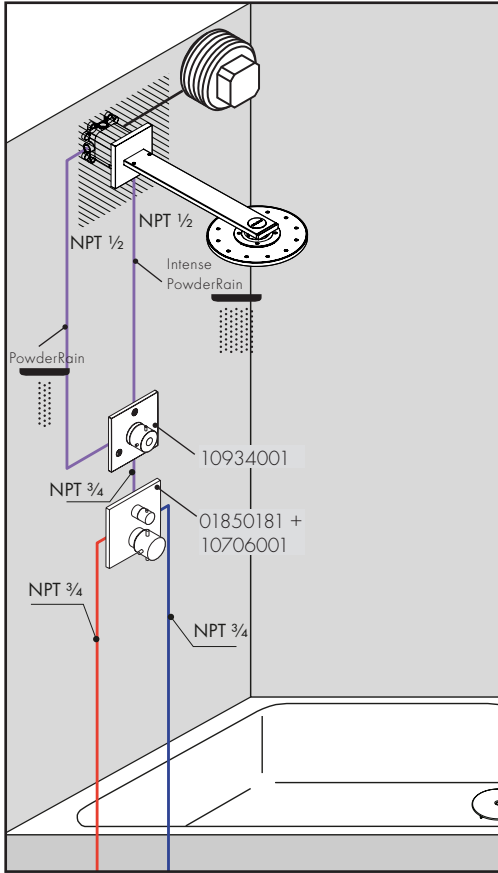
Trio Green
30371441

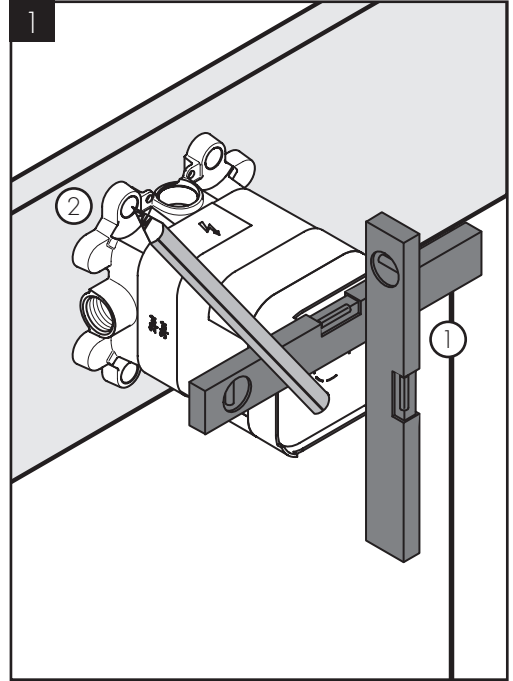
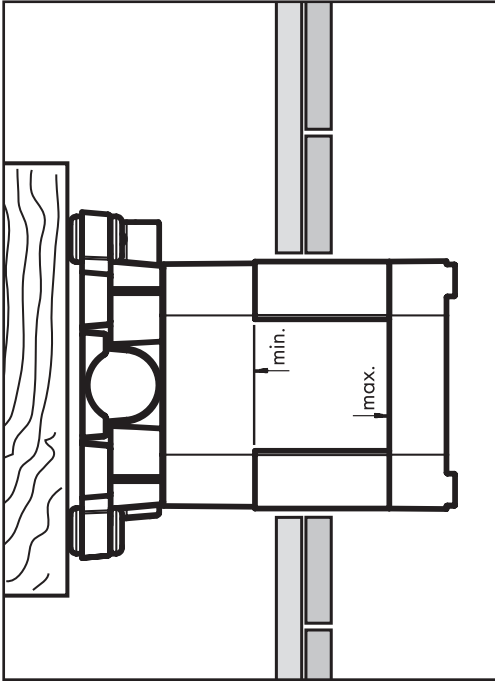


TOOLS REQUIRED / OUTILES UTILES /
HERRAMIENTAS ÚTILES



INSTALLATION SUGGESTIONS / SUGGESTIONS
 D'INSTALLATION / SUGERENCIAS PARA LA INSTALACIÓN





ENGLISH

FRANÇAIS

ESPAÑOL

⚠ To insure correct fit of the showerhead, the outside surface of the finished wall must fall between the "min" and "max" markings on the plaster shield.

⚠ Pour que la pomme de douche s'ajuste de façon adéquate, la surface du mur fini doit se situer entre les marques « min » et « max » figurant sur les protecteurs de plâtre.

⚠ Para que la ducha cabezal ajuste correctamente, la superficie de la pared terminada debe quedar entre las marcas de máximo y mínimo del escudo de yeso.

Hold the rough against the header.

Placez le pièce intérieure contre le panneau.

Coloque la pieza interior de válvula contra el panel de cabezal.

Make sure that the rough is level.

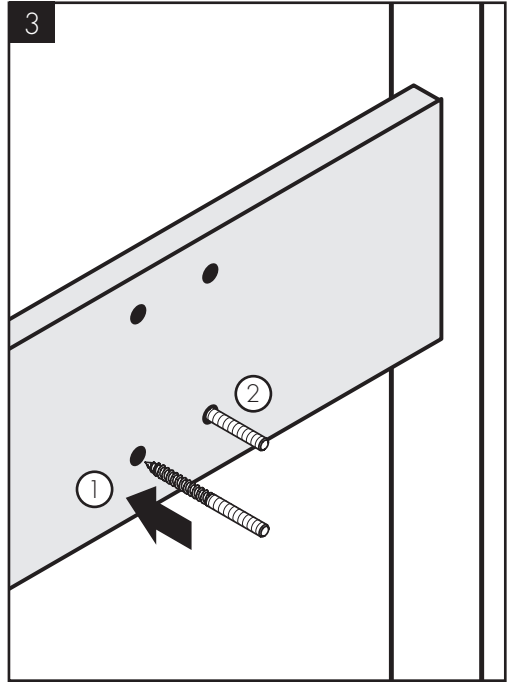
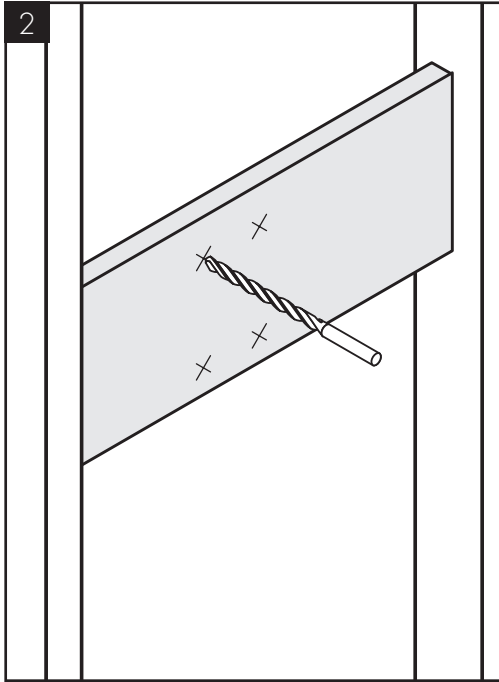
Assurez-vous que pièce intérieure est au niveau.

Asegúrese de que la pieza interior de válvula quede nivelado.

Mark the positions of the screw holes.

Marquez les positions des trous de vissage.

Marque las posiciones de los orificios para tornillos.



ENGLISH

FRANÇAIS

ESPAÑOL

Drill the holes.

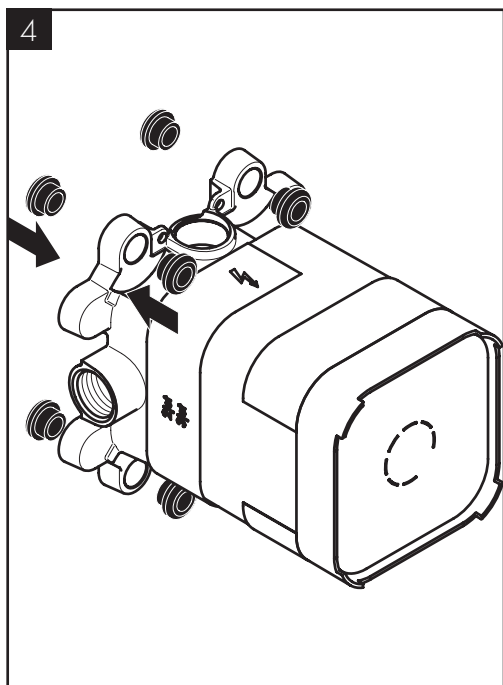
Percez les trous de vissage.

Perfore los orificios para tornillos.

Install the studs.

Installez les vis.

Installez les vis.

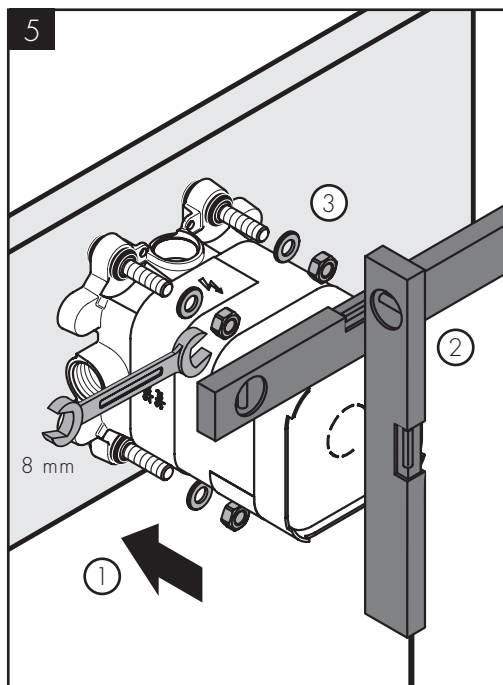


ENGLISH

Install the noise reducers on the rough.

Install the rough with the washers and nuts.

Make sure that the rough is level.



FRANÇAIS

Installez les atténuateurs de bruit.

Installez le pièce intérieure.

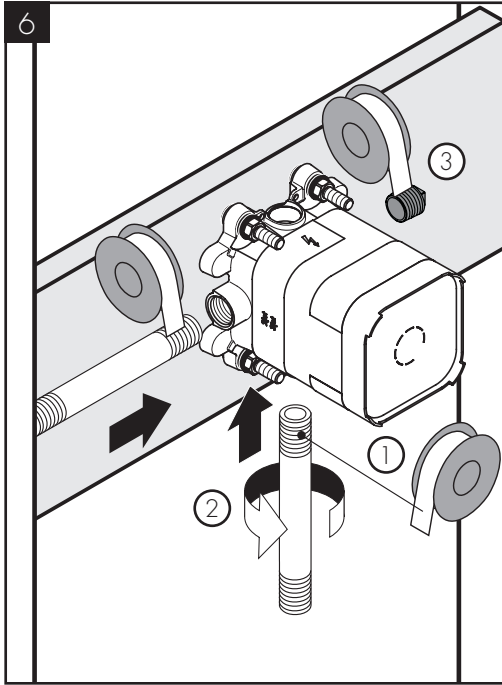
Assurez-vous que pièce intérieure est au niveau.

ESPAÑOL

Instale los reductores de ruido.

Instale la válvula.

Asegúrese de que la pieza interior de válvula quede nivelado.



ENGLISH

Install the inlet lines.

Install a 1/2" plug in the unused port.

FRANÇAIS

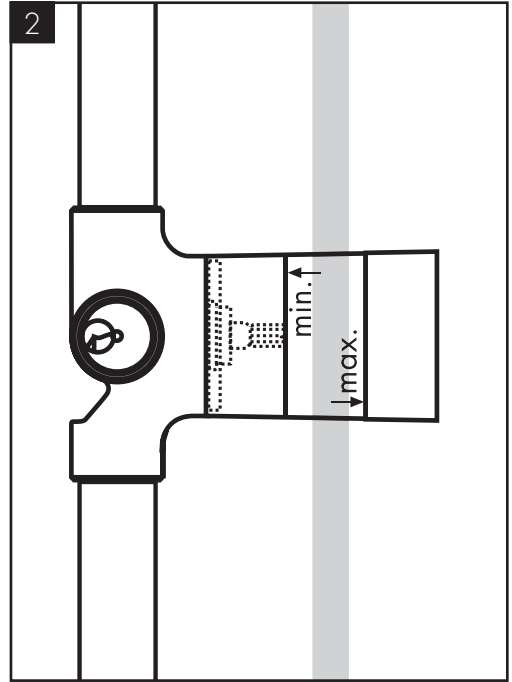
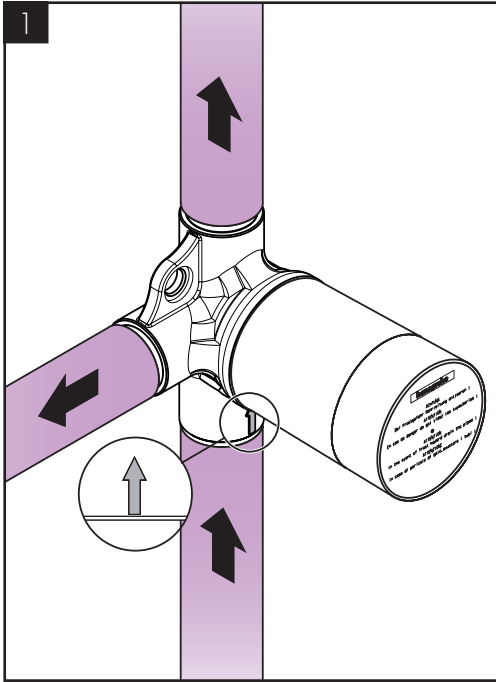
Installez les tuyaux.

Bouchez l'orifice non utilise.

ESPAÑOL

Instale las tuberías.

Tape el orificio sin usar.



ENGLISH

FRANÇAIS

ESPAÑOL

An arrow showing the direction of the water flow is cast into the valve body.

- ⚠ The water must flow through the valve in that direction or damage to the cartridge will occur.

Install the valve so that the outside surface of the finished wall falls between the "minimum" and "maximum" lines marked on the plaster shield.

- ⚠ Do not remove the plaster shield from the valve.

Une flèche indiquant la direction du débit figure sur le corps de la valve.

- ⚠ Si l'eau ne coule pas dans la valve dans cette direction, la cartouche sera endommagée.

Installez la valve de façon à ce que la surface extérieure du mur fini tombe entre les lignes « minimum » et « maximum » figurant sur le protecteur de plâtre.

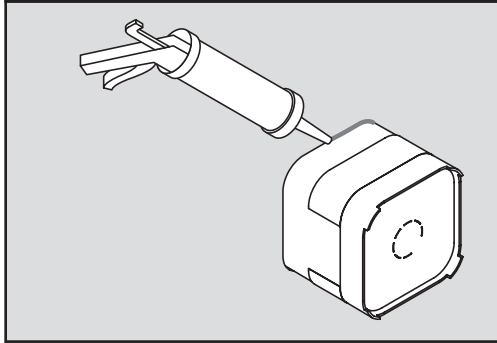
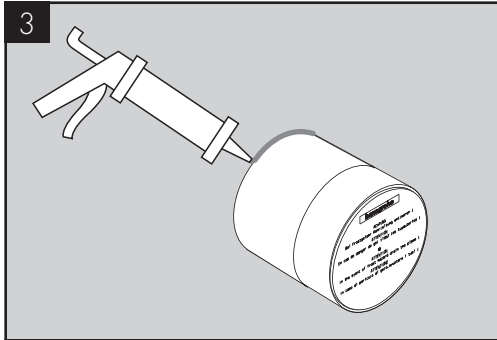
- ⚠ Ne retirez pas le protecteur de plâtre de la valve.

En el cuerpo de la válvula está fundida una flecha que muestra el sentido del flujo de agua.

- ⚠ El agua debe circular por la válvula en ese sentido, puesto que de lo contrario puede dañarse el cartucho.

Instale la válvula de modo que la superficie exterior de la pared terminada quede entre las líneas "min" y "max" marcadas en el protector de yeso.

- ⚠ No retire el protector de yeso de la válvula.



ENGLISH

Install the sheet rock or green board.

Seal the wall between the sheet rock or green board and the rough valves using waterproof sealant.

Spread adhesive on the wall around the rough(s).

⚠ Do not use hot glue.

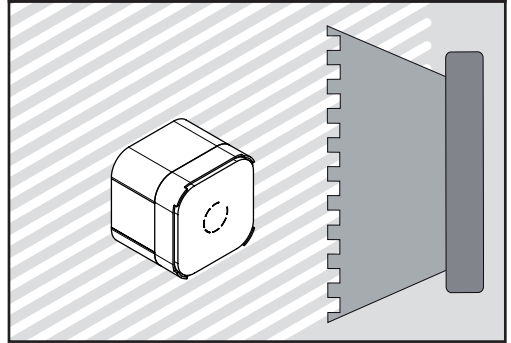
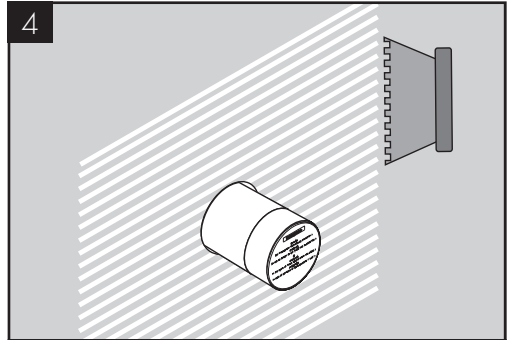
FRANÇAIS

Installez le panneau de plâtre.

Scellez l'espace entre le panneau de plâtre et le boîtier d'installation en utilisant un agent d'étanchéité.

Appliquez un adhésif sur le mur et les boîtiers.

⚠ N'utilisez pas de colle chaude.



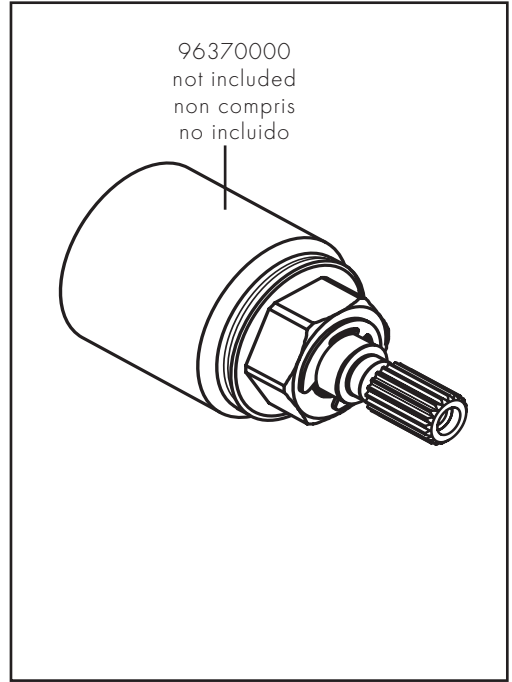
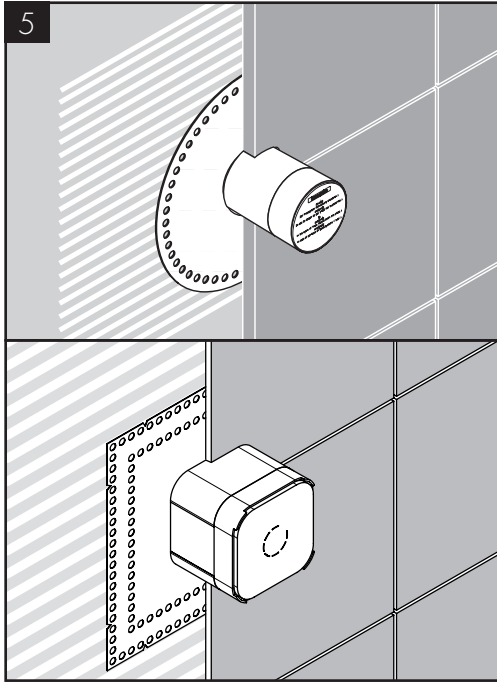
ESPAÑOL

Instale la placa de yeso.

Selle el espacio entre la placa de yeso y la caja de instalación con un sellador impermeable.

Aplique adhesivo a la pared y a la caja.

⚠ No use cola caliente.



ENGLISH

Install the gaskets.

Install the tile or other finished wall surface over the gaskets and against the roughs.

If the outside surface of the finished wall extends beyond the "maximum" marking on the plaster shield, order extension 96370000 through your Hansgrohe dealer for the Trio Green diverter.

FRANÇAIS

Installez le collet d'étanchéité.

Installez la surface de mur fini sur le collet d'étanchéité et contre le boîtier d'installation.

Si la surface extérieure du mur fini va au-delà de la marque « maximum » du protecteur de plâtre, commandez une rallonge 96370000 auprès de votre détaillant Hansgrohe.

ESPAÑOL

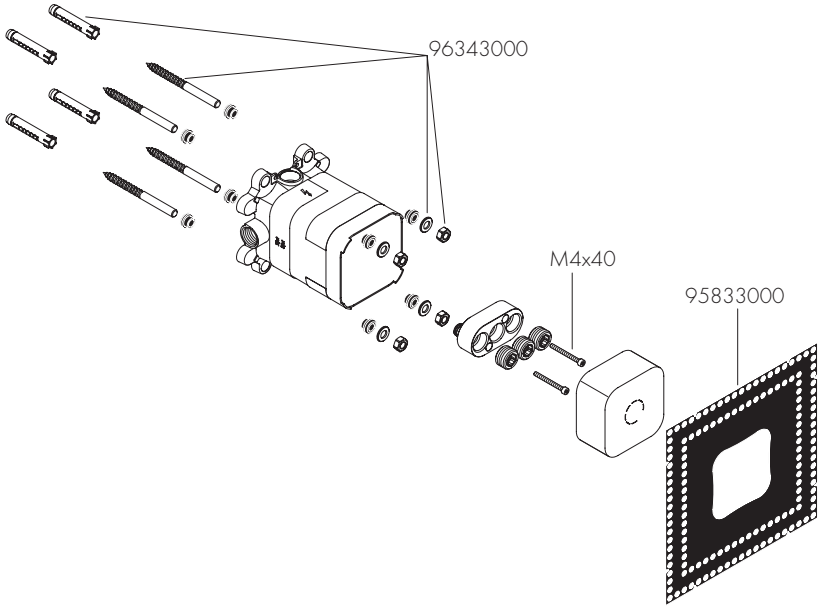
Instale el collar de sellado.

Instale la superficie de la pared terminada sobre el collar de sellado y contra la caja de instalación.

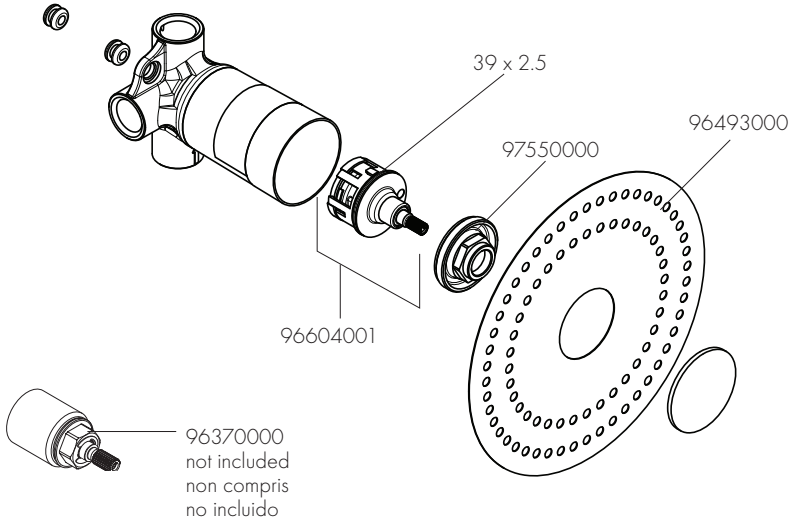
Si la superficie exterior de la pared terminada se extiende más allá de la marca de "máximo" del protector de yeso, solicite la extensión 96370000 al concesionario de Hansgrohe.

REPLACEMENT PARTS / PIÈCES DÉTACHÉES / REPUESTOS

AXOR ShowerSolutions
35361181



Trio Green
30371441



HANSGROHE, INC. LIMITED WARRANTY

Offering our customers the highest quality at all times is a fundamental part of the Hansgrohe, Inc. company philosophy. We offer consumers a limited warranty on our hansgrohe® and AXOR® branded products.

This warranty is limited to products manufactured by Hansgrohe, Inc. that are purchased from a Hansgrohe, Inc. authorized seller by a consumer in the United States or Canada after September 1, 2019, and installed in either the United States or in Canada.

WARRANTY

Hansgrohe, Inc. warrants to the original consumer purchaser that hansgrohe and AXOR products will be free from defects in material and workmanship for as long as the original consumer purchaser owns both the product and the home in which the product was originally installed. For commercial purchasers, the warranty period is (a) one (1) year for hansgrohe products and (b) five (5) years for AXOR products, in each case from the date of purchase. The warranty period for products in the Rubbed Bronze, Matte Black and Matte White finishes are three (3) years from the date of purchase. This warranty is non-transferable.

WHAT WE WILL DO

Hansgrohe, Inc., at its option, will replace any product or part of the product that proves defective in workmanship and/or material, under normal installation, use, service and maintenance. If Hansgrohe, Inc. is unable to provide a replacement part or product and repair is not practical or cannot be made in timely fashion, Hansgrohe, Inc. may elect to refund the purchase price in exchange for the return of the defective product. REPAIR OR REPLACEMENT (OR, IN LIMITED CIRCUMSTANCES, REFUND OF THE PURCHASE PRICE) AS PROVIDED UNDER THIS LIMITED WARRANTY IS THE EXCLUSIVE REMEDY OF THE PURCHASER.

WHAT IS NOT COVERED BY THE WARRANTY

Because Hansgrohe, Inc. is unable to control the quality of hansgrohe or AXOR products sold by unauthorized sellers, unless otherwise prohibited by law, this warranty does not cover hansgrohe or AXOR products purchased from unauthorized sellers. Authorized sellers can be found on hansgrohe and AXOR branded websites.

Labor and other expenses for disconnection, deinstallation, or return of the product for warranty service (including but not limited to proper packaging and shipping costs), or for installation or reinstallation of the product are not covered by this warranty.

Hansgrohe, Inc. shall not be liable for any damage to the product resulting from

- reasonable wear and tear
- outdoor use
- misuse (including use of the product for an unintended application)
- freezing water
- excessive water pressure
- pipe corrosion in the home in which the product is installed
- abuse, neglect or improper or incorrectly performed installation, maintenance or repair, including the use of abrasive or caustic cleaning agents or "no-rinse" cleaning products.

This warranty does not cover: (i) accessories, connected materials and products, or related products not manufactured by Hansgrohe, Inc. (ii) any hansgrohe or AXOR product sold for display purposes or (iii) hansgrohe or AXOR products purchased from unauthorized sellers.

WHAT YOU MUST DO TO OBTAIN WARRANTY SERVICE OR INFORMATION

Contact your retailer, or contact Technical Service at:

Hansgrohe, Inc.
1492 Bluegrass Lakes Parkway
Alpharetta, GA 30004
Toll-free 800-334-0455

In requesting warranty service, you will need to provide:

1. The sales receipt or other evidence of the date and place of purchase.
2. A description of the problem.
3. Delivery of the product or the defective part, postage prepaid and carefully packed and insured, to:

Hansgrohe, Inc.
1492 Bluegrass Lakes Parkway
Alpharetta, GA 30004
Toll-free 800-334-0455

When warranty service is completed, any repaired or replacement product or part will be returned to you postage prepaid.

REVISED SEPTEMBER 1, 2019.

LIMITATION ON DURATION OF IMPLIED WARRANTIES: Some States do not allow limitations on how long an implied warranty lasts, so the below limitations may not apply to you. TO THE MAXIMUM EXTENT PERMITTED BY APPLICABLE LAW, ANY IMPLIED WARRANTY, INCLUDING THE IMPLIED WARRANTIES OF MERCHANTABILITY AND OF FITNESS FOR A PARTICULAR PURPOSE, IS LIMITED TO THE STATUTORY PERIOD OR THE DURATION OF THIS WARRANTY, WHICHEVER IS SHORTER.

LIMITATION OF SPECIAL, INCIDENTAL OR CONSEQUENTIAL DAMAGES: Some States do not allow the exclusion or limitation of incidental or consequential damages, so the below limitations and exclusions may not apply to you. TO THE MAXIMUM EXTENT PERMITTED BY APPLICABLE LAW, THIS WARRANTY DOES NOT COVER, AND HANSGROHE, INC. SHALL NOT BE LIABLE FOR, ANY SPECIAL, INCIDENTAL OR CONSEQUENTIAL DAMAGES (INCLUDING LABOR CHARGES TO REPAIR, REPLACE, INSTALL OR REMOVE THIS PRODUCT), WHETHER ARISING OUT OF BREACH OF ANY EXPRESS OR IMPLIED WARRANTY, BREACH OF CONTRACT, TORT, OR OTHERWISE. HANSGROHE, INC. SHALL NOT BE LIABLE FOR ANY DAMAGE TO THE PRODUCT RESULTING FROM REASONABLE WEAR AND TEAR, OUTDOOR USE, MISUSE (INCLUDING USE OF THE PRODUCT FOR AN UNINTENDED APPLICATION), FREEZING WATER, EXCESSIVE WATER PRESSURE, PIPE CORROSION IN THE HOME IN WHICH THE PRODUCT IS INSTALLED, ABUSE, NEGLECT OR IMPROPER OR INCORRECTLY PERFORMED INSTALLATION, MAINTENANCE

OR REPAIR, INCLUDING THE USE OF ABRASIVE OR CAUSTIC CLEANING AGENTS OR "NO-RINSE" CLEANING PRODUCTS.

NOTICE TO RESIDENTS OF THE STATE OF NEW JERSEY:
The provisions of this warranty, including its limitations, are intended to apply to the fullest extent permitted by the laws of the State of New Jersey.

This warranty gives you specific legal rights, and you may also have other rights which vary from state to state.

PRODUCT INSTRUCTIONS AND QUESTIONS

Upon purchase or prior to installation, please carefully inspect your product for any damage or visible defect. Prior to installing, always carefully study the enclosed instructions on the proper installation and the care and maintenance of this product.

If you have questions at any time about the use, installation or performance of your product, or the Limited Warranty, please write us or call us toll-free at 800-334-0455.

AXOR

AXOR / Hansgrohe, Inc.

1490 Bluegrass Lakes Parkway

Alpharetta, GA 30004

Tel. 800-334-0455

Fax 770-889-1783

axor-design.com