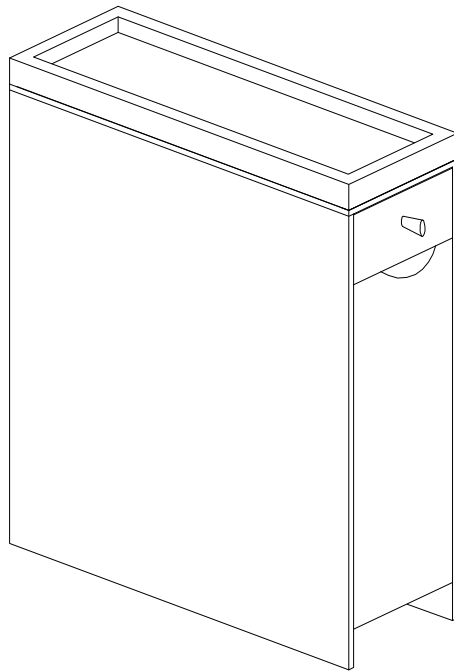


ASSEMBLY INSTRUCTIONS

Slim Bathroom Cabinet With 1 top tray 1 drawer and 1 slide out drawer storage



Please provide the following information when contacting for parts or questions: the name of the company you purchased from, the UPS/FedEx tracking number.

ASSEMBLY INSTRUCTIONS-IMPORTANT

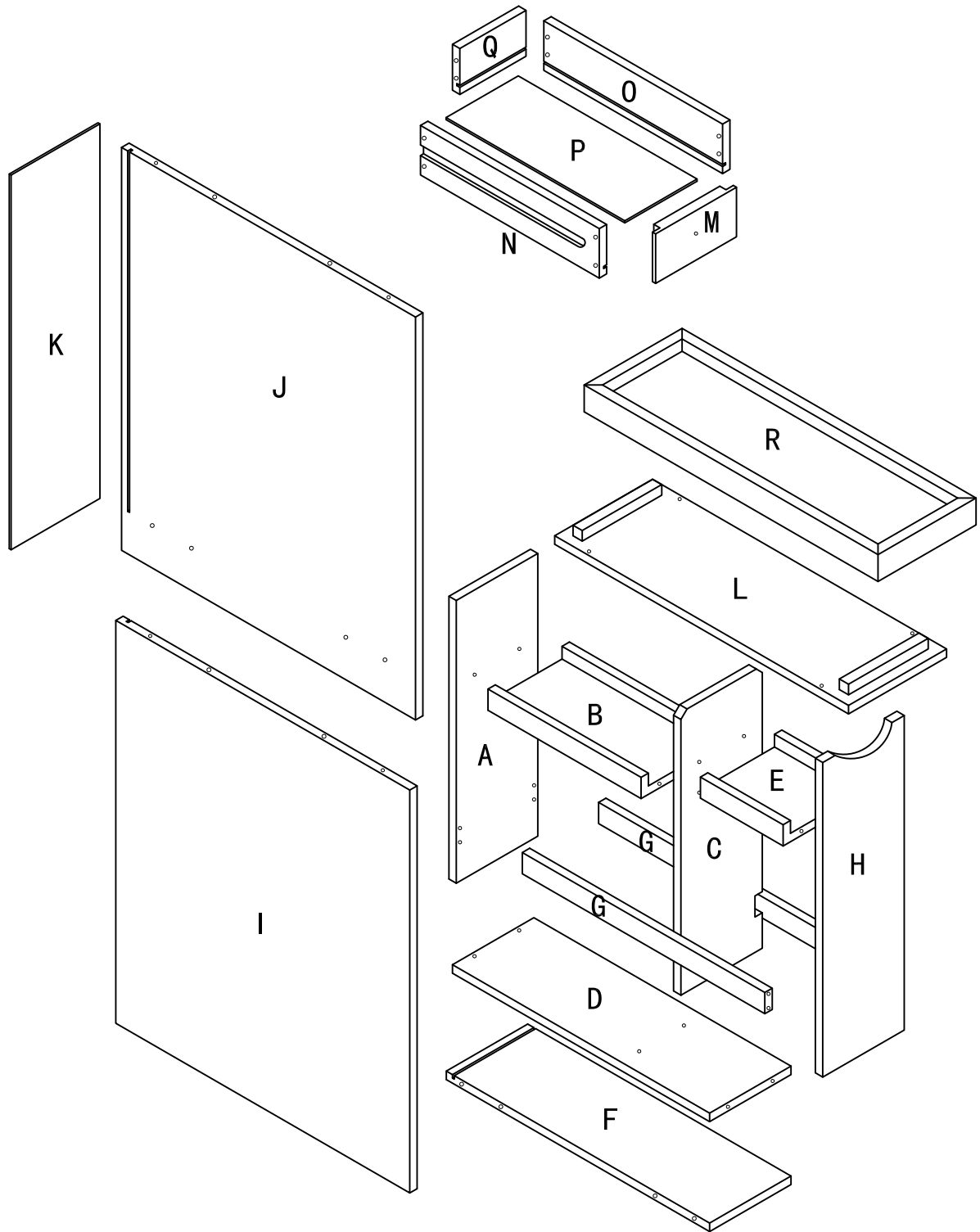
Carefully unpack & identify each component before attempting to assemble. Refer to parts list. Please take care when assembling the unit and always set the parts on a clean, soft surface. If you require any assistance with assembly, parts, please call the company you place order with or please email to: USA:service@eleganthf.net / EU:suppliers@teamson.co.uk

INSTRUCCIONES PARA ARMAR-IMPORANT:





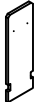
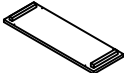
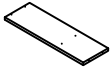


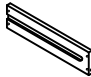


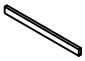
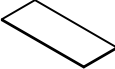


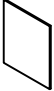
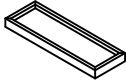
Desempaque cuidadosamente e identifique cada componente antes de tartar de empezar su ensambladura. Verifique la lista de partes. Por favor tenga cuidado cuando arme la unidad y siempre coloque las piezas sobre una superficie plana, suave y limpia. Si necesita ayuda con el armado, envíe un correo electzórico a USA:service@eleganthf.net
EU:suppliers@teamson.co.uk

DIRECTIVES DE MONTAGE-IMPORTANT:

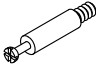



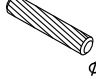



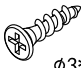

Avant de commencer l' assemblage, déballez délicatement toutes les pièces et repérez-les sur la liste des pièces. Procédez avec soins durant l' assemblage et posez toujours les pièces sur une surface proper, douce et lisse. sie vouo plait e-mail á USA:service@eleganthf.net
EU:suppliers@teamson.co.uk



COMPONENTS

PART	FIGURE	DESCRIPTION	QTY	PART	FIGURE	DESCRIPTION	QTY
A		STORAGE BACK PANEL	1PC	J		RIGHT SIDE PANEL	1PC
B		STORAGE SHELF	1PC	K		BACK PANEL	1PC
C		STORAGE PARTITION	1PC	L		TRAY BOTTOM PANEL	1PC
D		STORAGE BASE BOARD	1PC	M		DRAWER FACE	1PC
E		STORAGE SHELF	1PC	N		DRAWER LEFT SIDE PANEL	1PC
F		BOTTOM PANEL	1PC	O		DRAWER RIGHT SIDE PANEL	1PC
G		STORAGE RAIL	2PCS	P		DRAWER BOTTOM PANEL	1PC
H		DOOR	1PC	Q		DRAWER BACK PANEL	1PC
I		LEFT SIDE PANEL	1PC	R		TRAY	1PC

HARDWARE & TOOLS

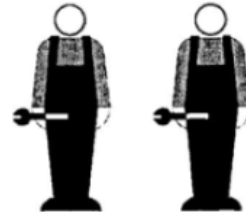
PART	FIGURE	DESCRIPTION	QTY	PART	FIGURE	DESCRIPTION	QTY
1		CAM BOLT	8PCS	6	 ø5*30	WOODEN DOWEL	8PCS
2		CAM LOCK	8PCS	7	 ø4*25 D=8	SCREW	22PCS
3	 ø6*30	WOODEN DOWEL	8PCS	8		KNOB	1PC
4		SLIDING RAIL	2PCS	9		DRAWER STOPPER	2PCS
5	 ø3*10	SCREW	8PCS	10	 ø4*30 D=8	SCREW	1PC

TOOL NEEDED:



**PHILIPS SCREWDRIVER REQUIRED
- NOT INCLUDED**

SUGGESTION:



TWO PEOPLE FOR ASSEMBLING



WARNINGS:

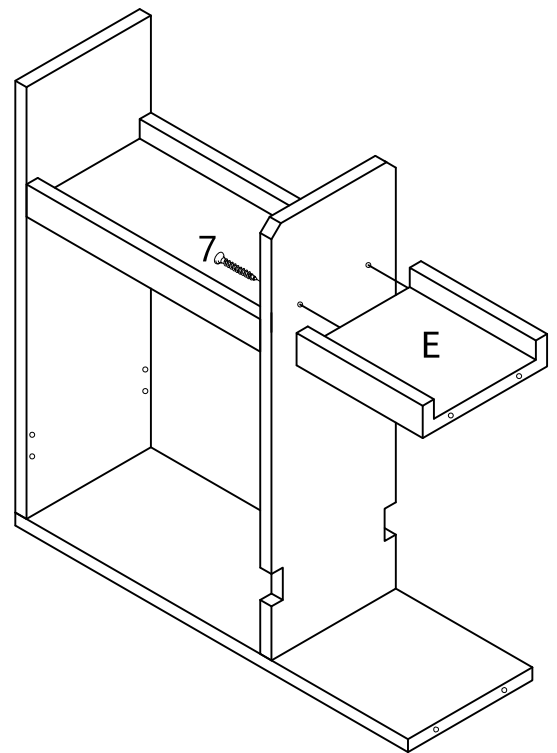
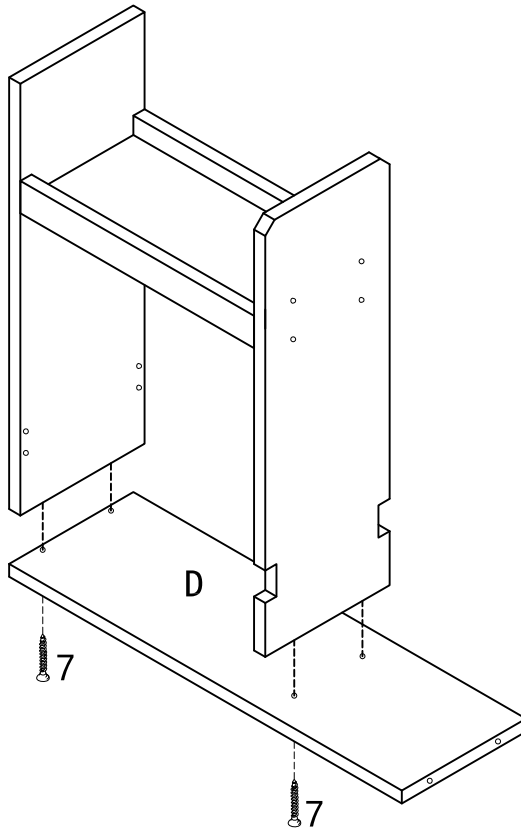
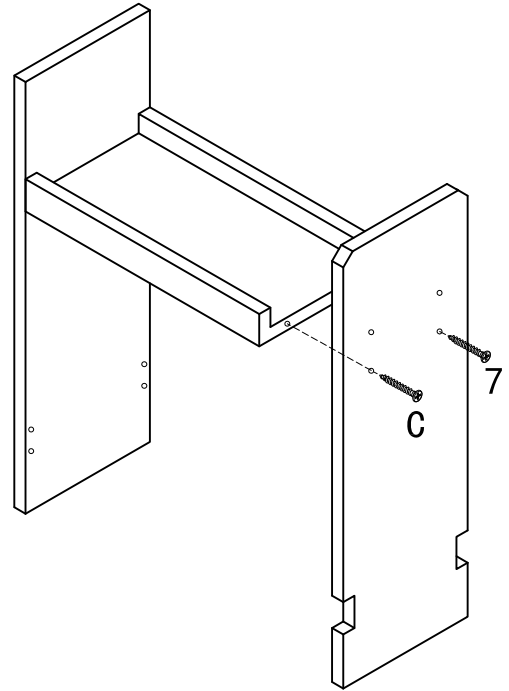
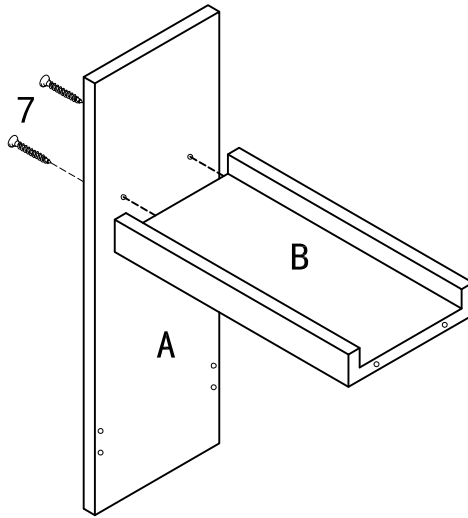
1. DO NOT LET ANY SHARP OBJECTS TOUCH OR RUB THE SURFACE OF THE PRODUCT.
2. WHEN ASSEMBLING, DO NOT LET CHILDREN PLAY AROUND THE WORKING AREA.
3. PLEASE CONFIRM ALL PARTS ARE CORRECT BEFORE STARTING THE ASSEMBLY PROCESS.
4. DO NOT TIGHTEN ALL BOLTS AND SCREWS COMPLETELY UNTIL THE ENTIRE UNIT HAS BEEN ASSEMBLED AND SET UP.

1

7



10 PCS



STEP 1:

1. Attach part B to part A with screws (7).
2. Attach part C to part B with screws (7) as indicated..
3. Attach part D to the bottom of A & C with screws (7).
4. Attach part E to part C with screws (7) as indicated.

2

4

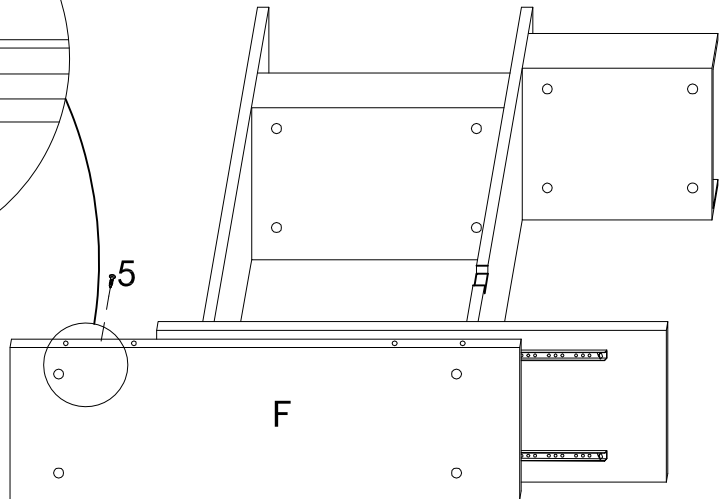
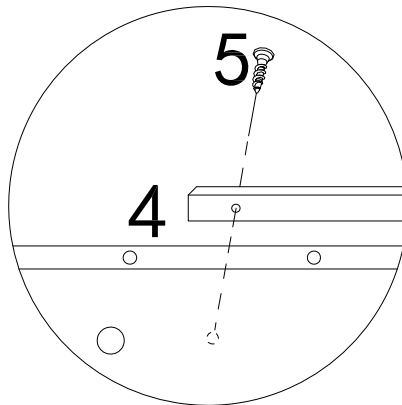
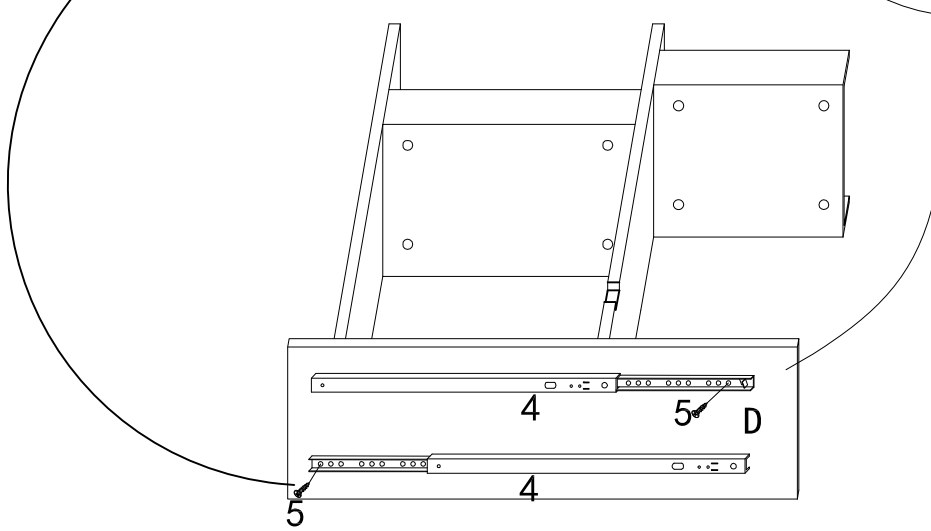
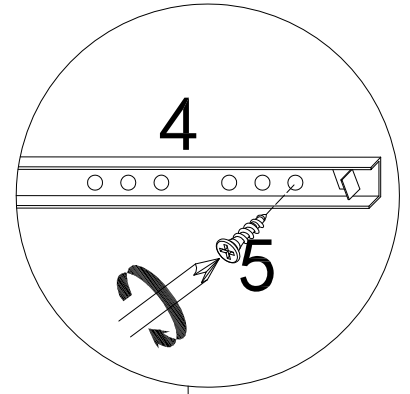
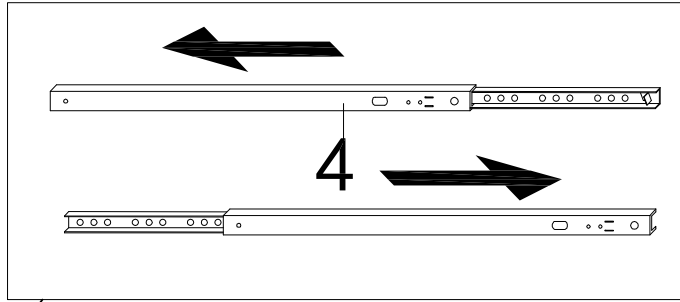


2 PCS

5



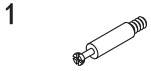
6 PCS



STEP 2:

1. Attach sliding rail (4) to the bottom of part D with screws (5)
2. Attach the other side of sliding rail (4) to the part F with screws (5) as indicated..

3



4 PCS



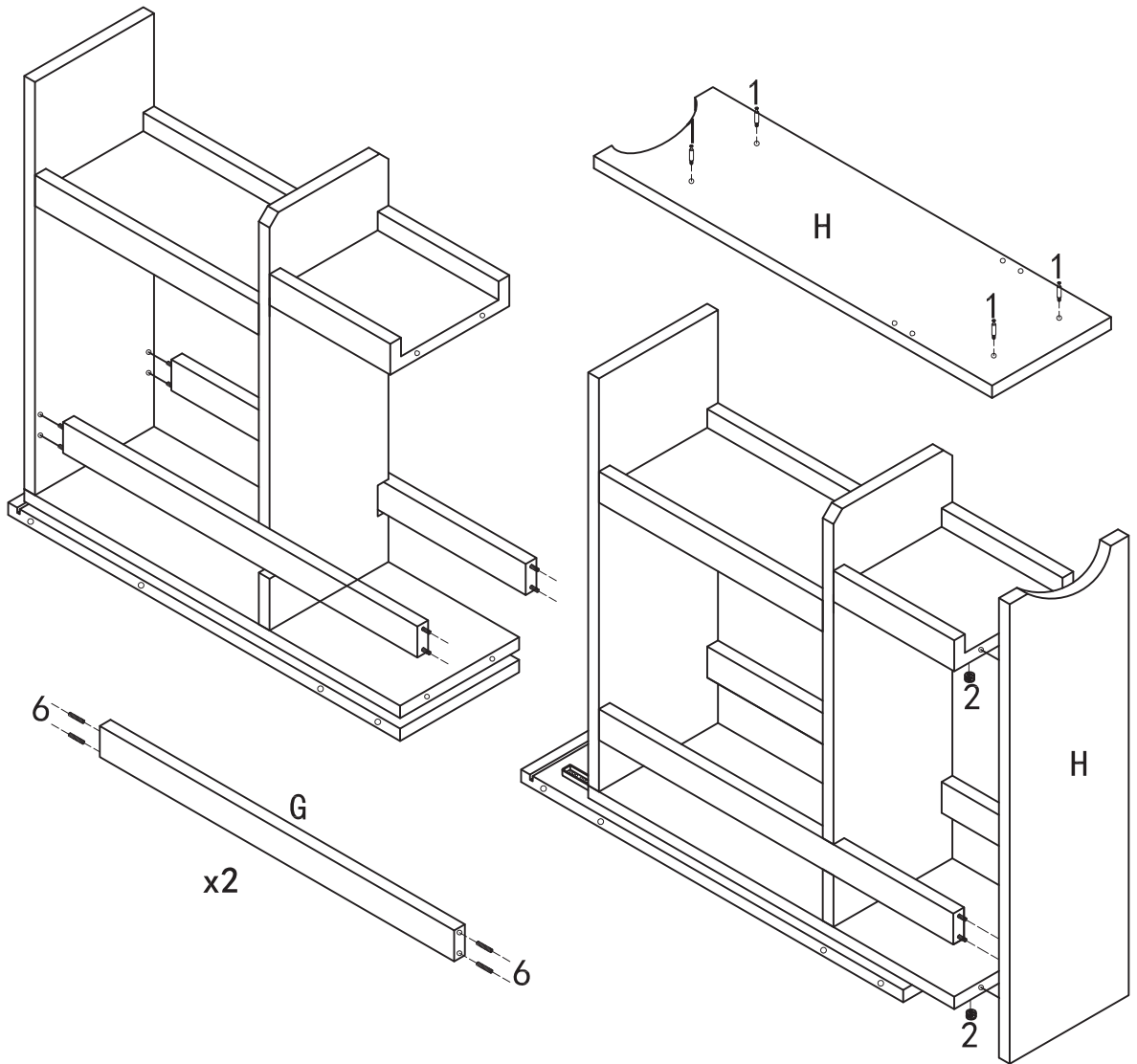
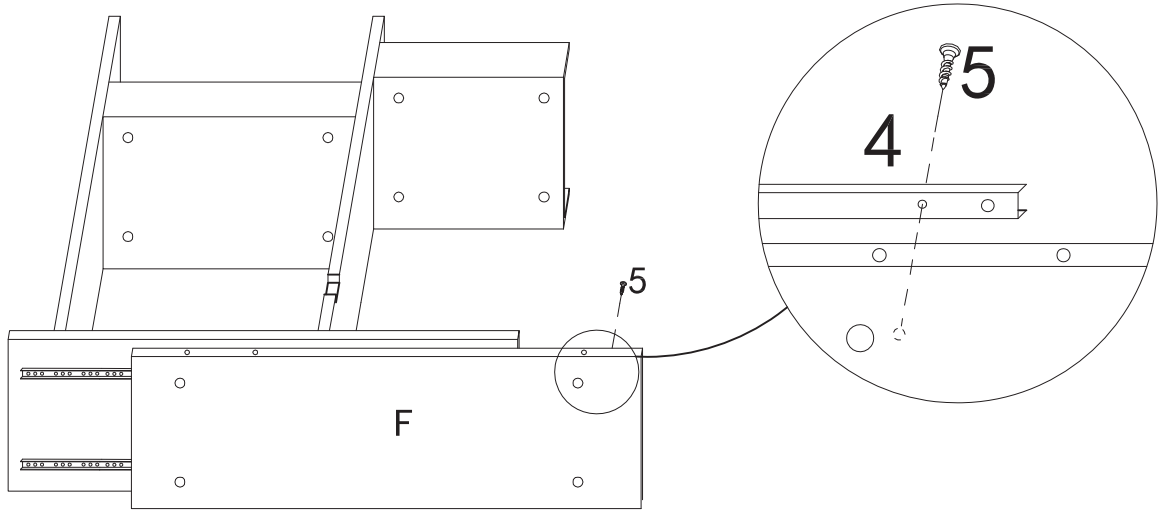
4 PCS



2 PCS



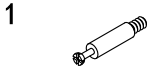
8 PCS



STEP 3:

1. Attach the other side of sliding rail (4) to the part F with screws (5) as indicated.
2. Screw the cambolts (1) into part H.
3. Attach part Hs to part E, G, D with screwing camlocks (2) as indicated.

4



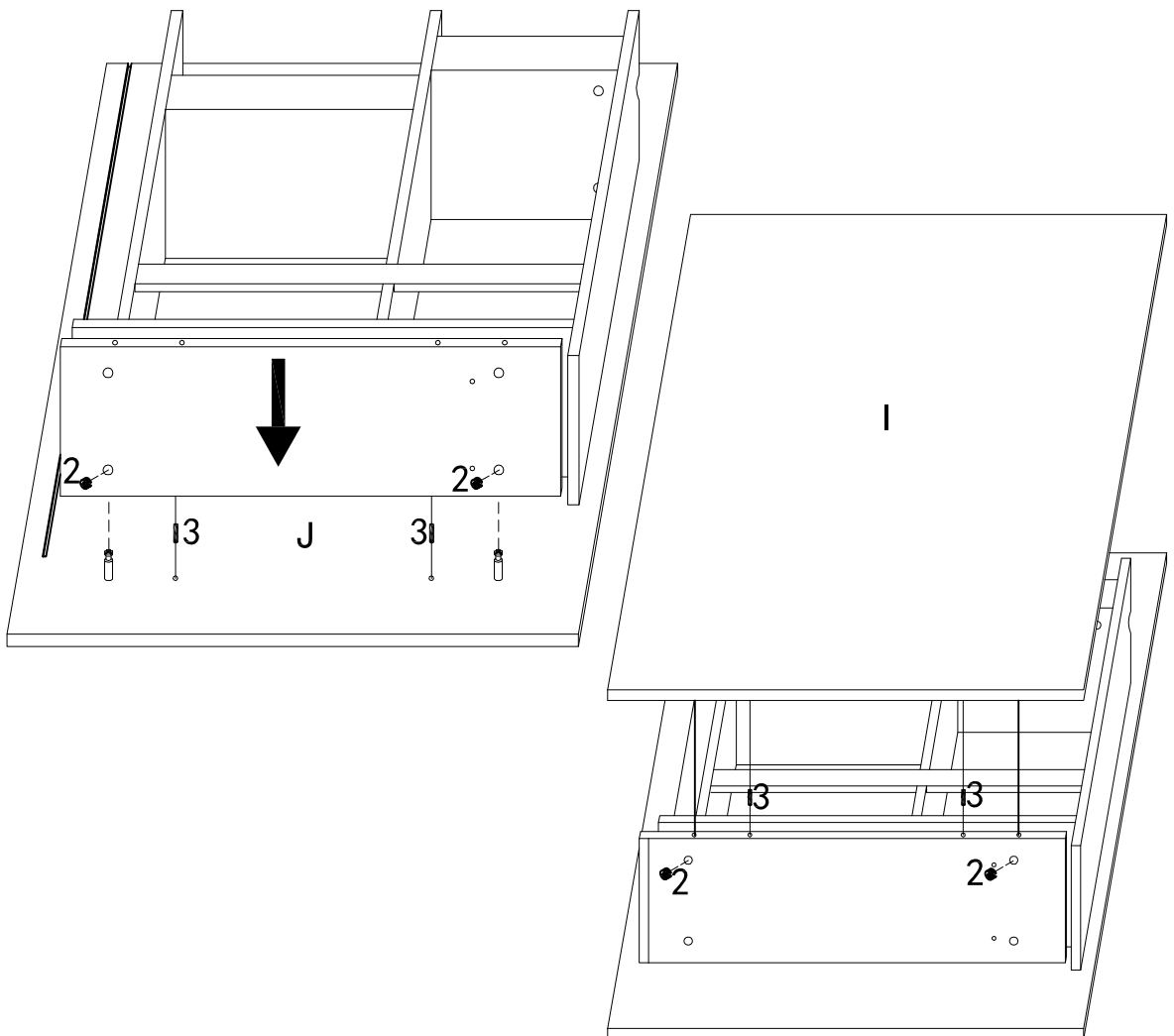
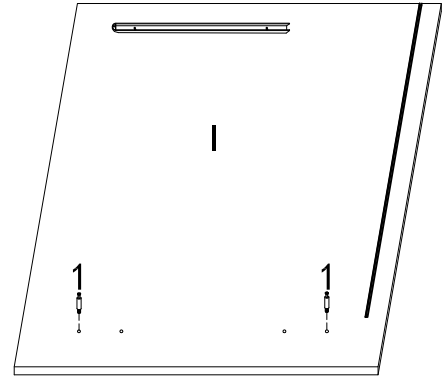
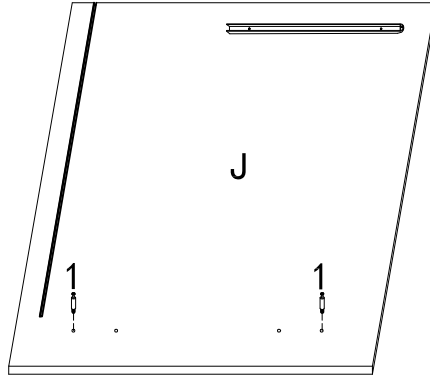
4 PCS



4 PCS



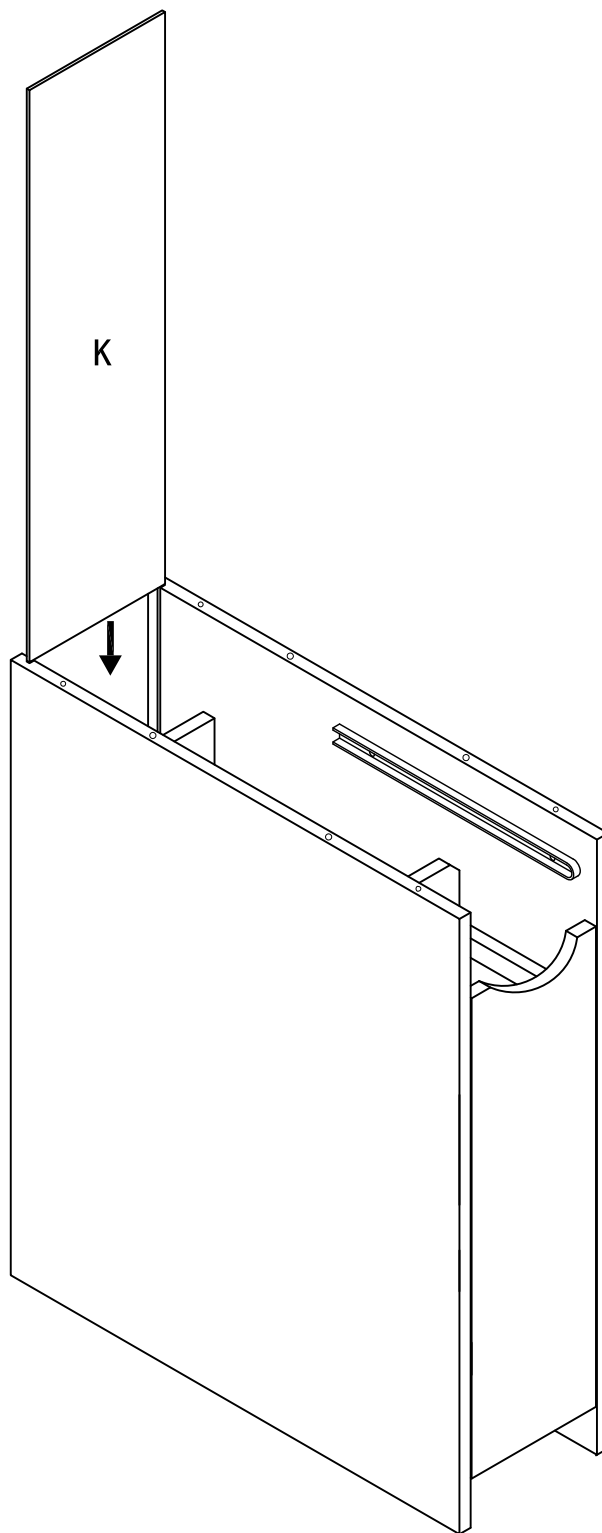
4 PCS



STEP 4:

1. Screw cambolts (1) into part I & J.
2. Attach the assembled storage to the part J with dowels (3) and secure with camlocks (2).
3. Attach part I to the assembled storage with dowels (3) and secure with camlocks (2).

5



STEP 5:

1. Slide the part K into the groove of back of cabinet as indicated.

6**3**

4 PCS

7

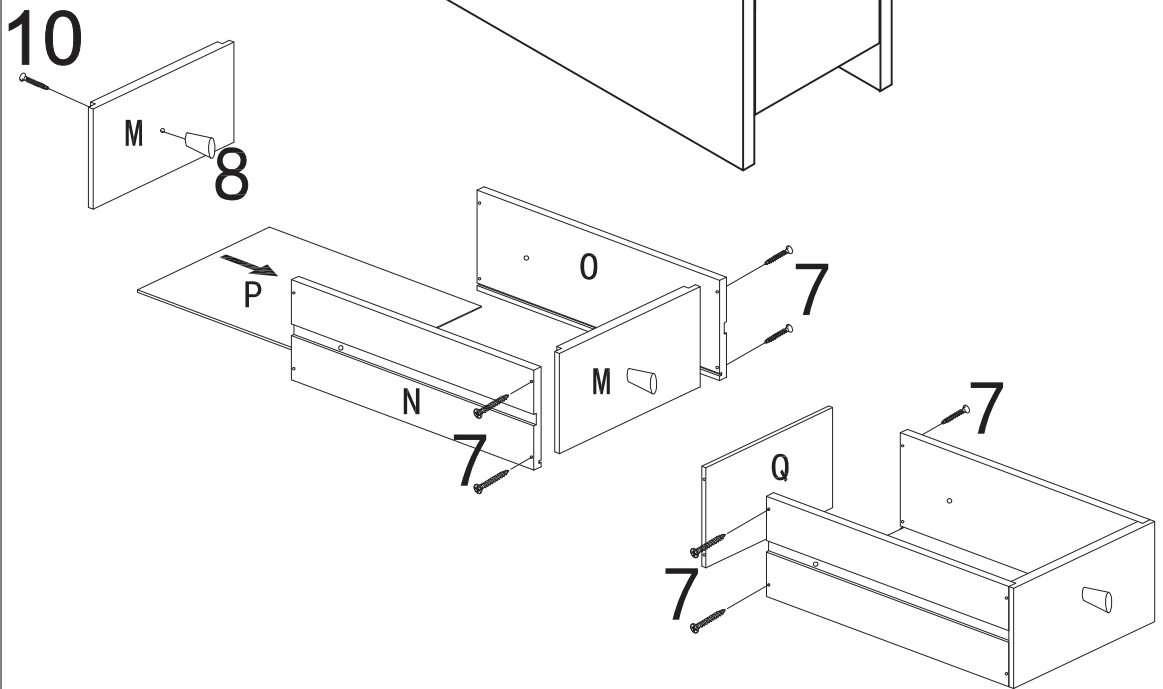
12 PCS

8

1 PC

10

1 PC

**STEP 6:**

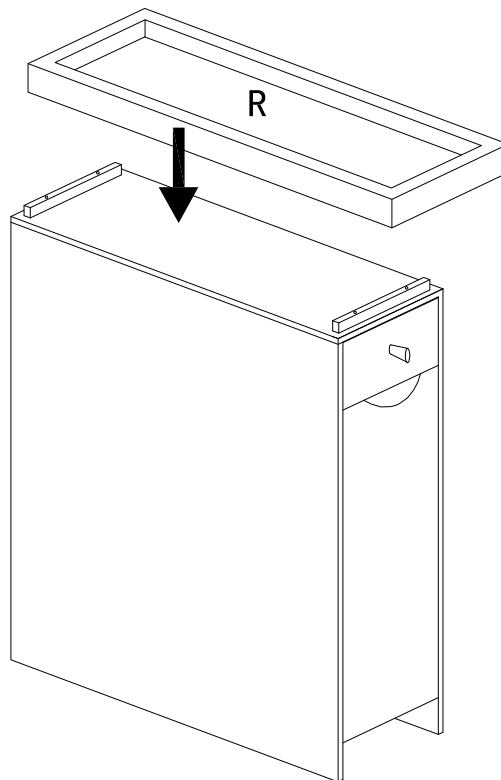
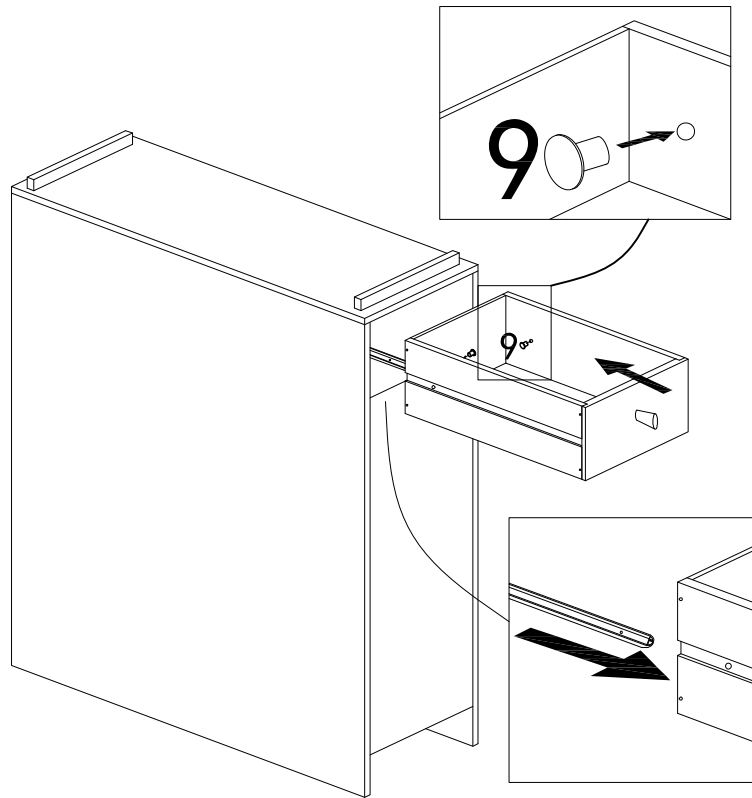
1. Attach part L to the top of cabinet with dowels (3) and screws (7).
2. Attach knob (8) the the part M with screw (10).
3. Attach part N & O to the part M with screws (7).
4. Slide the part P to the groove of part N & O as indicated.
5. Attach part Q to the back of part N & O with screws (7).

7

9



2 PCS



STEP 7:

1. Slide the drawer to the cabinet with drawer stopper (9) as indicated.
2. Rest the tray to the top of the cabinet as indicated.