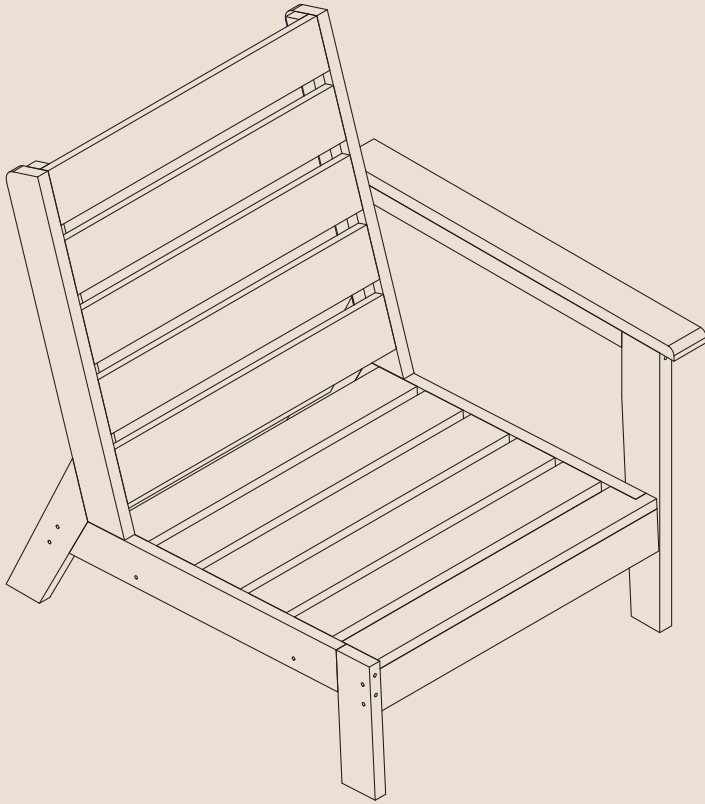


WWT
WESTINTRENDS
WWT

DESIGNED IN CALIFORNIA



DEEP SEATING RIGHT ARM FACING CHAIR

THANK YOU!

We appreciate you for choosing WestinTrends!

Thank you for letting WestinTrends continue to offer accessible luxury trends, inspired by everyone!

JOIN THE WESTINTRENDS COMMUNITY

Sign up here:

[***https://westintrends.com/welcome***](https://westintrends.com/welcome)



QUESTIONS OR COMMENTS?

If you have questions reach out to
[**cs@westintrends.com**](mailto:cs@westintrends.com)

FOLLOW, SHARE, & LEARN



PRODUCT REGISTRATION

[***https://westintrends.com/apps/product-registration***](https://westintrends.com/apps/product-registration)



! CARE & MAINTENANCE

Please keep these instructions for your future reference.

- Be careful when assembling to avoid damaging the plating of the surface.
- Clean the chair with lukewarm water, mild detergent & soft cloth.
- Firmly secure all bolts before use, do not use any part of this item as a step ladder.
- Make sure that all bolts, screws, and nuts are secure every 90 days.
- Do not use or store this item in the proximity of open flame or flammable/combustible chemicals.
- Be aware that some parts are heavy and have sharp edges.
- Do not overtighten screws (insert all screws before tightening screws).

TOOLS REQUIRED



ALLEN WRENCH
(PROVIDED)



WRENCH
(PROVIDED)



330 LBS
CAPACITY



2 PERSON
ASSEMBLY



UP TO 30 MIN.
ASSEMBLY

HARDWARE

1

SCREW
M6 x60mm



8 PCS

2

SCREW
M6 x50mm



1 PC

3

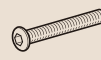
SCREW
M6 x100mm



7 PCS

4

BOLT
M6 x60mm



2 PCS

5

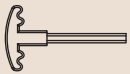
POLY CAP



3 PCS

6

ALLEN
WRENCH



1 PC

7

BOLT
M6 x75mm



2 PCS

8

WRENCH

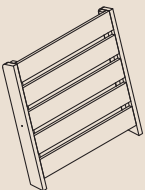


1 PC

PARTS

A

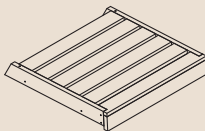
CHAIR BACKREST



1 PC

B

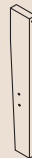
CHAIR SEAT



1 PC

C

CHAIR FRONT LEG



2 PCS

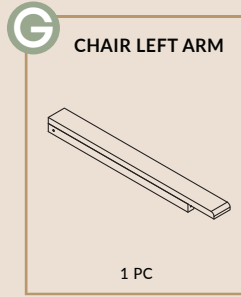
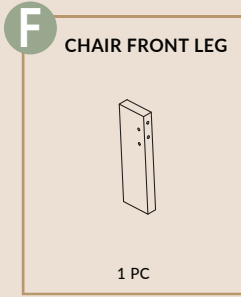
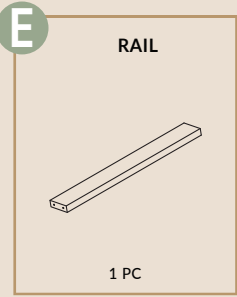
D

CHAIR REAR LEG



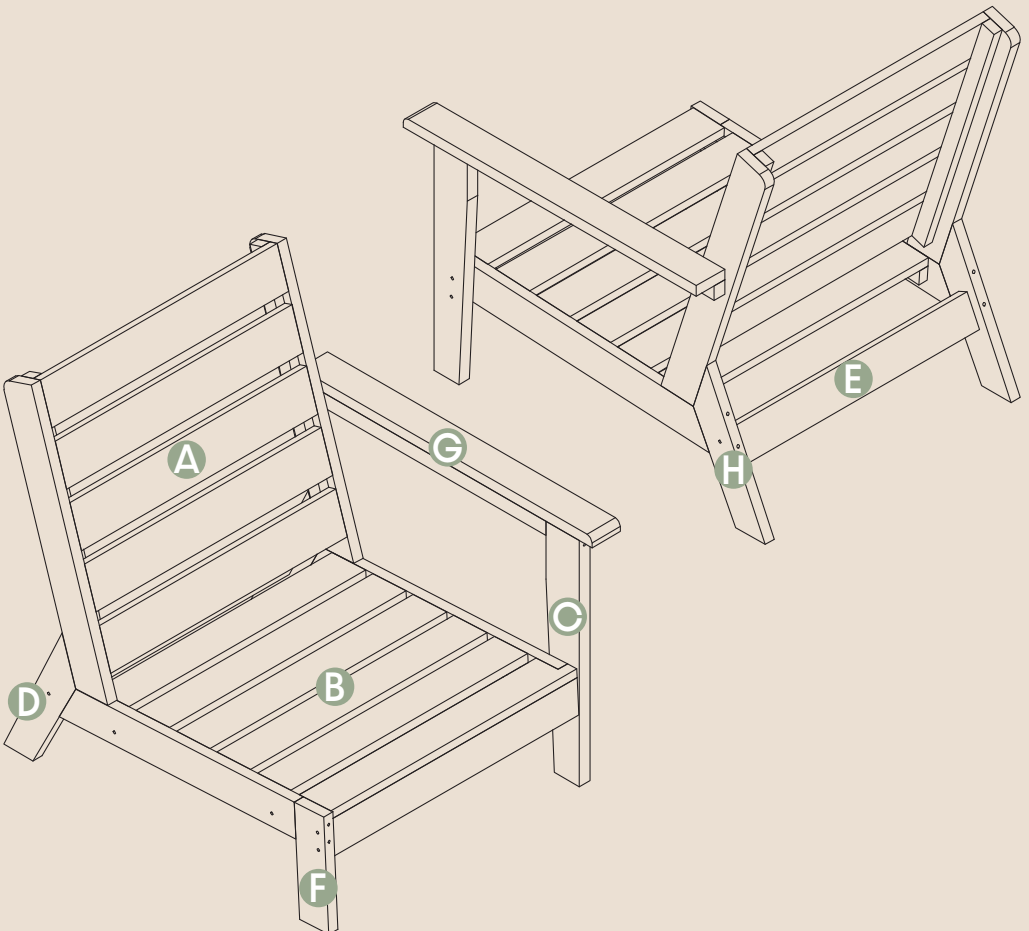
1 PC

PARTS



PRODUCT ASSEMBLY - OVERALL VIEW

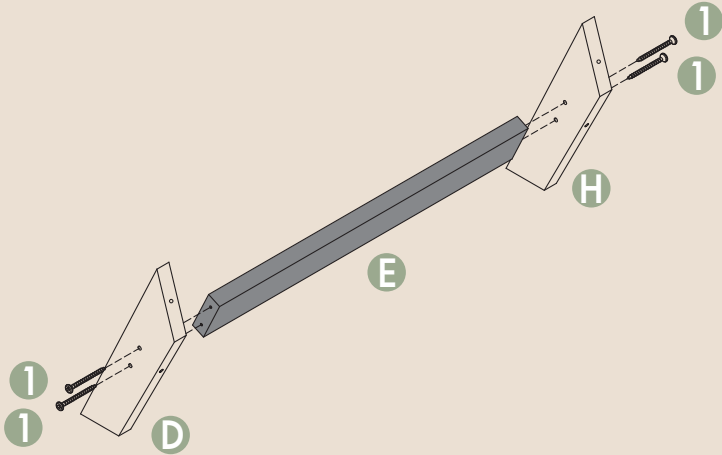
Look at following overall view of this chair and learn the exact position of each parts to be assembled.



PRODUCT ASSEMBLY

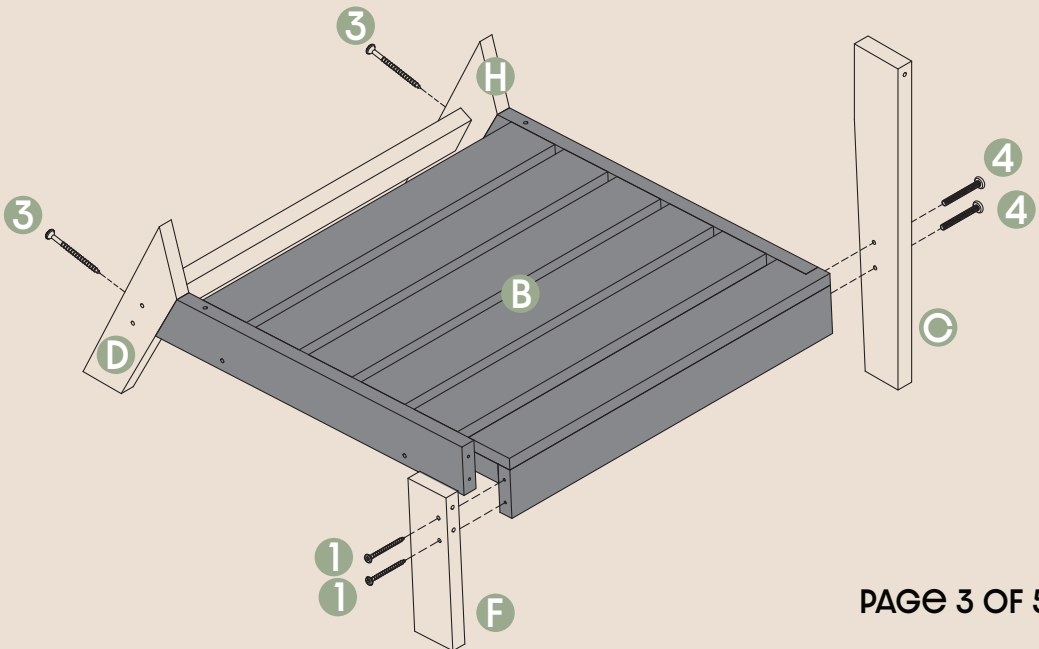
1

Attach **part E Rail** to **part D** and **part H Rear Leg** with 4 pcs of hardware **#1 Screw**.



2

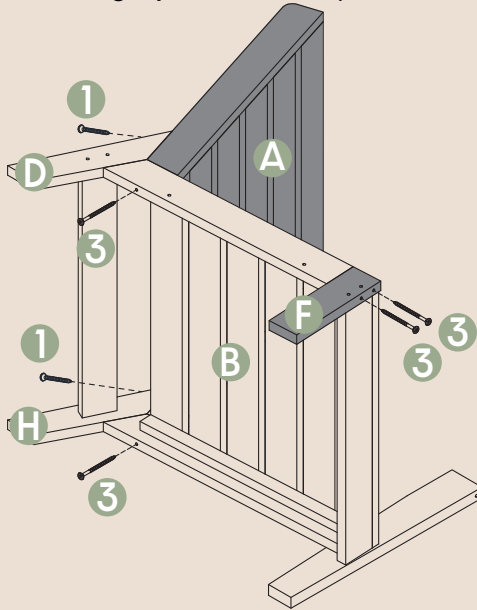
Attach **part D** and **part H Rear Leg** to **part B Seat** with 2 pcs of hardware **#3 Screw**.
Attach **part C Front Leg** to **part B Seat** with 2 pcs of hardware **#4 Bolt**.
Attach **part F Front Leg** to **part B Seat** with 2 pcs of hardware **#1 Screw**.



PRODUCT ASSEMBLY

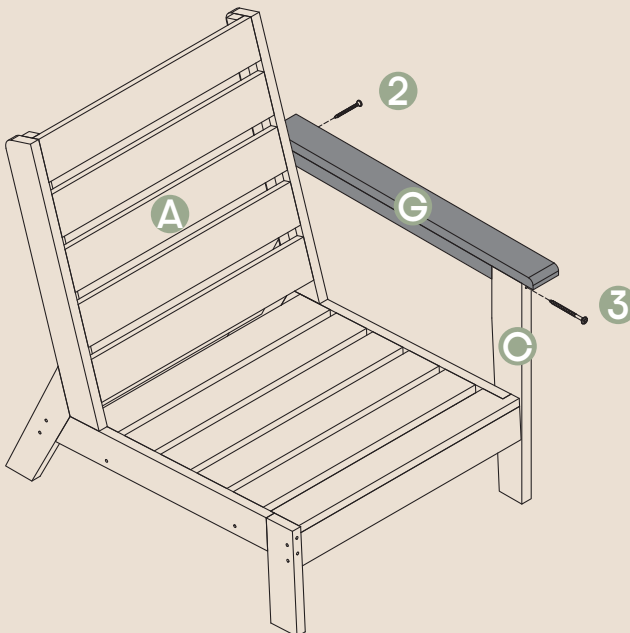
3

Attach **part A Backrest** to **part B Seat** with 2 pcs of hardware **#3 Screw**.
Attach **part D** and **part H Rear Leg** to **part A Backrest** with 2 pcs of hardware **#1 Screw**.
Attach **part F Front Leg** to **part B Seat** with 2 pcs of hardware **#3 Screw**.



4

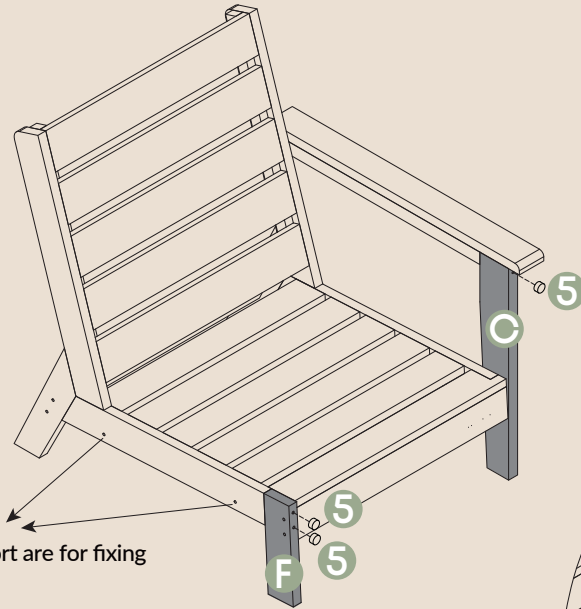
Attach **part G Left Arm** to **part A Backrest** with 1 pc of hardware **#2 Screw**.
Attach **part G Left Arm** to **part C Front Leg** with 1 pc of hardware **#3 Screw**.



PRODUCT ASSEMBLY

5

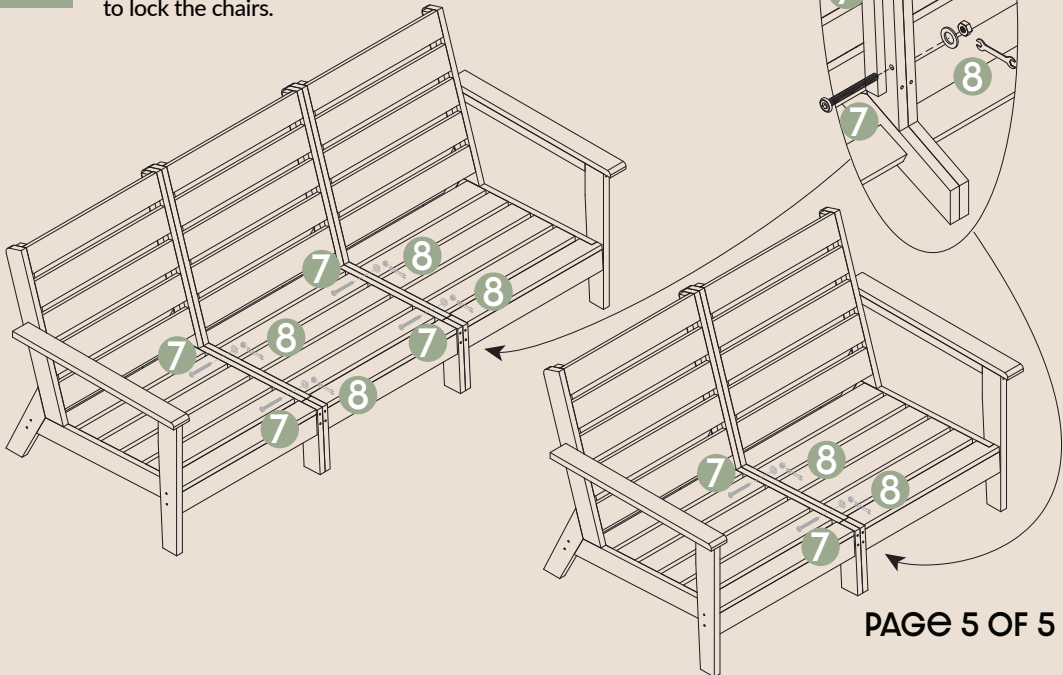
The poly cap here is not easy to remove after being plugged in, and may cause the arm and front leg to be hard to disassemble. Please pay attention and decide whether you really need this poly cap or not during assembly.



The holes on the seat support are for fixing the chair to other chairs.

6

If you want to combine two chairs or more chairs together, please do following steps. Use 2 pcs of hardware #7 Bolt to lock the chairs.



REGISTRATION & REFUND POLICY

<https://westintrends.com/apps/product-registration>



<https://westintrends.com/policies/refund-policy>



HAVING TROUBLE

- **Not sure how to assemble or missing pieces?**

Please contact our Customer Service Team for assistance at cs@westintrends.com

Have Order #, Part # or SKU ready to speed up customer service!

CLEANING TIPS

REGULAR CLEAN: Use a mixture of warm water and mild soap. Gently scrub the surface with a soft bristle brush to remove any dirt or stains.

QUICK CLEAN: You can simply wipe down the HDPE furniture with a damp cloth. The material's resilience makes it resistant to most spills and stains, ensuring a hassle-free maintenance routine.

Regular cleaning not only preserves the aesthetic appeal of your furniture but also helps extend its lifespan.

Pressure washer can be used for seriously deep-cleaning - **DO NOT exceed 1500 PSI** - this will remove debris and dirt.