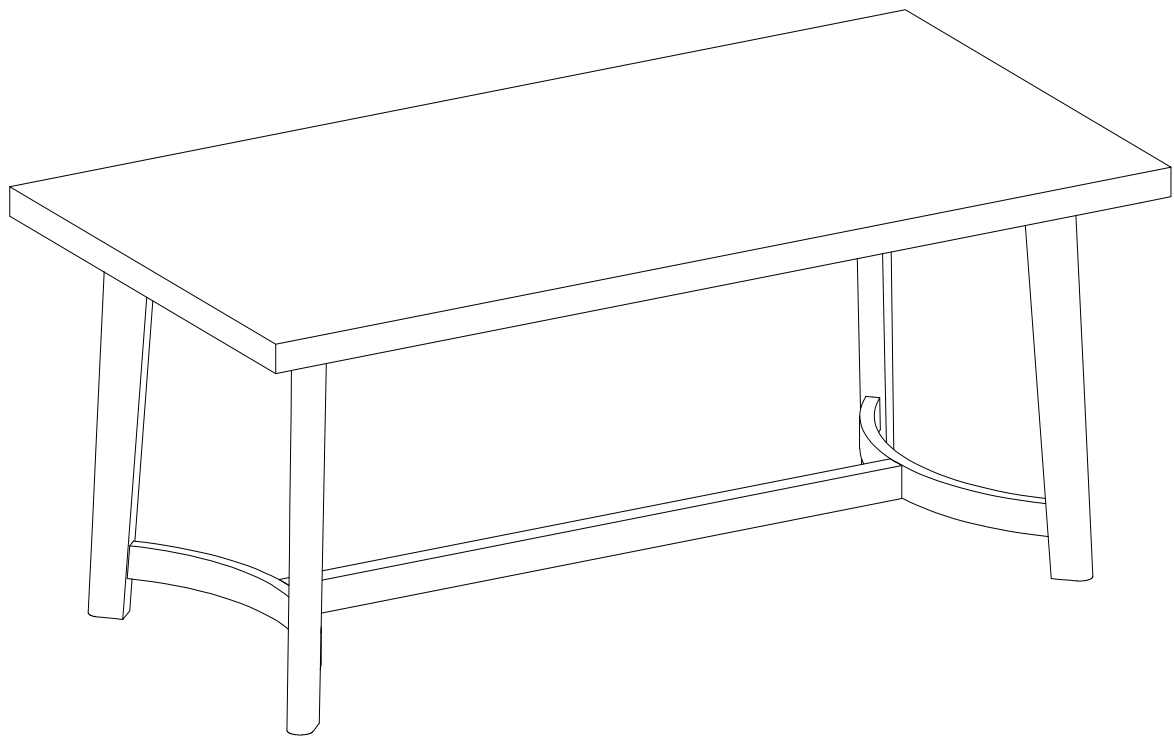


WALKER EDISON
TM

Nash Modern Farmhouse Rustic Rectangle Dining Table

SKU# WENAS12703



For Residential Use Only

Please visit our website for the most current instructions, assembly tips, report damage, or request parts. www.walkeredison.com



Time to get started

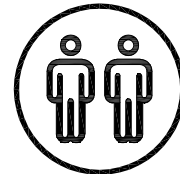
Set up a clean and soft workplace to get started and avoid damage during the assembly. It also helps to double-check that you've got all the pieces and parts before diving in to assembly.

Estimated time for assembly



People recommended for assembly

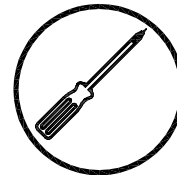
Make it a team effort! Grab a friend for quicker, easier assembly.



2 People Build

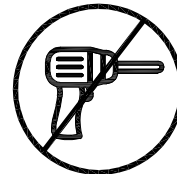
Tools Needed

Grab a Phillips head screwdriver to conquer this assembly



Use power tools with caution

You can cause cracking or damage to the material and easily strip the hardware. If you choose to use a power tool, your product will no longer be covered under Walker Edison's warranty.

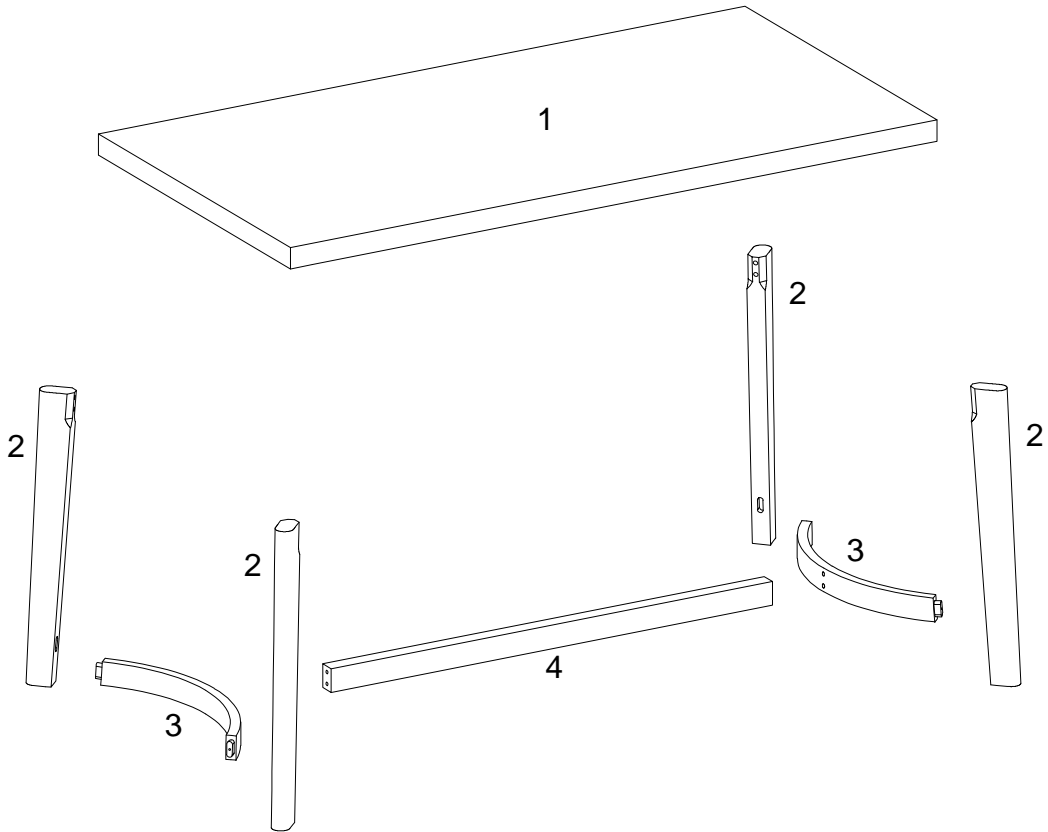


Nash

Scan to get assembly tips and help!




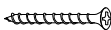




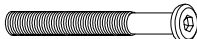



Parts List



Part Number	Description	Quantity
1	Tabletop	1
2	Legs	4
3	Curved Trestle Piece	2
4	Trestle Stretcher	1



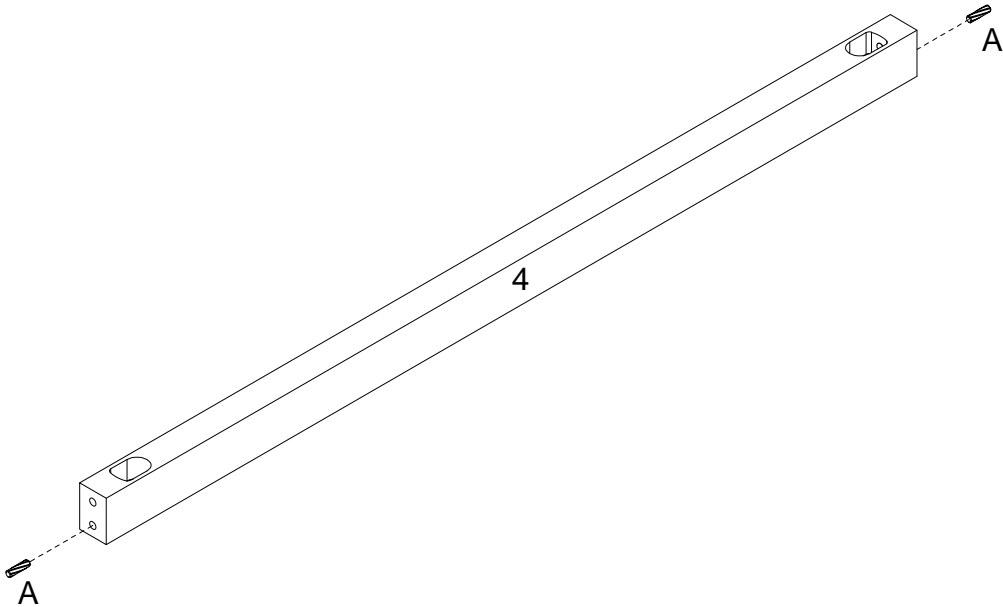
Hardware List

Part	Size	Name	Quantity
A	 10x40mm	Wooden dowel	2
B	 4x45mm	Screw	4
C	 5/16"x80mm	Bolt	2
D	 5/16"x28x14.5mm	Half - moon washer	2
E	 5/16"x12mm	Nut	2
F	 M12	Wrench	1
G	 5/16"x70mm	Bolt	8
H	 5/16"x12mm	Lock washer	8
J	 5/16"x22mm	Washer	8
K	 M5	Hex key	1

*The hardware quantities listed above are required for proper assembly.
Extra hardware pieces may be included.*

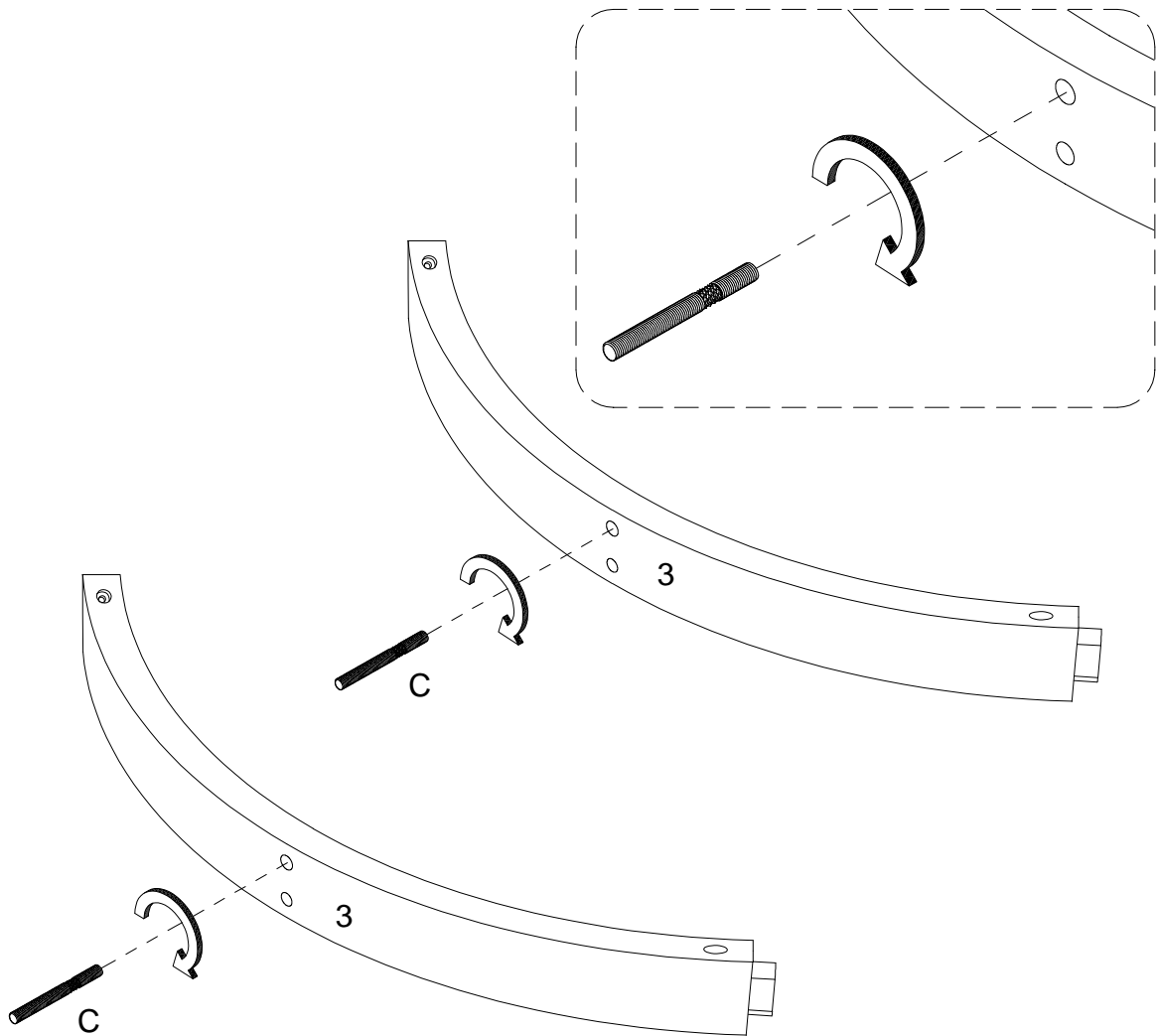
Step 1

Let's get started! Insert wooden dowels (A) into the Trestle Stretcher (4).



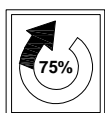
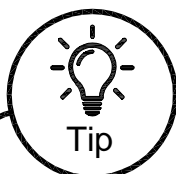
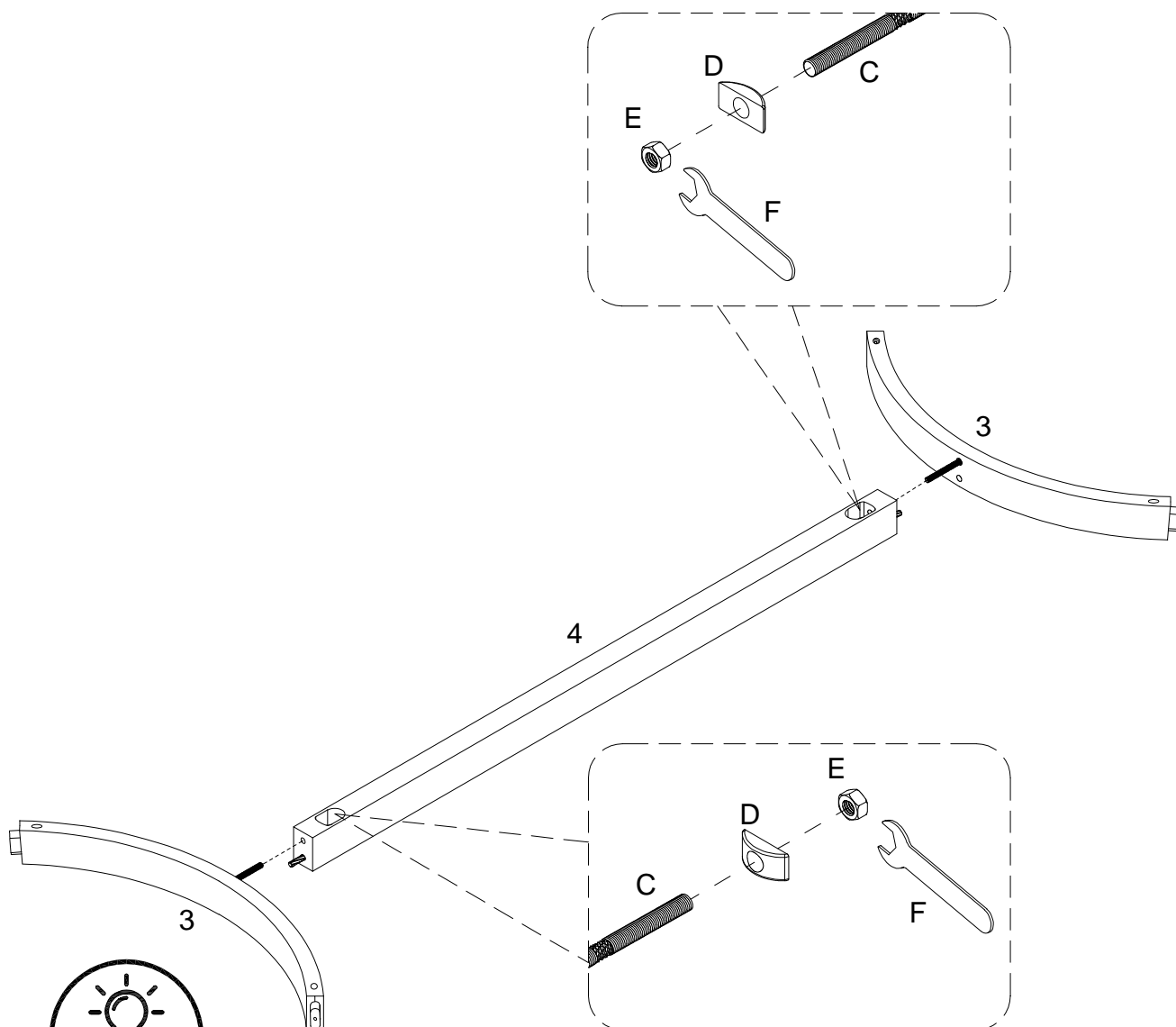
Step 2

Hand tighten the bolts (C) into the Curved Trestle Pieces (3).



Step 3

Connect the Curved Trestle Pieces (3) to the Trestle Stretcher (4) using the dowels and bolts. Secure everything with the Half-moon Washers (D) and Nuts (E). Now, grab the wrench (F) and tighten them up!



Do not tighten bolts / screws completely until all bolts / screws are lined up and inserted into holes. Tighten only to 75% for now.

Step 4

Attach the Legs (2) to the Curved Trestle Pieces (3).



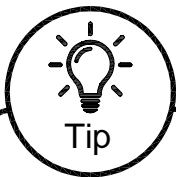
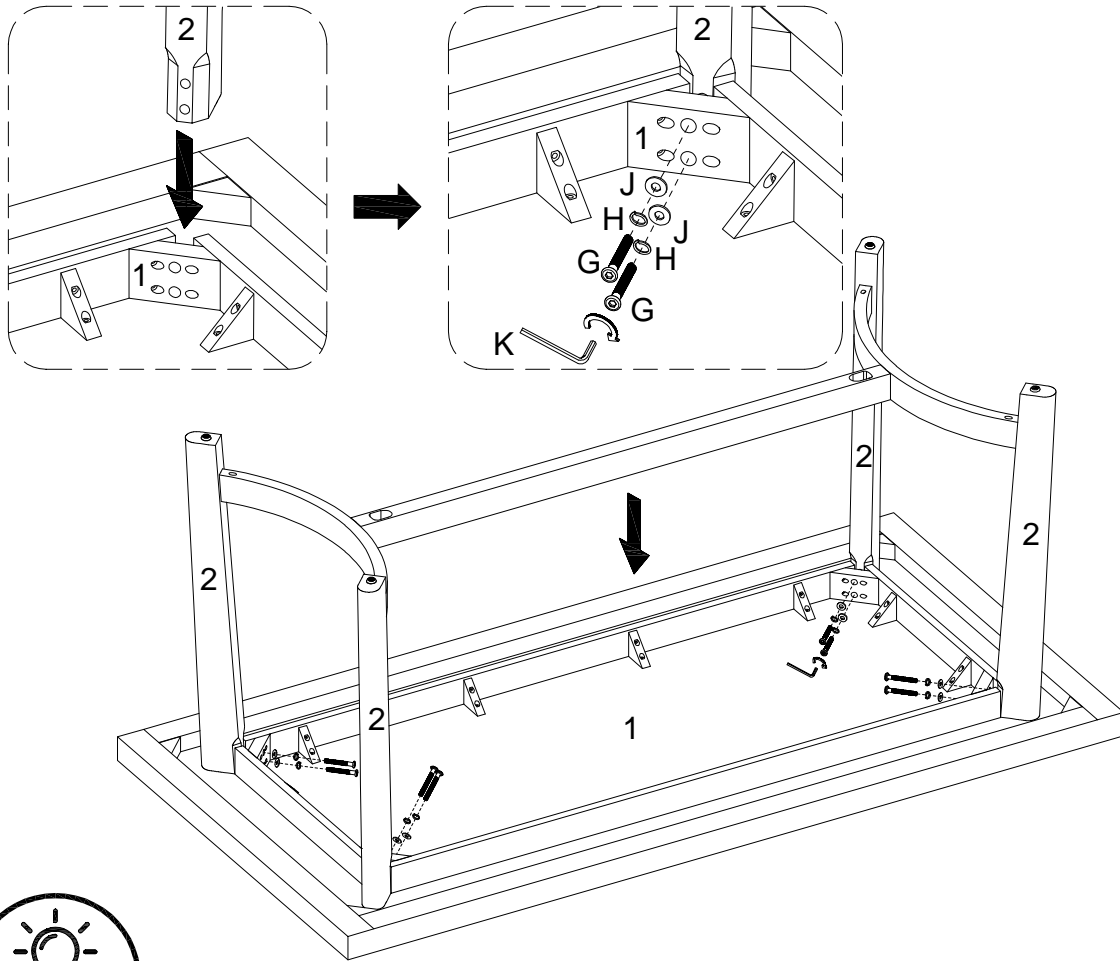
Step 5

Do the same thing for the other two Legs (2).



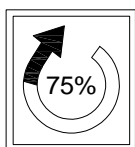
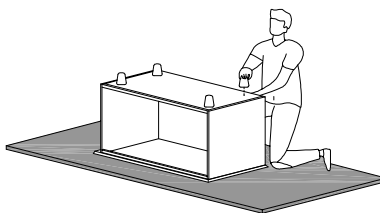
Step 6

Flip the Tabletop (1) face down, line up the Legs (2) in the four corners, and secure them with the Bolt (G), Lock Washer (H), and Washer (J). Everything's coming together now!



Tip

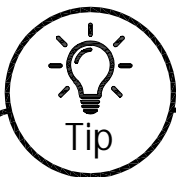
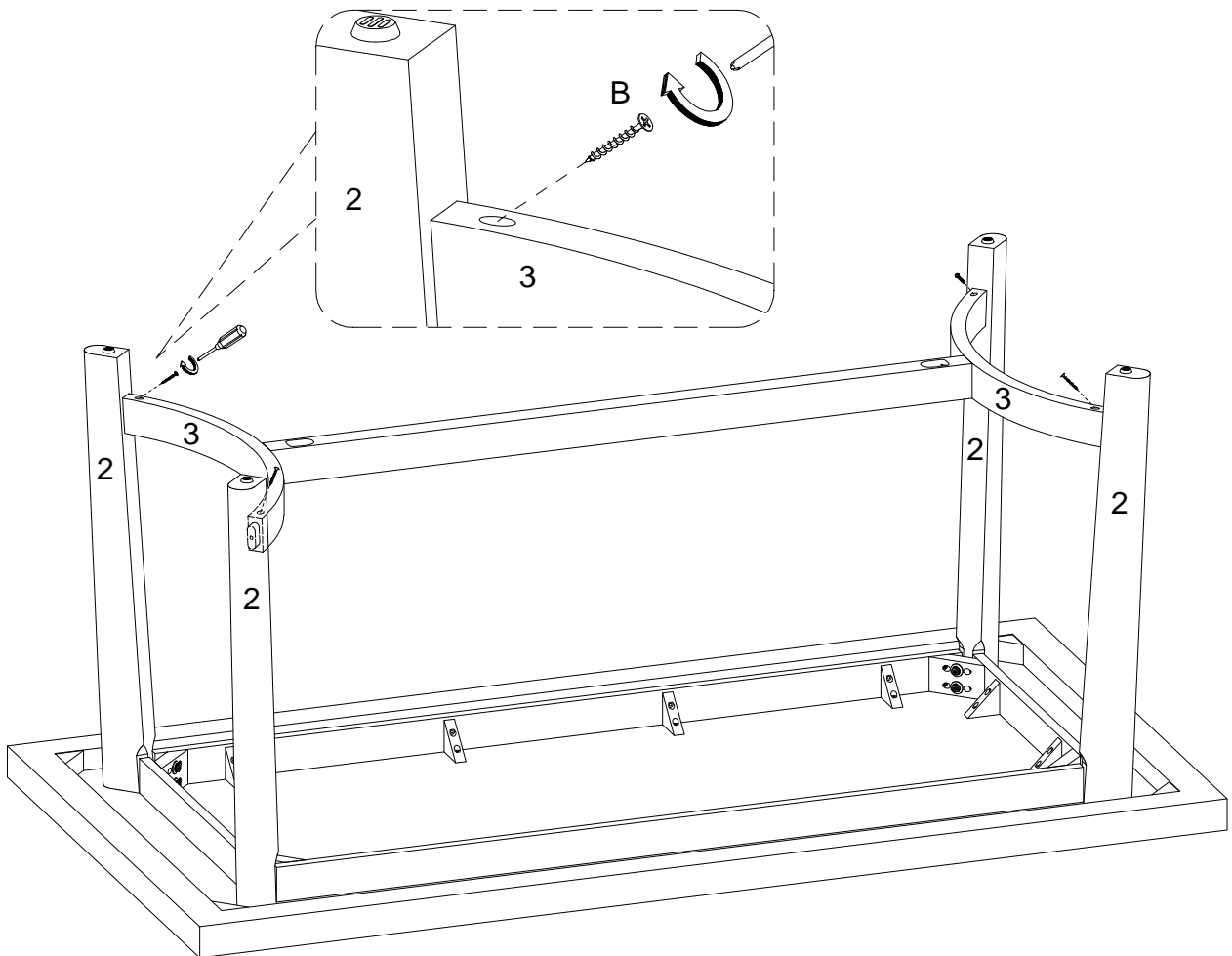
To keep your product looking its best and scratch-free, try assembling it on a soft surface like carpet or a blanket. This helps prevent any accidental scratches and keeps your furniture in top shape!



Do not tighten bolts / screws completely until all bolts / screws are lined up and inserted into holes. Tighten only to 75% for now.

Step 7

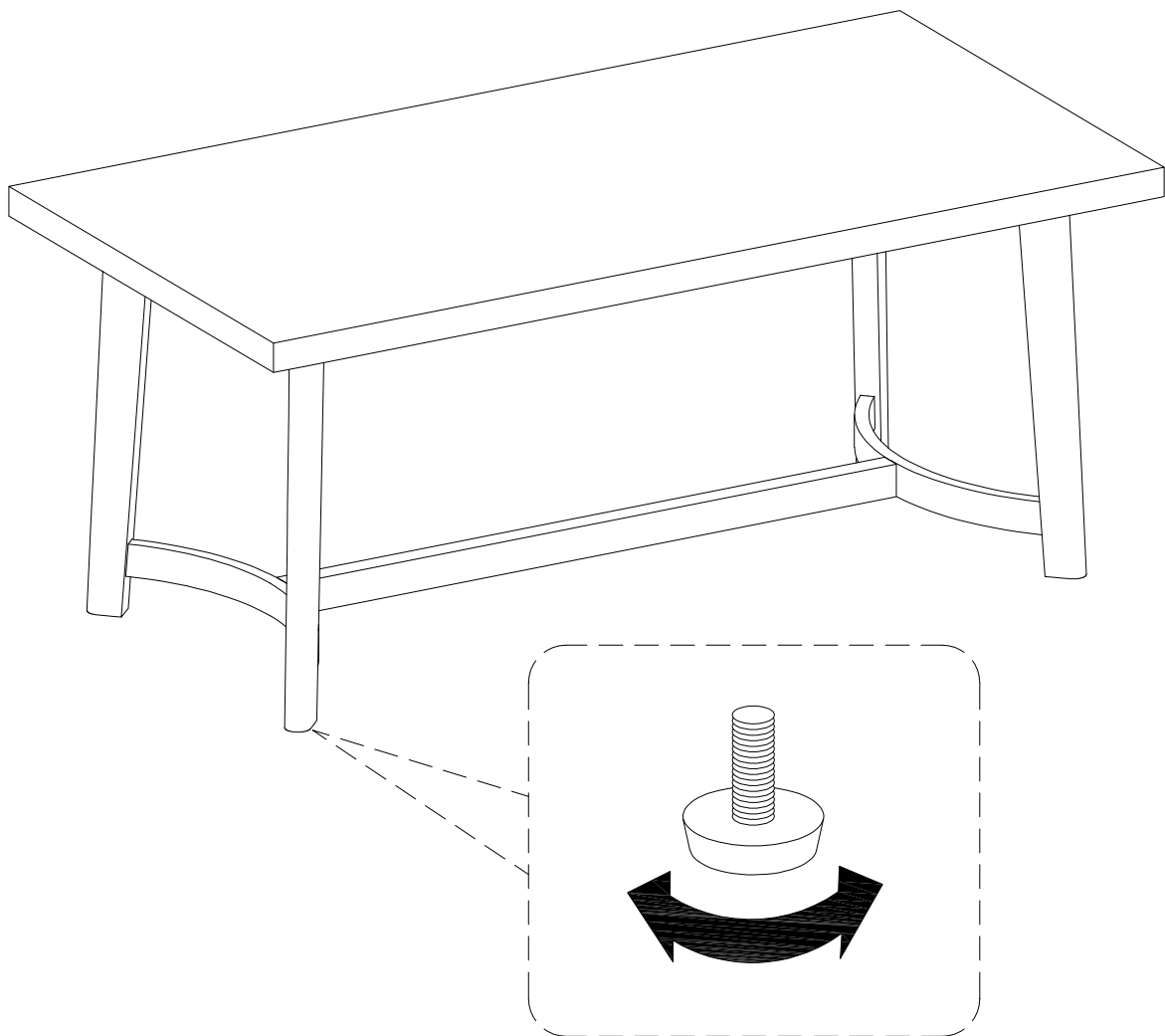
Attach the Legs (2) to the Curved Trestle Pieces (3) using screws (B).



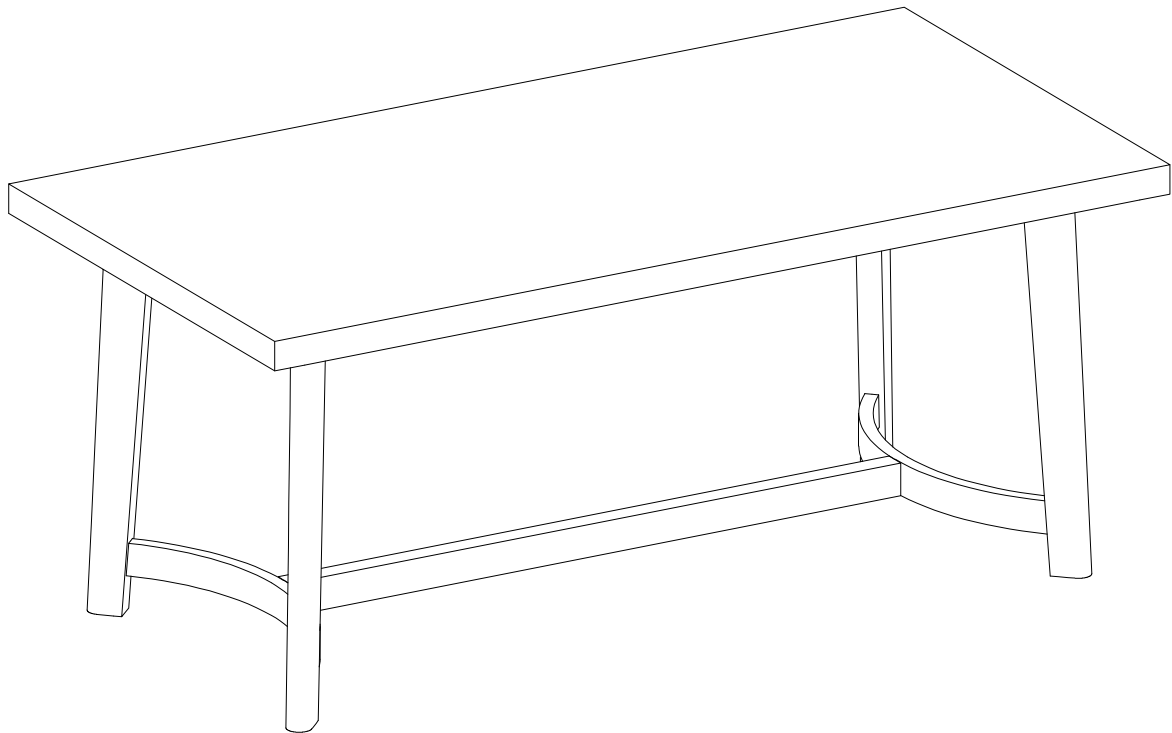
Carefully flip the table over on a flat surface and make sure the legs are touching the ground evenly before tightening everything to 100%

Step 8

Stand your table right side up and admire your handiwork. If it wobbles a bit, adjust the levelers at the bottom of the legs to make it steady and perfect.



Final Assembly



Congratulations on your new piece of furniture!

We would love to hear about it and see it.
Please leave us a review or post a picture with
#mywalkerredisonhome

Assembling furniture can be tricky sometimes.

Our customer service team, located in Utah, is here for product information, help assembling a product, or for any other customer support issue

Call us at **801-433-3008**

Email us at service@walkeredison.com

Visit our Customer Service website at
walkeredison.com/pages/customer-service

We are available to help Monday -Thursday 8am-5pm, Friday
8am-3pm MST

For details on Assembly Videos, Assembly Instructions,
Replacement Parts, and Customer service,
SCAN HERE

