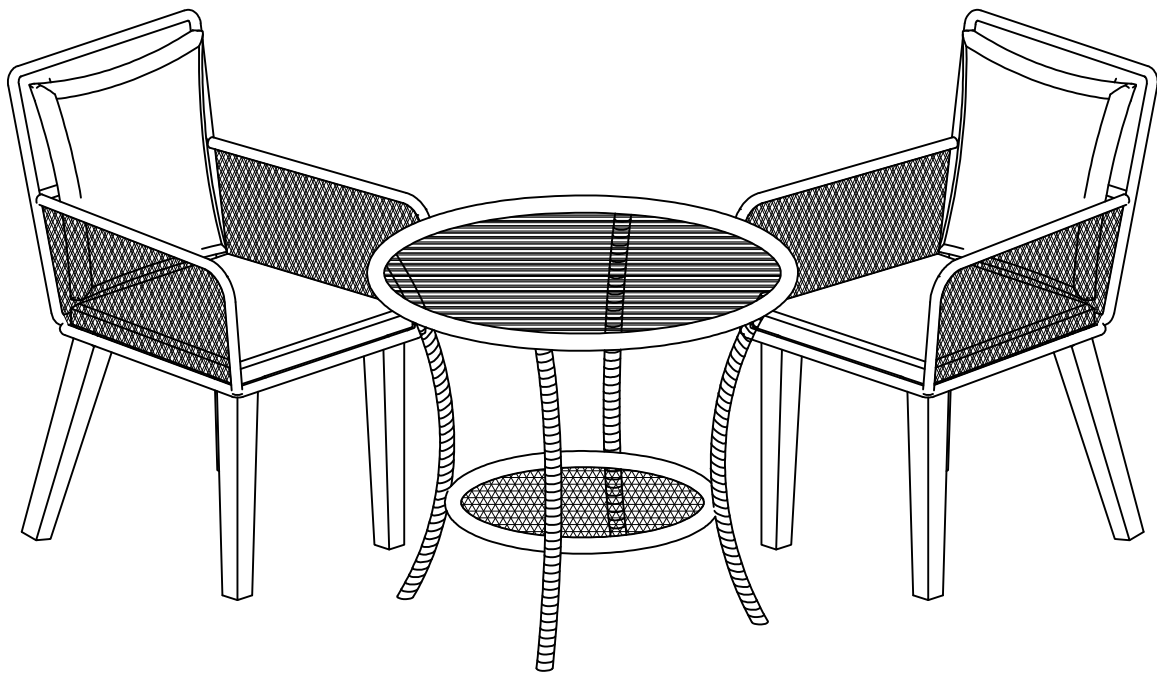


ASSEMBLY INSTRUCTION

PT - OF0008

3pcs Coffee Table & Chair Set



USA Teamson Design Co.

1-800-935-3959
Mon - Fri 9:00 - 16:30 EST

support@teamson.com

EU Teamson UK. Ltd

+44 (0)1952-916050
Mon - Thu 09:00 - 17:00 GMT
Friday 09:00 - 16:00

support@teamson.com







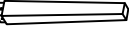



ASSEMBLY INSTRUCTIONS

**ATTENTION: THIS PRODUCT IS NOT FOR COMMERCIAL USE
INTENDED FOR RESIDENTIAL USE ONLY.**

PT - OF0008

PARTS LIST

PART NO.	MATERIAL CODE	PART	QTY
1	74-0002-01	TABLE TOP 	1
2	74-0002-02	TABLE LEG 	4
3	74-0002-03	SHELF 	1
4	74-0002-04	SEAT ASSEMBLY 	1

PART NO.	MATERIAL CODE	PART	QTY
5	74-0002-05	CHAIR LEG 	4
6	74-0002-06	BOLT M6*25 	20
7	74-0002-07	WASHER d6.5*D20*2 	20
8	74-0002-08	HE KEY WRENCH 4MM 	1

Attention:

Make sure that each bolt needed for all steps matches the corresponding figure to ensure proper assembly.

The Coffee Table

Step 1:

Details should be put on a soft surface to avoid being scratched.

Based on (2) and (3) and the screw (6), screw on (2) and (1) with the temporary loose structure, then screw all on their places and tighten many times till they are complete.

Step 2:

Up side down the table and check for everything.

FULL ASSEMBLY OF THE TABLE

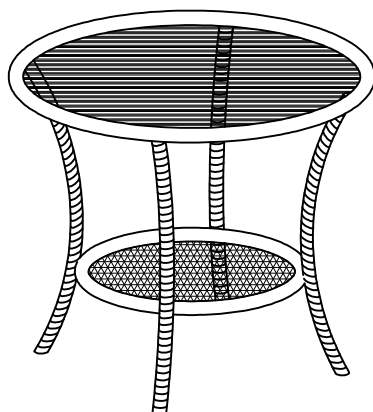
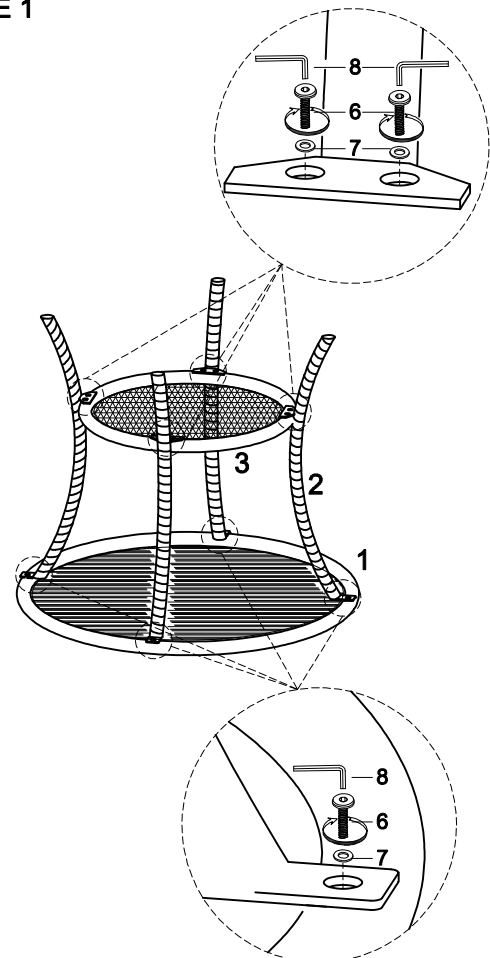
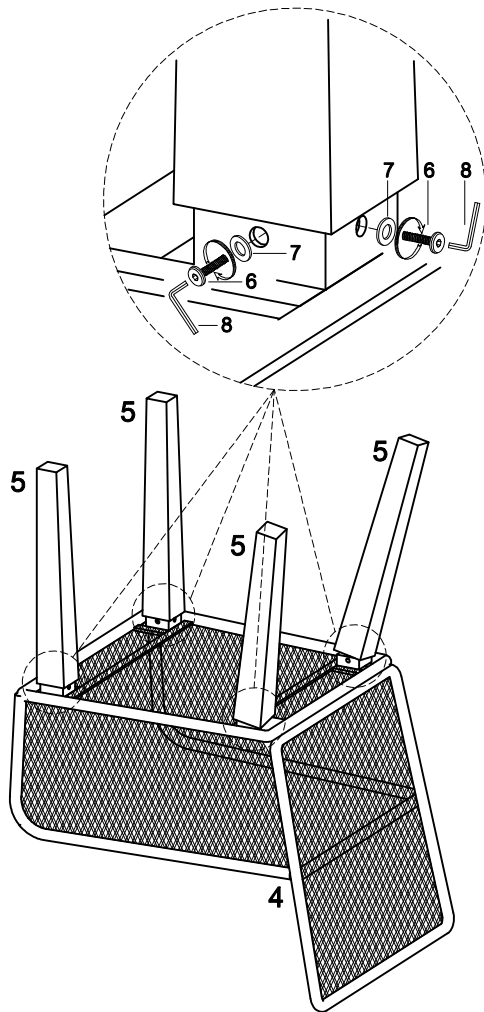


FIGURE 1

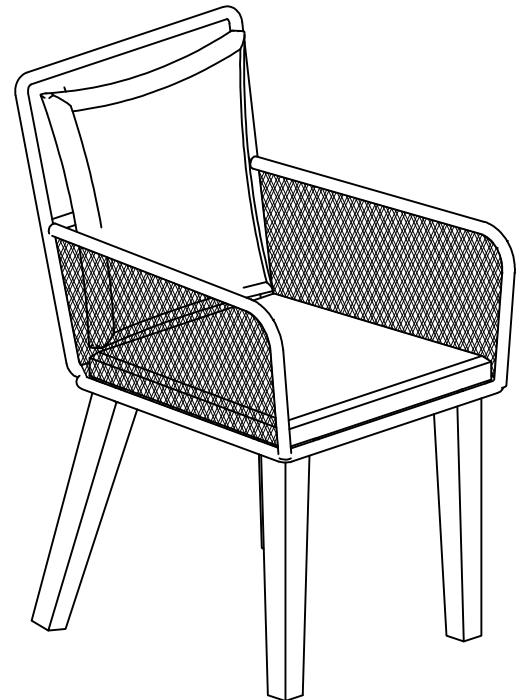


⚠ Keep children away during assembly. This item contains small parts that can be swallowed by children. Retain these assembly instructions for future reference.

FIGURE 2



FULL ASSEMBLY OF THE CHAIR



The Chair

Step 1:

Details should be put on a soft surface to avoid being scratched.

Put (5) on the right place of (4) (see figure 2.), screw (6), (7) to keep (5) stuck to (4) with the temporary loose structure. then tighten, screw all (6) and (7) on the chair and tighten many times till they are complete.

Step 2:

Up side down the chair and check for everything, then put the cushion on the right place

Cleaning and Maintenance

- Wash frame parts with mild soap and water, rinse thoroughly, and dry completely. Do not use bleach, acid, or other solvents on the frame parts.
- We recommend the use of furniture covers when not in use.
- Inspect and tighten all bolts and fasteners on a regular basis to ensure the proper performance and safety of your table and chair.
- In order to prolong the life and beauty of your table and chair, we recommend that it be stored in a dry and protected area during off season periods.