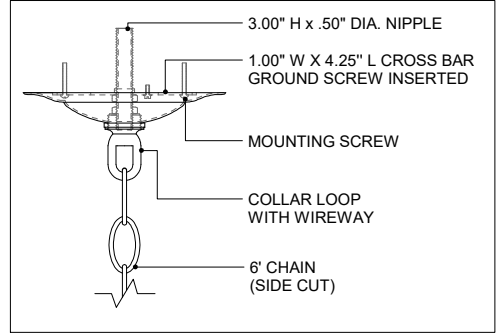
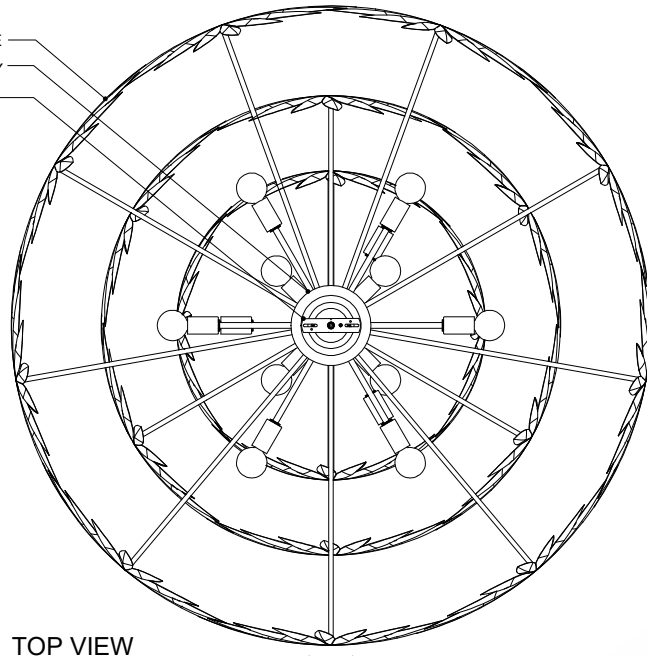
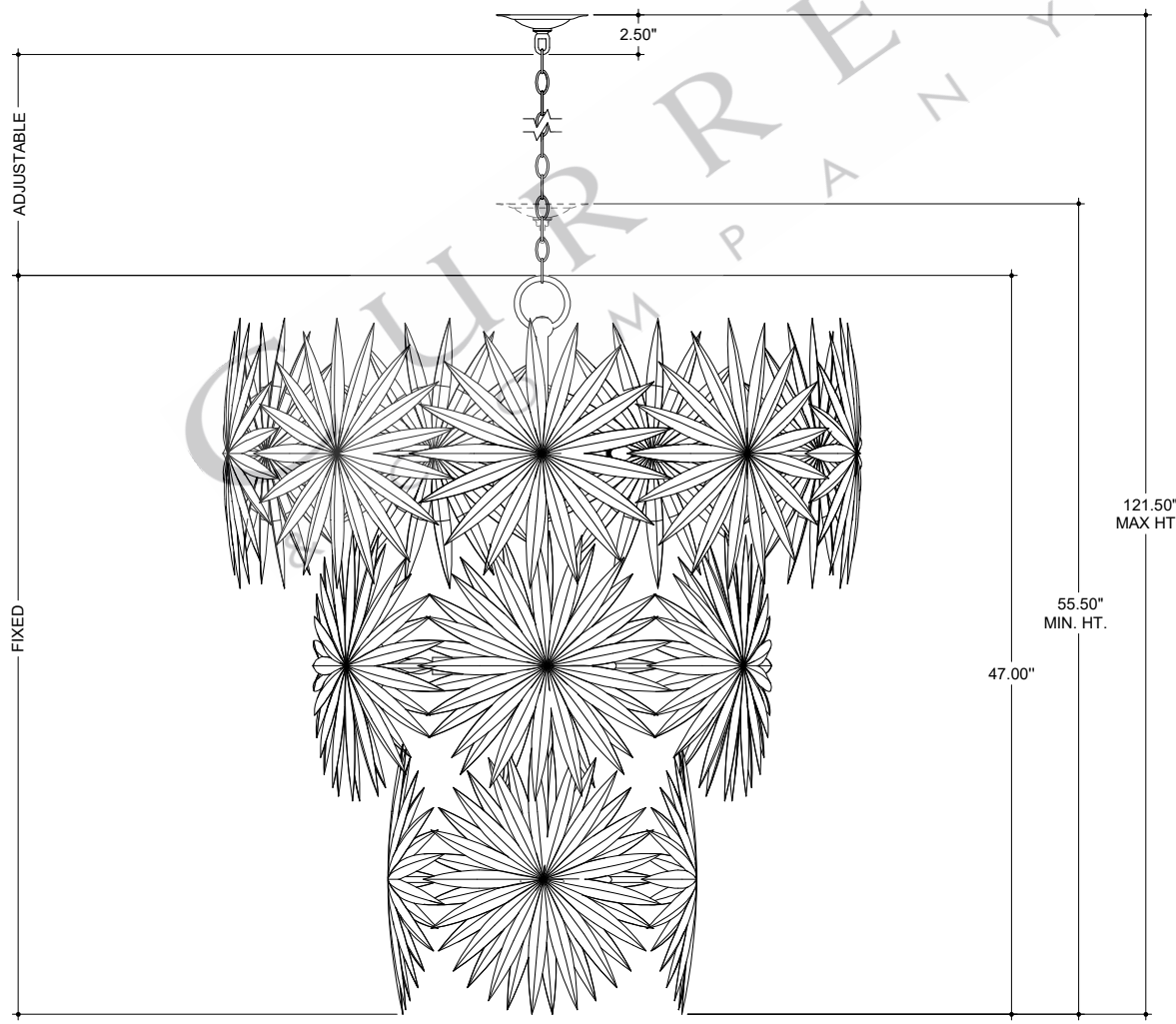


43.50" DIA. FRAME
 6.00" DIA. CANOPY
 1.00" W X 4.25" L
 CROSS BAR



3.00" H x .50" DIA. NIPPLE
 1.00" W X 4.25" L CROSS BAR
 GROUND SCREW INSERTED
 MOUNTING SCREW
 COLLAR LOOP
 WITH WIREWAY
 6' CHAIN
 (SIDE CUT)



ADJUSTABLE
 2.50"
 121.50" MAX HT.
 55.50" MIN. HT.
 47.00"
 FIXED

9000-1114

ALL WORK © 2023 CURREY & COMPANY