

ONE COLLECT. DRESSER MIRROR ASSEMBLY INSTRUCTIONS



BOX 1 - DRESSER MIRROR

PART NO.	IMAGE	DESCRIPTION	QUANTITY
A		MIRROR	1
B		MIRROR SUPPORT	2

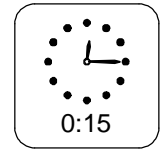
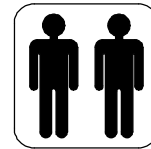
BOX 2 - 6 DRAWER DRESSER

*SOLD SEPARATELY

PART NO.	IMAGE	DESCRIPTION	QUANTITY
C		DRESSER	1

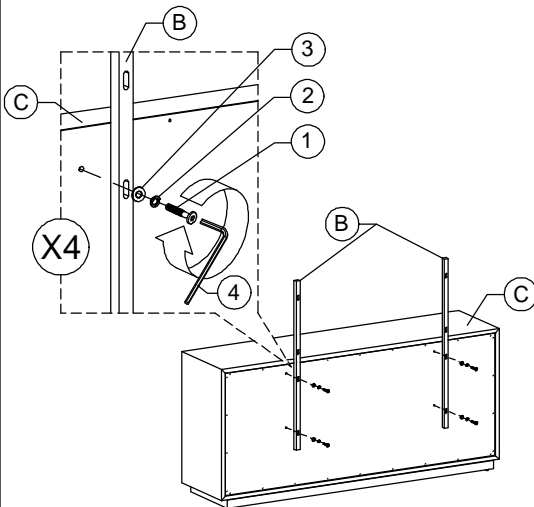
MIRROR HARDWARE KIT PACKED IN BOX 1

1		ALLEN BOLT (6X40mm)	8
2		SPRING WASHER (M6)	8
3		FLAT WASHER (M6)	8
4		ALLEN KEY	1



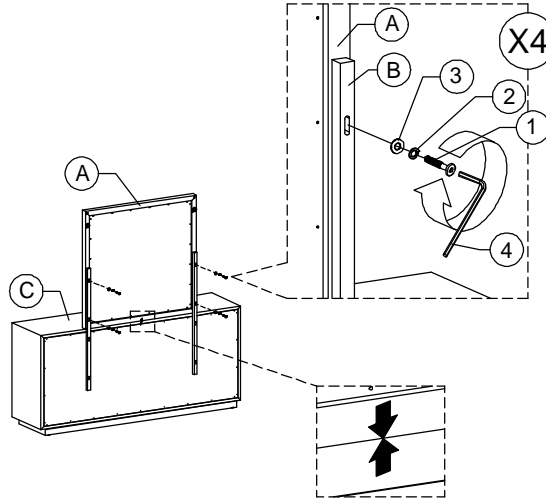
OPTION 1 : DRESSER MOUNTING

STEP 1 :



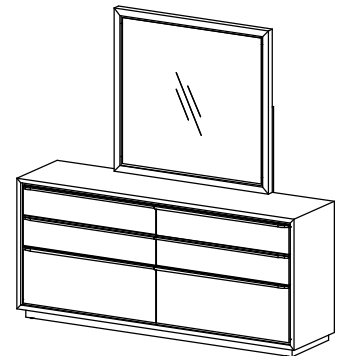
*DO NOT FULLY TIGHTEN BOLTS UNTIL STEP 2.

STEP 2 :



*ALL BOLTS CAN NOW BE FULLY TIGHTENED.

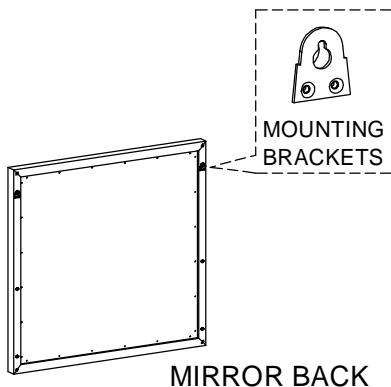
STEP 3 :



ASSEMBLY COMPLETE

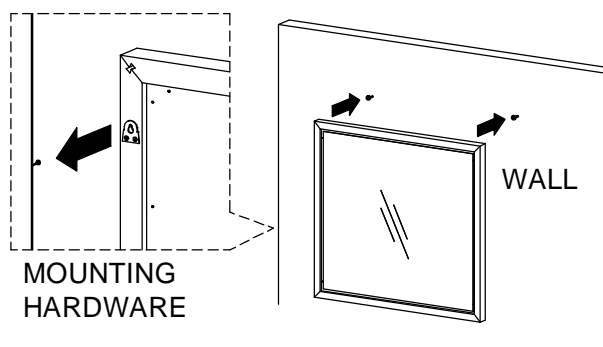
OPTION 2 : WALL MOUNTING

STEP 1 :



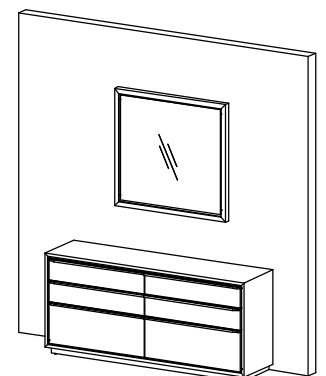
MIRROR BACK

STEP 2 :



*WALL MOUNTING HARDWARE NOT INCLUDED.

STEP 3 :



ASSEMBLY COMPLETE