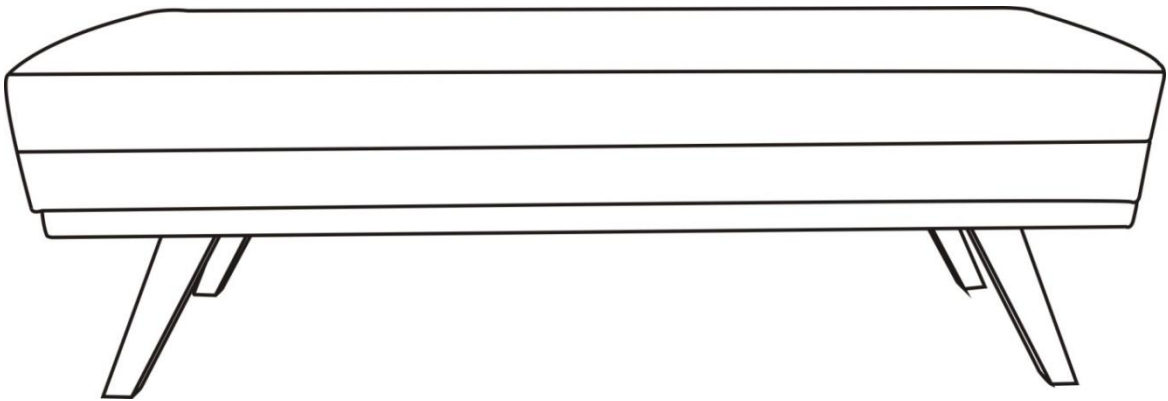




OSCAR / BRYANNA / LEANDRO

EXTRA WIDE OTTOMAN BENCH

MODEL # AXCOT-274-BRT





Questions, problems, assembly help, missing parts?

No need to return the product, we will gladly help and ship your replacement parts free of charge

Please call Customer Service at 1-866-518-0120 ext. 262

Monday to Friday between 9 am – 4 pm EST

or go to

www.simpli-home.com/parts request

In order to assist you in a timely manner, please have the following information ready:

Model # _____ Part Number or Letter _____

Purchased at _____ Date of Purchase _____

If you wish to return the product, please contact the retailer where the product was purchased.

IMPORTANT: Please read this manual carefully before beginning assembly of this product. Keep this manual for future reference.

SAFETY INFORMATION

Identify all the parts and hardware. Do not discard of the packaging until you have checked that you have all of the parts and hardware required. Hardware package may have spare parts.

WARNING: This item contains small parts which can be swallowed by children and pets. Keep children and pets away during assembly. To avoid danger of suffocation, always keep plastic bags away from children and pets.

We recommend that you assemble this unit on a carpeted floor to avoid scratches. We do not recommend the use of power tools for assembly as this could damage the unit. Only use manual tools.

Requires 2 people for ease of assembly.

CARE and MAINTENANCE

Wipe regularly with clean water and a damp, clean, soft white cloth.

General cleaning can be done as needed with a mild detergent and water solution. Always rinse with clean water and dry.

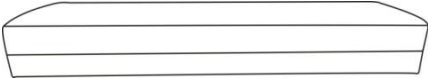
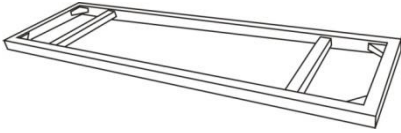

For heavy soiling, dampen a soft white cloth or soft bristle brush. Use care as scrubbing can damage the surface.

More difficult stains can be treated, but this should be occasional, not daily, cleaning. ANY cleaning solution used must be removed with clean water and a clean white cloth. Cleaning residue left on the material can cause it to dry out and crack, or affect the color.

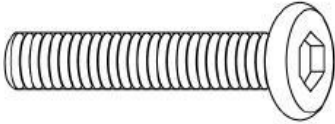


DO NOT use any cleaners with corrosive ingredients (lye, acids or ammonia).

PRE-ASSEMBLY INFORMATION

PARTS DESCRIPTION

A	B	C
 <p data-bbox="229 832 329 923">SEAT QTY 1</p>	 <p data-bbox="658 832 782 923">APRON QTY 1</p>	 <p data-bbox="1105 832 1205 923">LEG QTY 4</p>

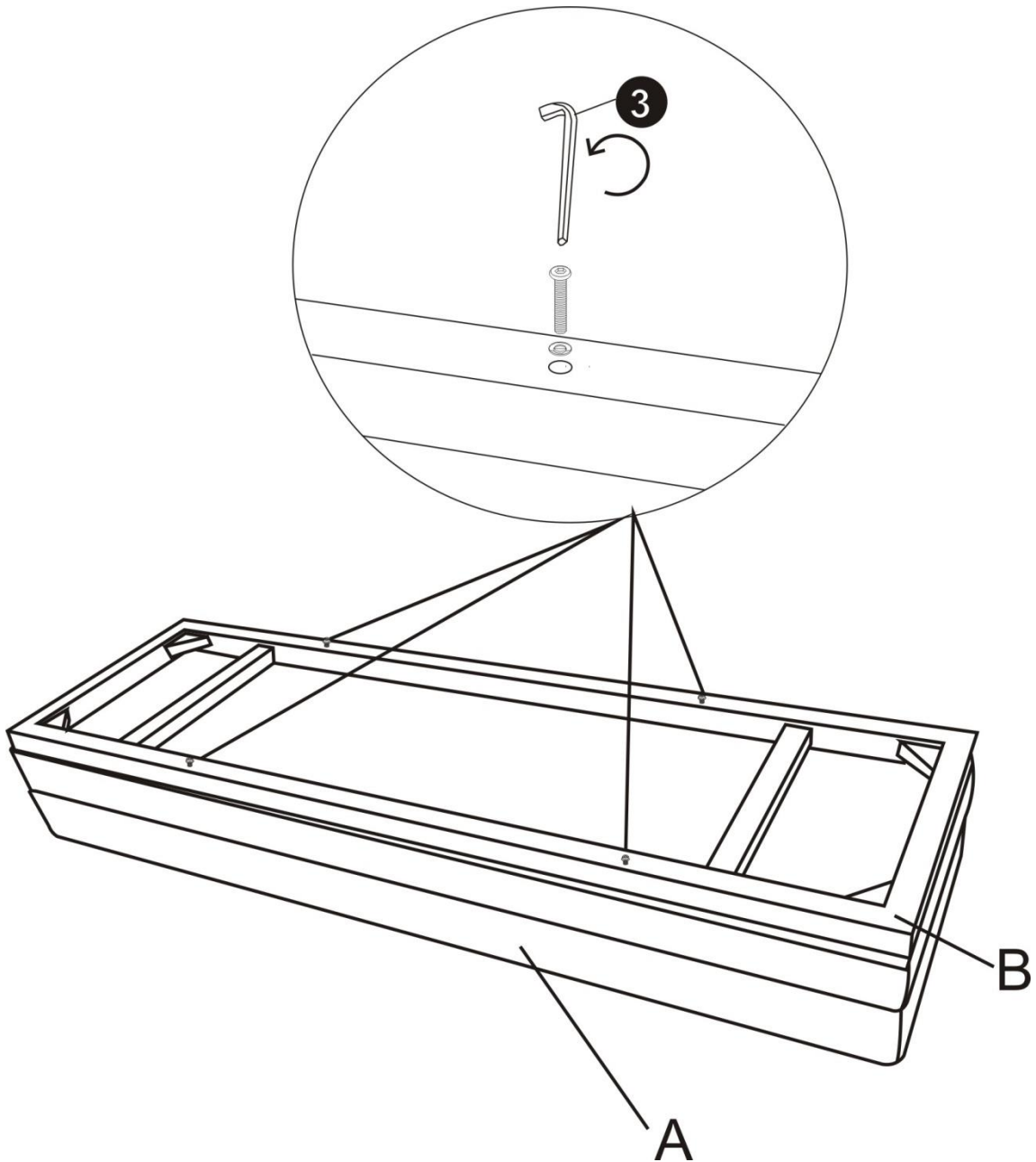
HARDWARE DESCRIPTION

1	2	3
 <p data-bbox="125 1522 444 1663">ALLEN KEY SCREW M8*55MM QTY 12 (4 pieces are assembled on Seat)</p>	 <p data-bbox="651 1522 805 1663">WASHER Φ22 QTY 12 (4 pieces are assembled on Seat)</p>	 <p data-bbox="1076 1528 1262 1669">ALLEN KEY 5MM QTY 1</p>

NEED HELP? For help with assembly or if you are missing a part,
Please call customer service at 1-866-518-0120 ext. 262 (9 am to 4 pm EST)

ASSEMBLY

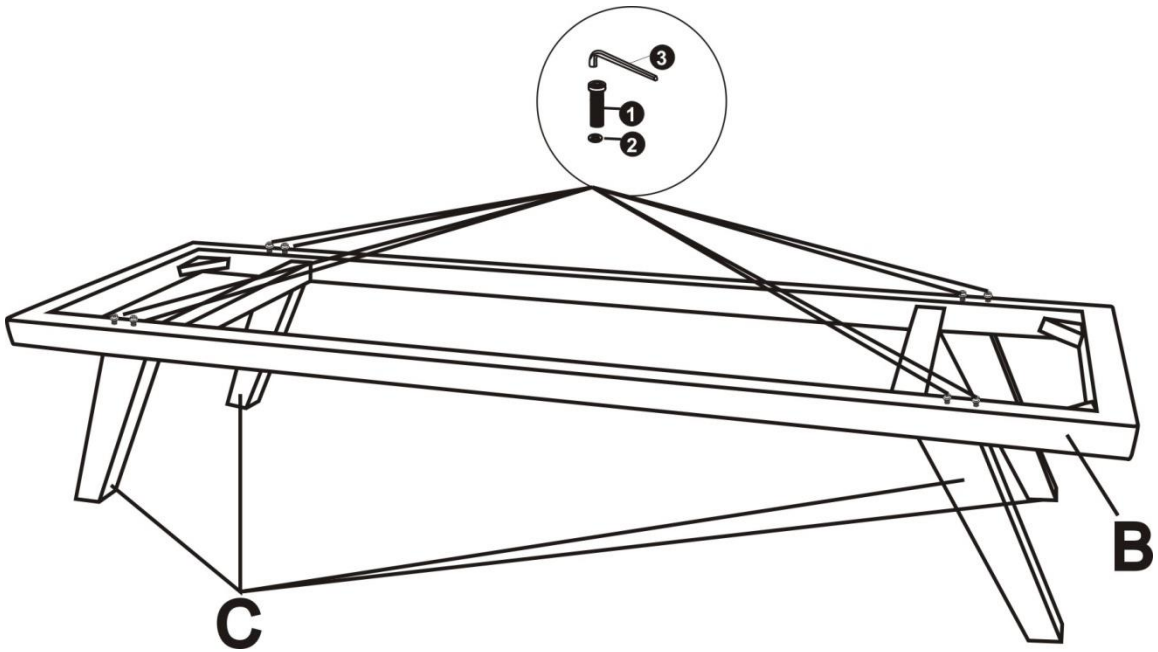
STEP 1



Remove pre-assembled Allen Key Screws (1) and Washers (2) from Apron (B).

ASSEMBLY

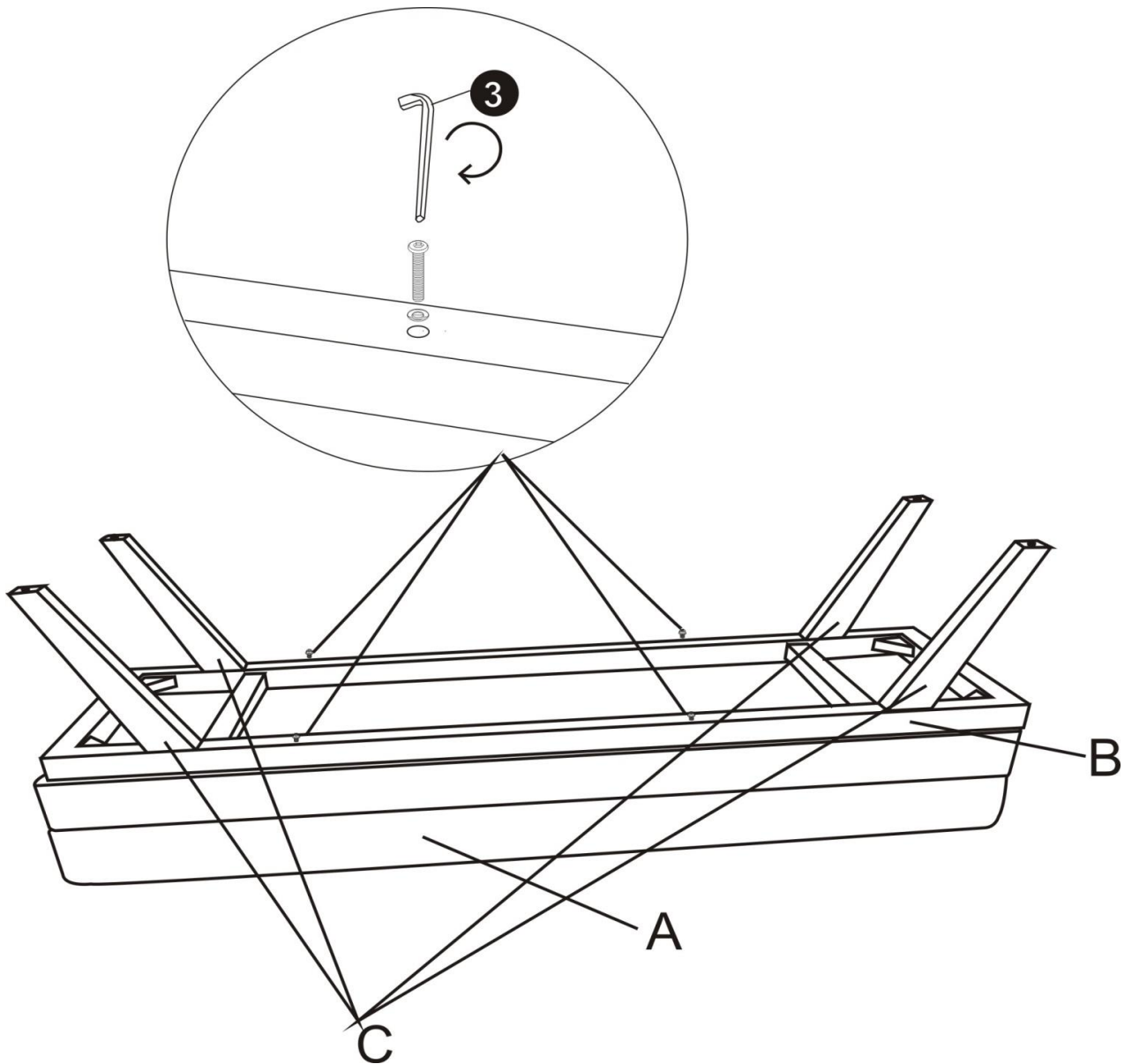
STEP 2



Attach Legs (C) to Apron (B) with Allen Key Screws (1) and Washers (2).
Use Allen Key (3) to fully tighten all Screws.

ASSEMBLY

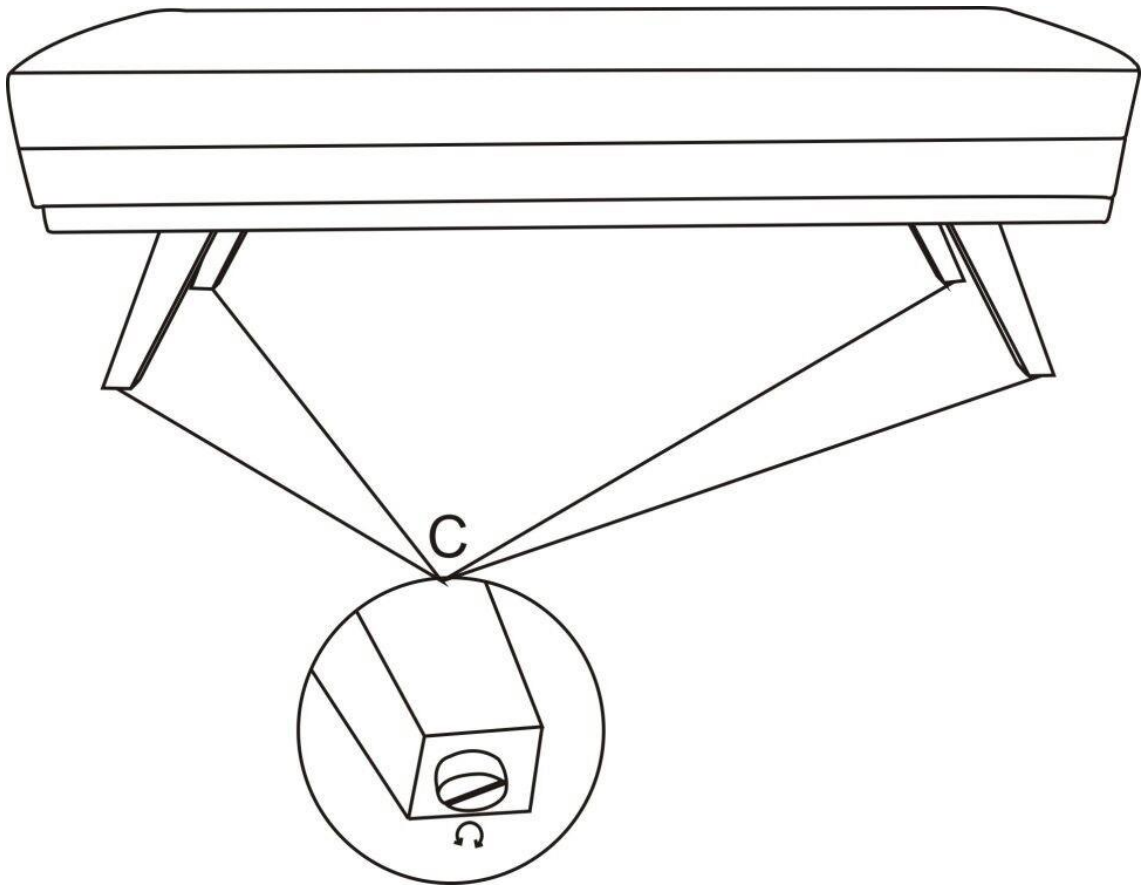
STEP 3



Place Seat (A) on its back on a flat smooth surface.
Secure the Apron (B) to Seat (A) with Allen Key Screws (1) and Washers (2).
Use Allen Key (3) to fully tighten all Screws.

ASSEMBLY

STEP 4



Place Ottoman Bench on a flat level surface to ensure it is level. If it is uneven, adjust the leg levelers to ensure they are level.



WARRANTY

Thank you for purchasing a **Simpli Home – Wyndenhall – Brooklyn + Max** product. These products have been made to demanding, high-quality standards and are guaranteed for domestic use against manufacturing faults for a period of 12 months from the date of purchase. This warranty does not affect your statutory rights.

In case of any malfunction of your product (failure, missing parts, etc.) please contact us at our toll free service line at 1-866-518-0120 ext. 262 from 9 am to 4 pm, Monday to Friday, Eastern Standard Time or by email at customerservice@simpli-home.com.

We reserve the right to repair or replace the defective product, at its discretion.

This product is guaranteed for 12 months if used for normal purposes. Any warranty is invalid if the product has been overloaded or subject to neglect, improper use or an attempted repair by other than an authorized agent. Heavy-duty or daily professional/commercial usage are not guaranteed.

Due to continuous product improvement, we reserve the right to change the product specifications without prior notice.