



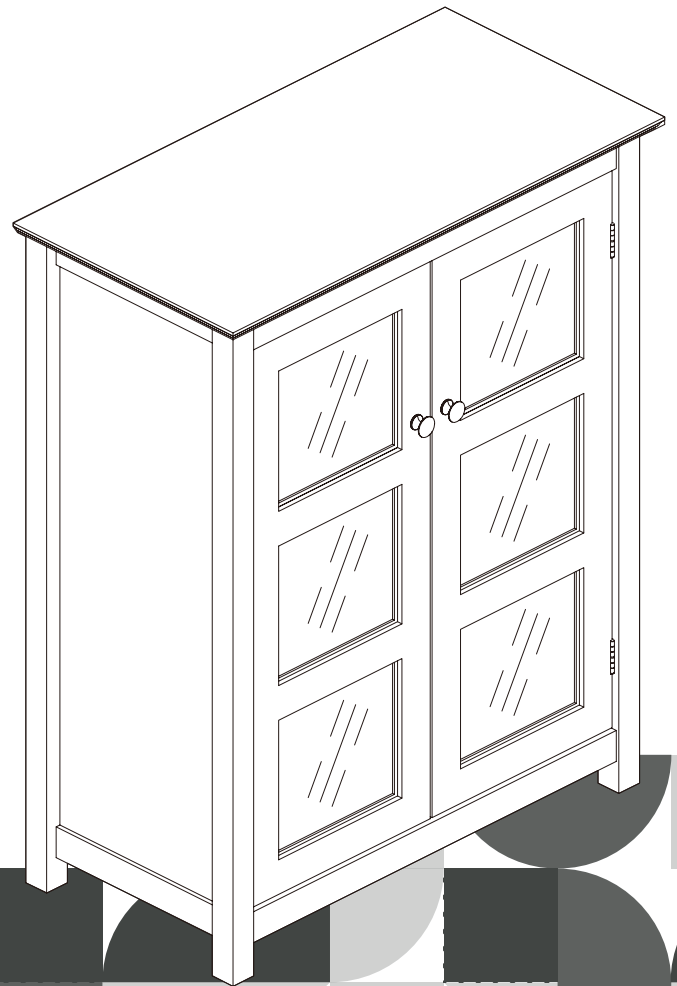
Extended Warranty
Sign Up

E-1

Welcome home!

ELG-580

**TEAMSON HOME
Rain Glass Floor Cabinet
with 2 Glass Doors**





**Questions? Comments? Need help?
Call or email us any time!**

Global Customer Service

USA

+1(800)935-3959

Mon - Fri 10:00am ~ 2:00pm EST
✉ support@teamson.com

EU/UK

+44(0)1952-916-050

Mon - Thu 9:00am ~ 5:00pm GMT
Friday 9:00am ~ 4:00pm GMT
✉ support@teamson.co.uk

ASIA

深圳办公室:

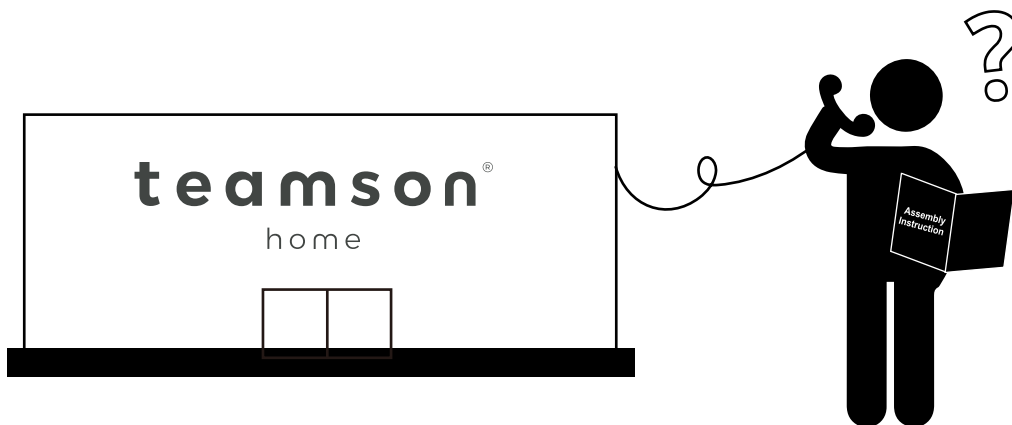
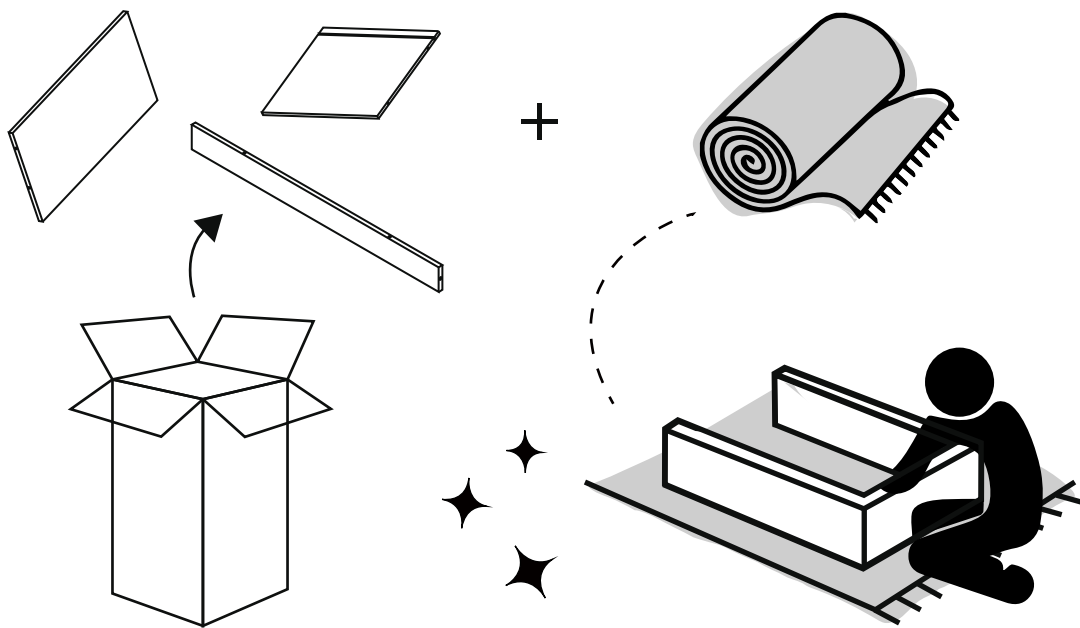
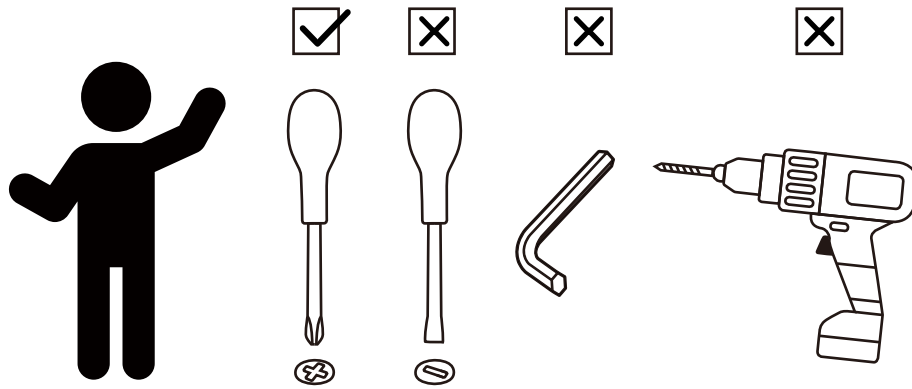
+86(0755)8885-3558.分机号331

Mon - Sat 9:00am ~ 5:00pm GMT+8
✉ sales_ec@teamson.com

台北办公室:

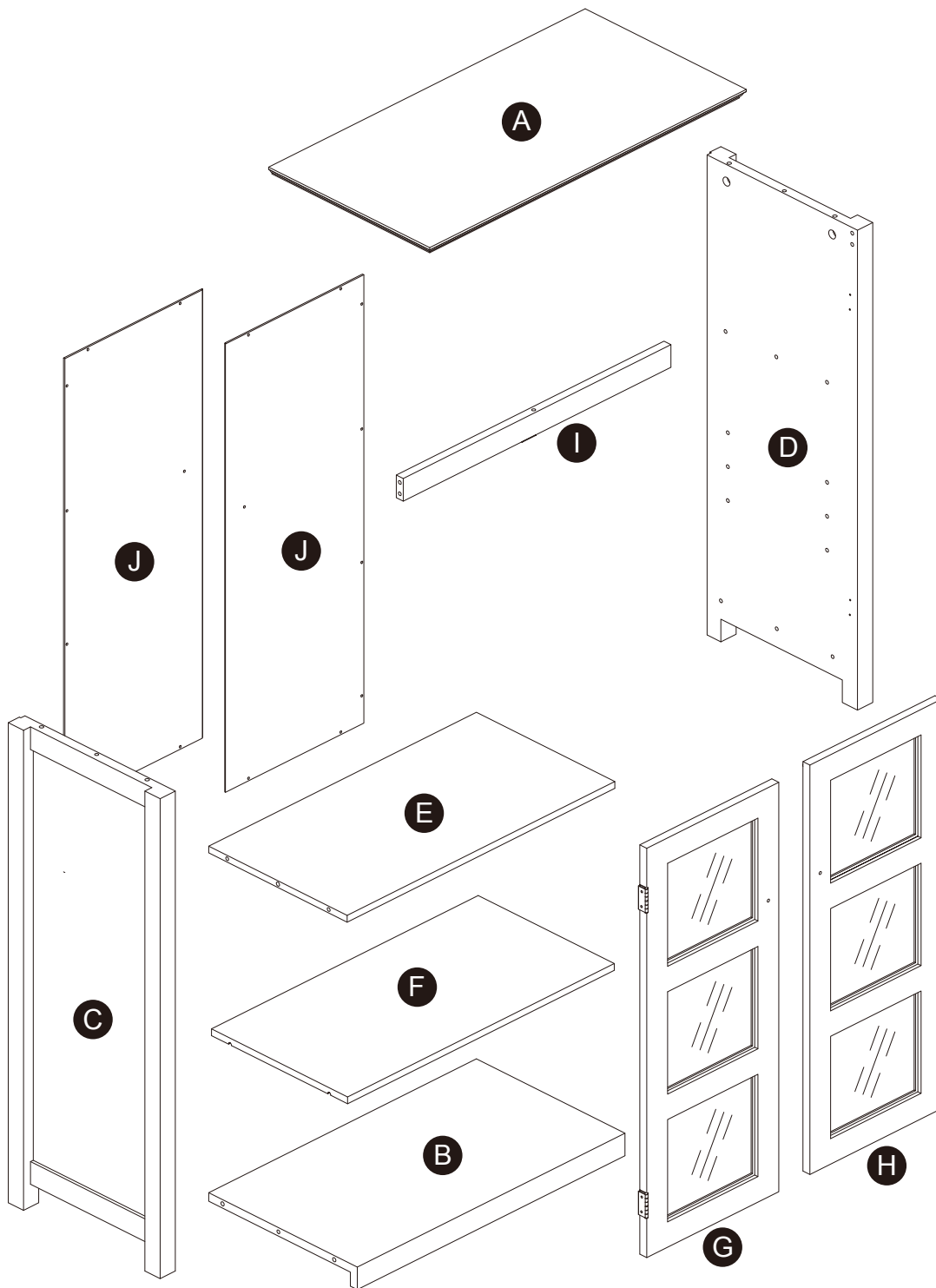
+886(2)2556-6268

Mon - Fri 9:00am ~ 5:00pm GMT+8
✉ sales_ec@teamson.com



** Got questions? Please have your product code (on the first page of this instruction, e.g. TD-12345A) and the order number ready, give us a call or email us through our customer care support! We are always ready to assist you!

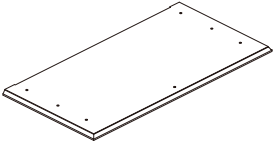
Exploded Drawing



Scan for assembly instructions.

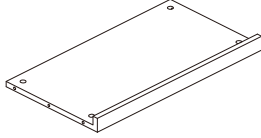
Product Parts

A



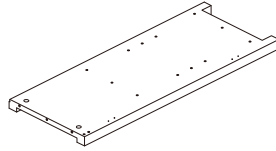
1 PC

B



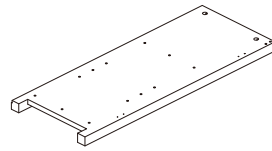
1 PC

C



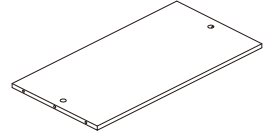
1 PC

D



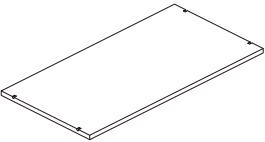
1 PC

E



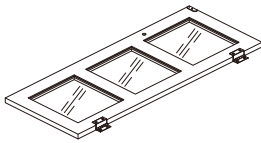
1 PC

F



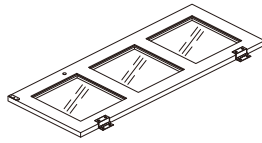
1 PC

G



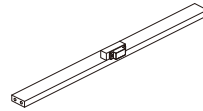
1 PC

H



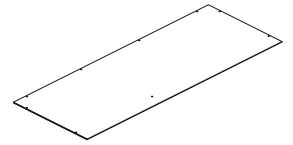
1 PC

I



1 PC

J



2 PCS

! Care Instructions

Dust surface with a dry soft cloth. Do not use window cleaners or cleaning abrasives as they will scratch the surface and could damage the protective coating

! WARNING

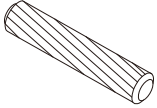
Small parts and sharp edges may be present prior to assembly.



Scan for assembly instructions.

Hardware

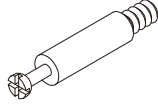
1



Ø6*30mm

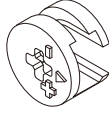
13 PCS

2



10 PCS

3



Ø15*9

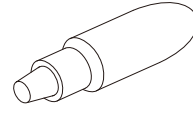
10 PCS

4



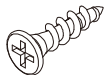
10 PCS

5



1 PC

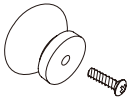
6



Ø3*12mm

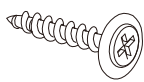
8 PCS

7



2 SET

8



Ø3*12 D=7

18 PCS

9


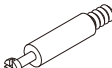



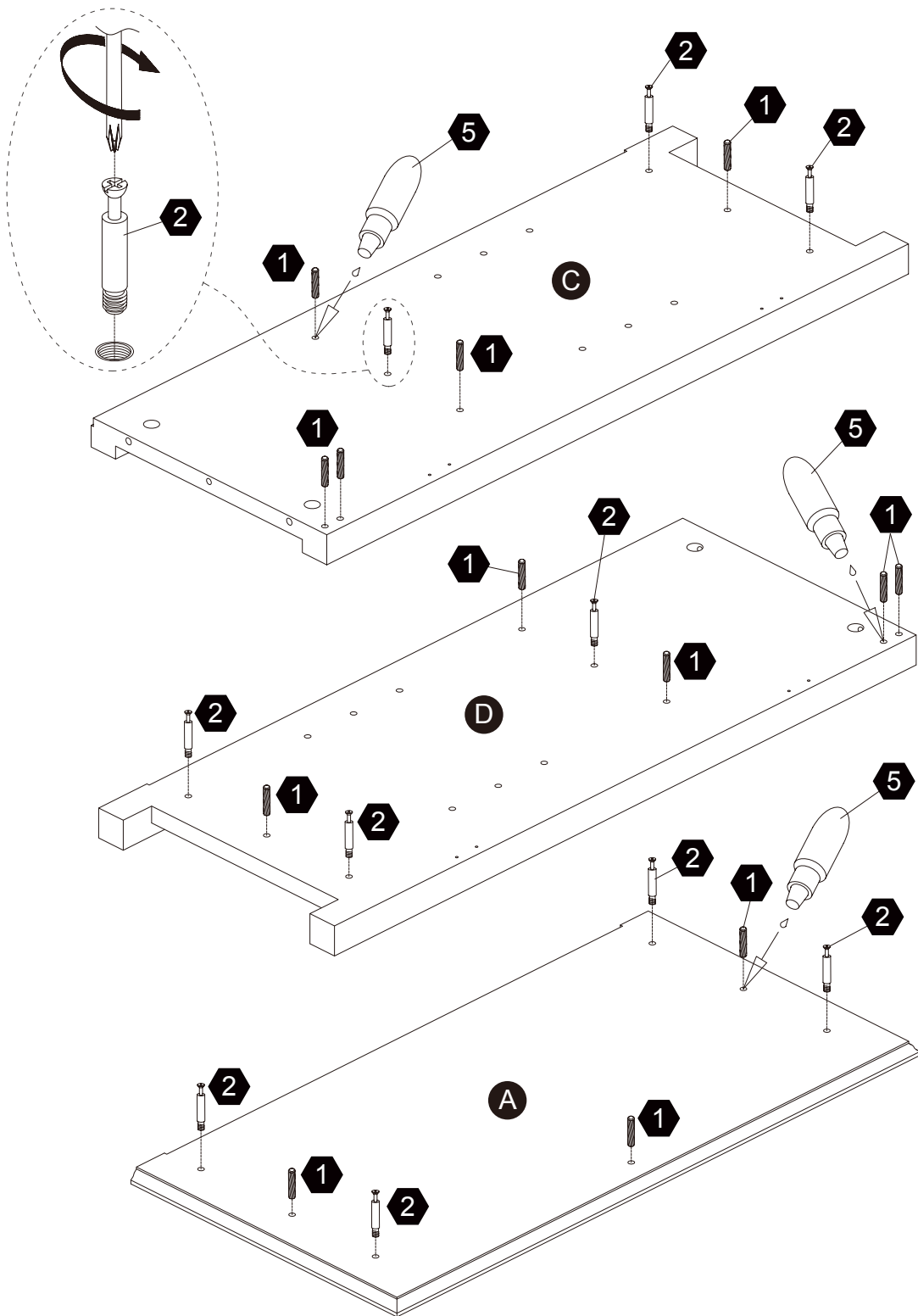
4 PCS



Scan for assembly instructions.


Step 1

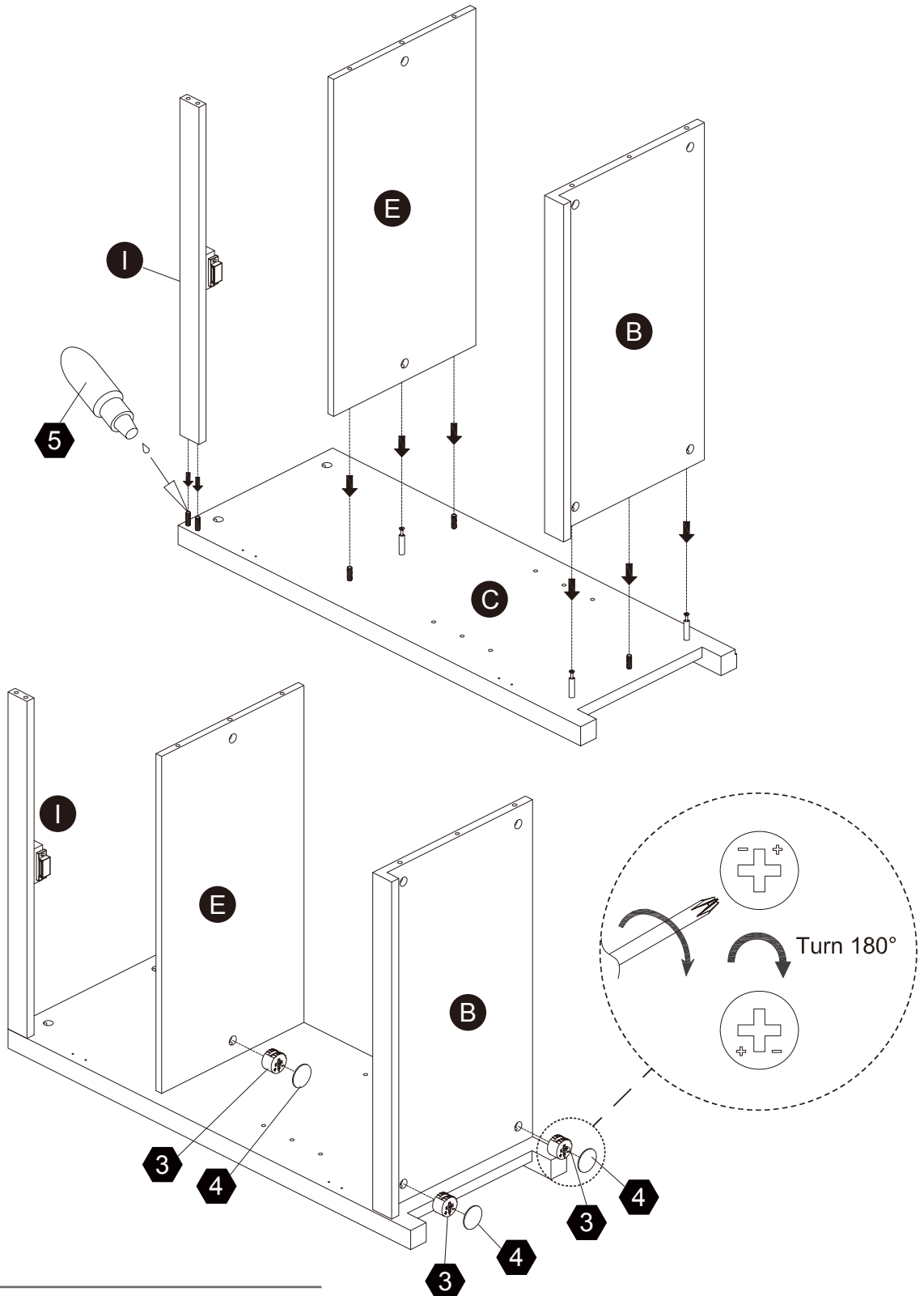
- 1  13 pcs $\text{\O}6*30\text{mm}$
- 2  10 pcs
- 5  1 pc



Scan for assembly instructions.

Step 2

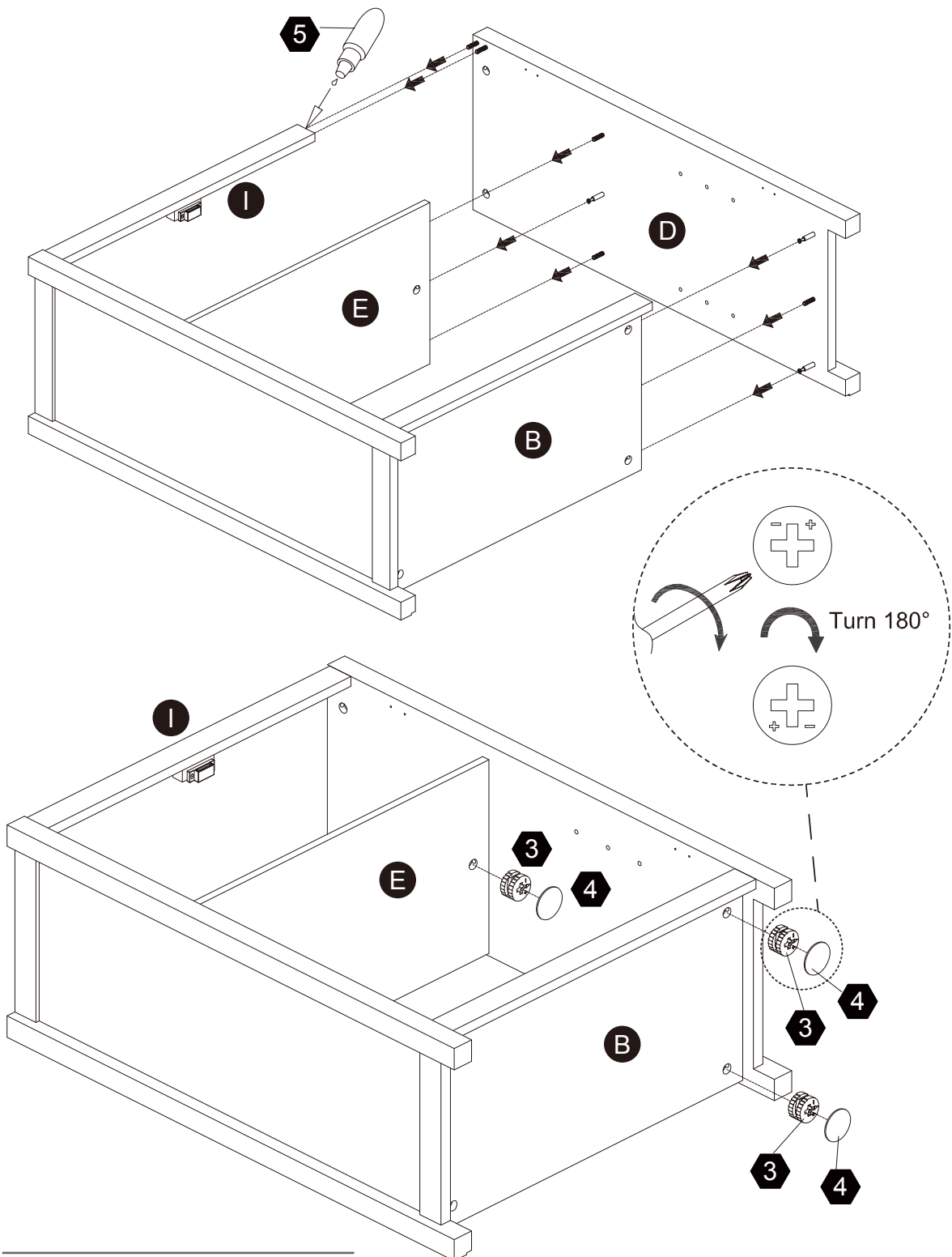
3  3 pcs 4  3 pcs 5  1 pc



Scan for assembly instructions.

Step 3

- 3  3 pcs
- 4  3 pcs
- 5  1 pc



Scan for assembly instructions.

Step 4

3



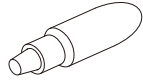
4 pcs

4

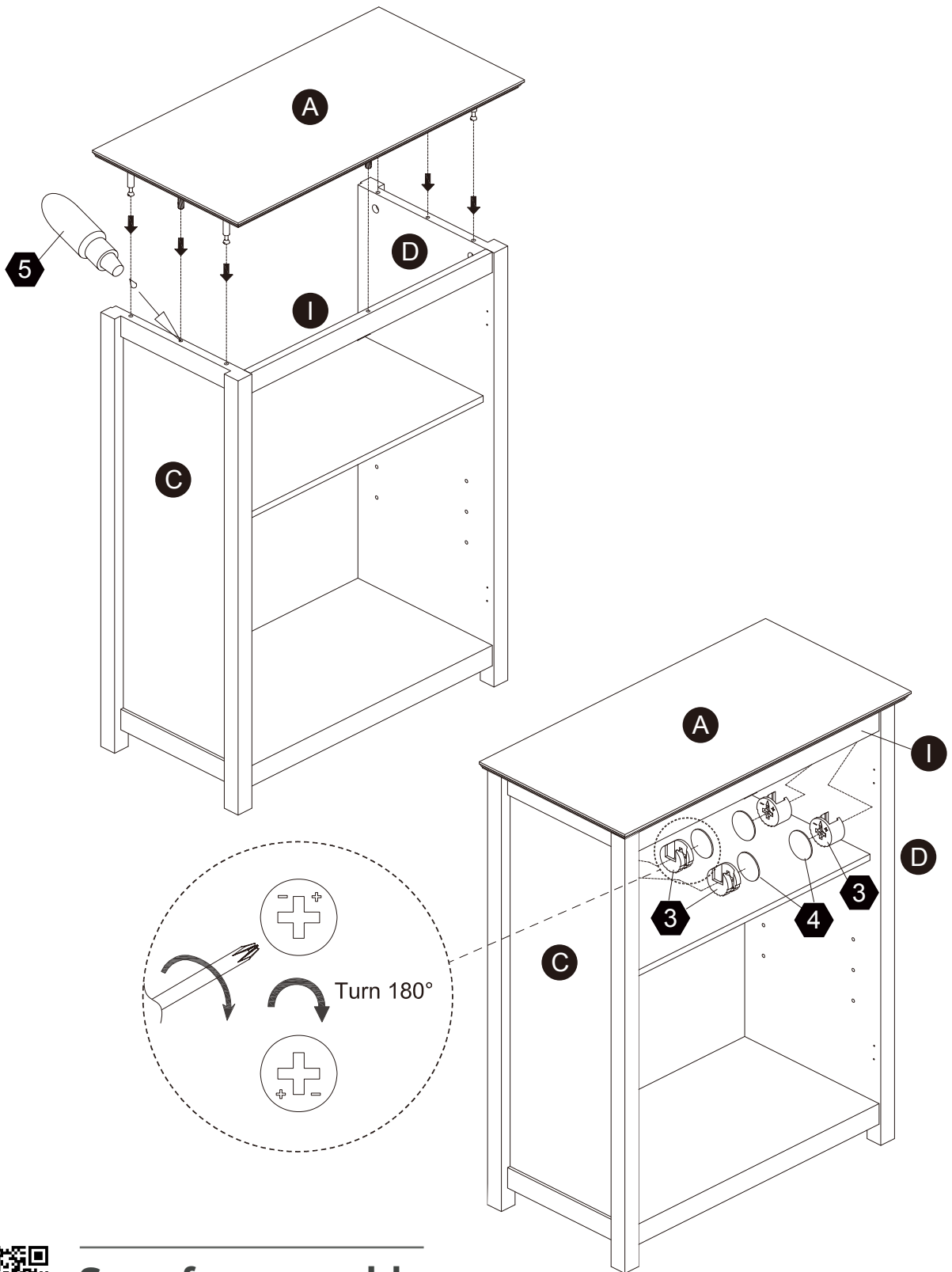


4 pcs

5




1 pc




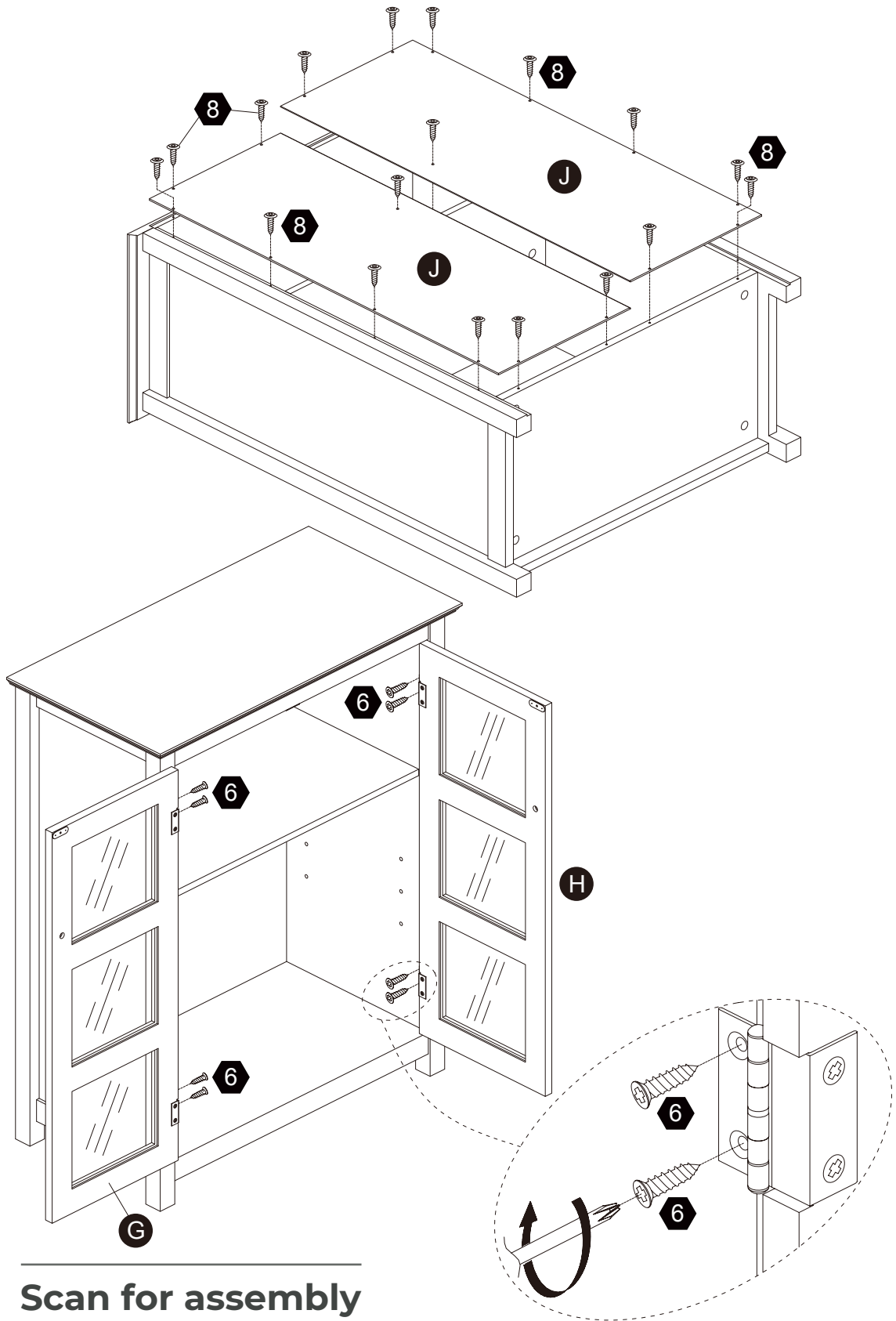
Scan for assembly instructions.

Step 5

6  Ø3*12mm

8 pcs

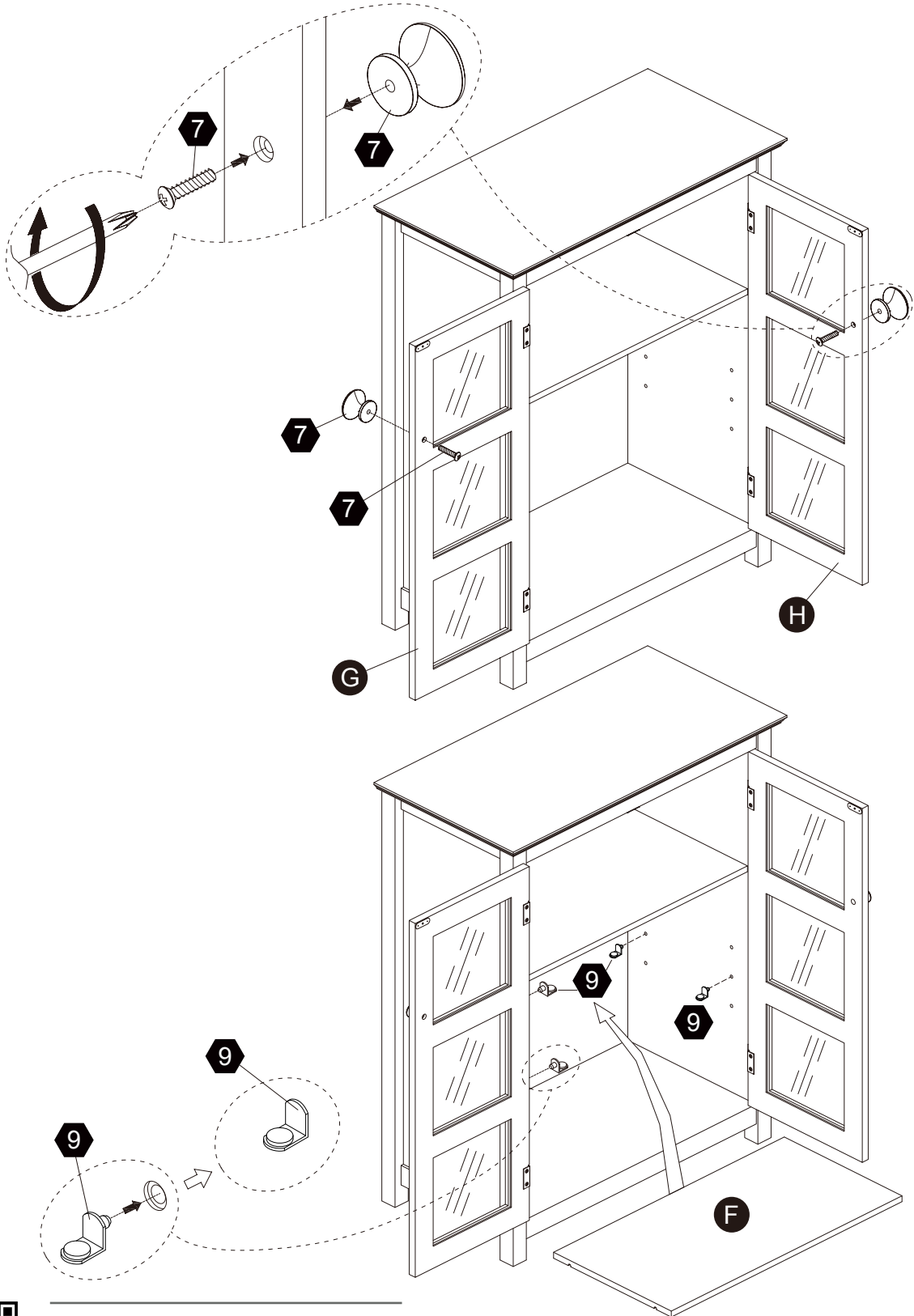
8  Ø3*12 D=7 18 pcs



Scan for assembly instructions.

Step 6

7 2 sets 9 4 pcs



Scan for assembly instructions.