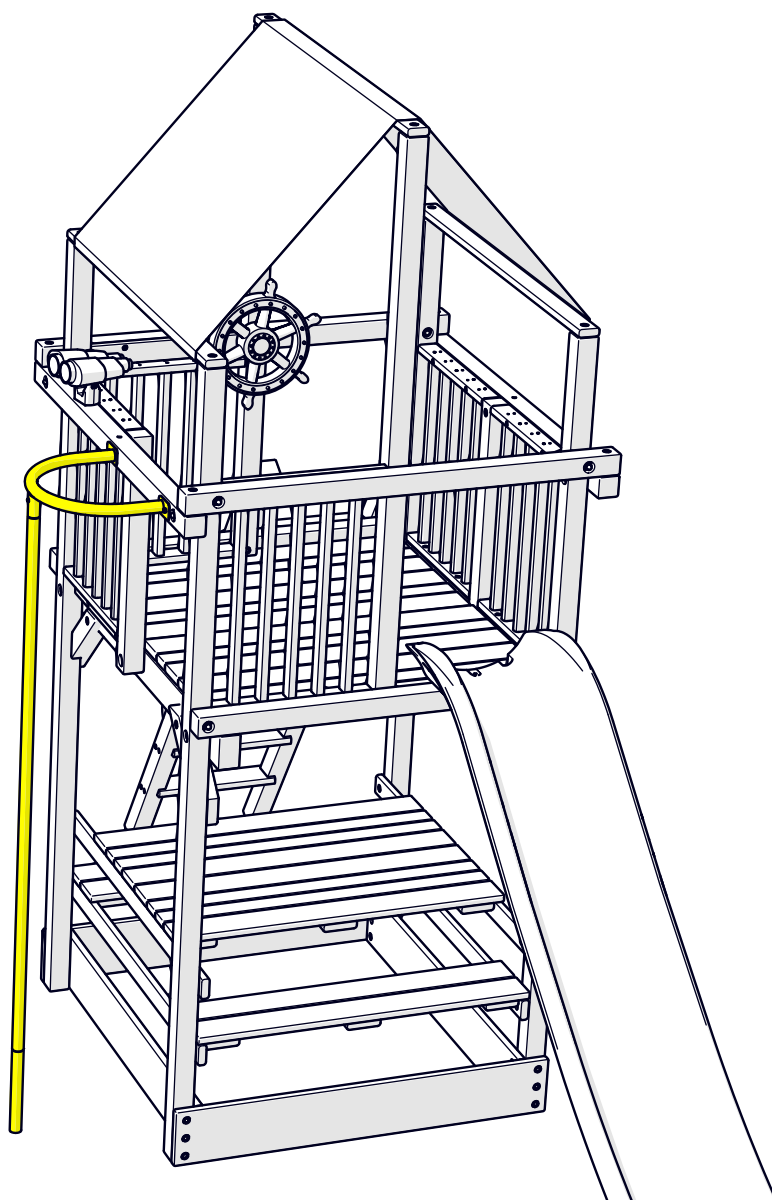


WOODPLAY[®]

Playsets

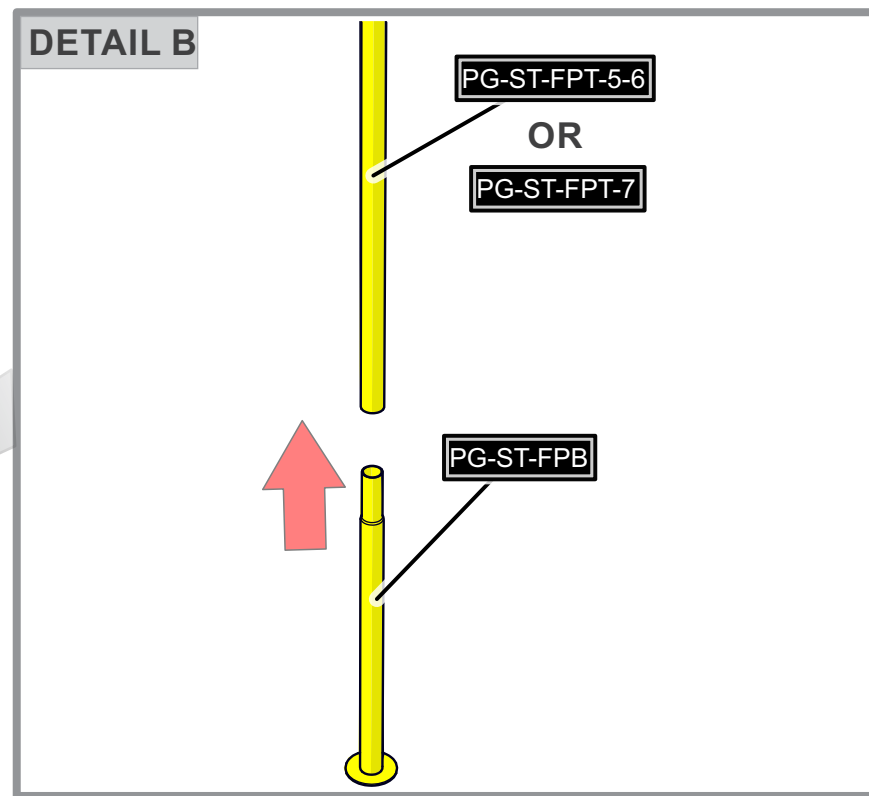
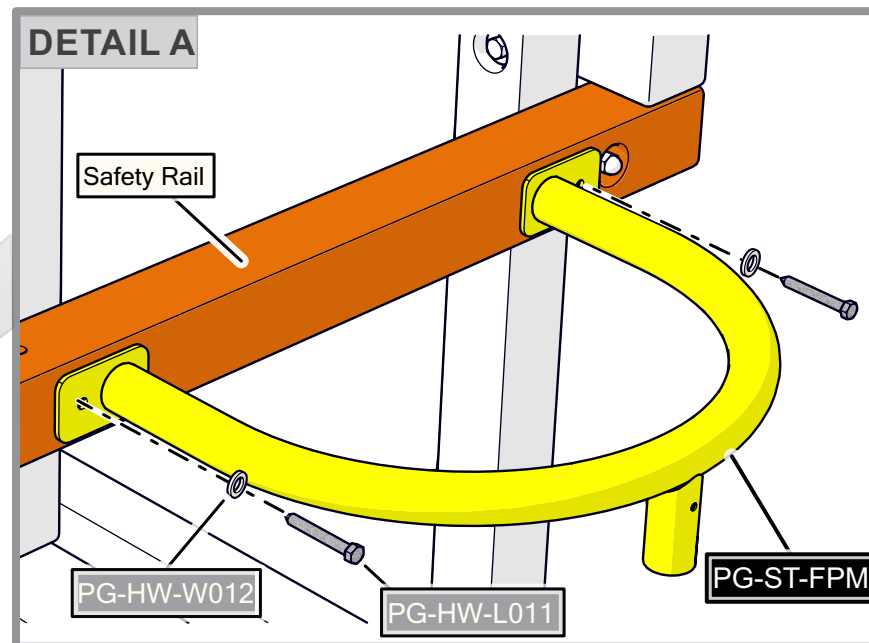
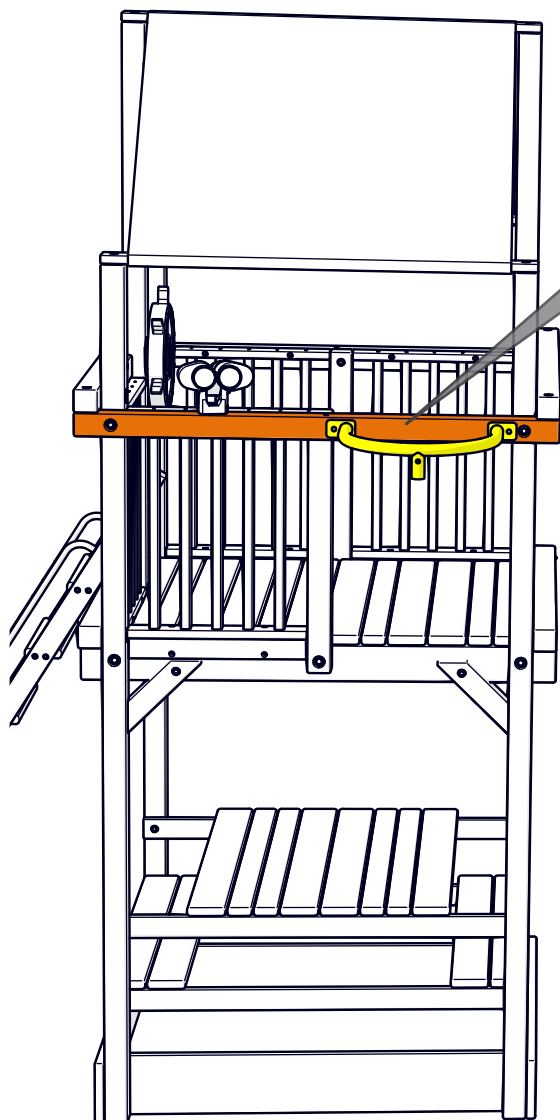
FIREPOLE **Assembly Instructions**



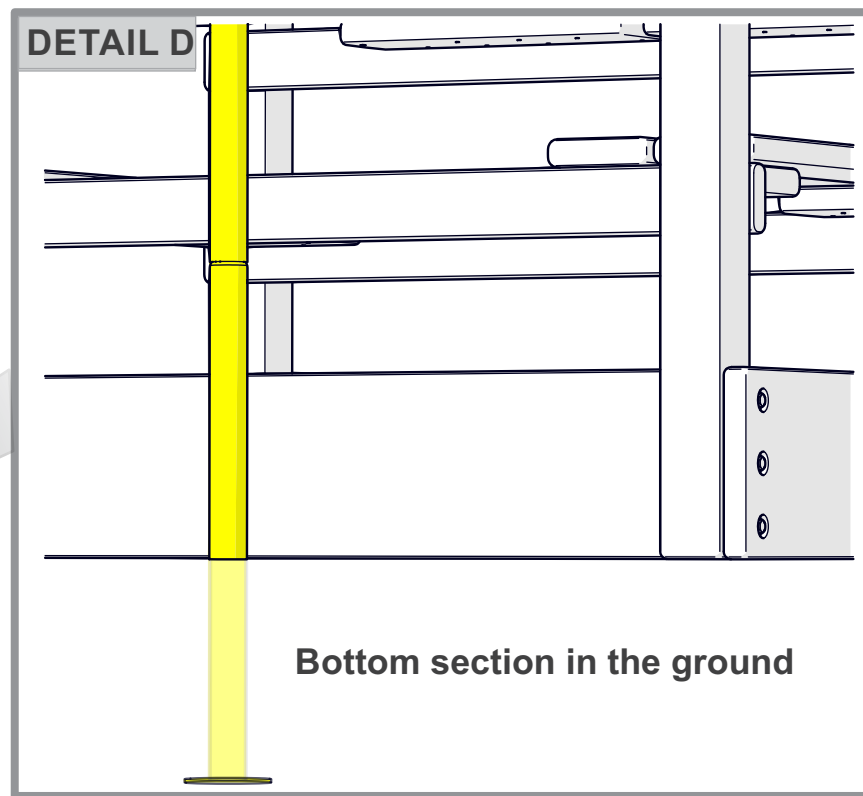
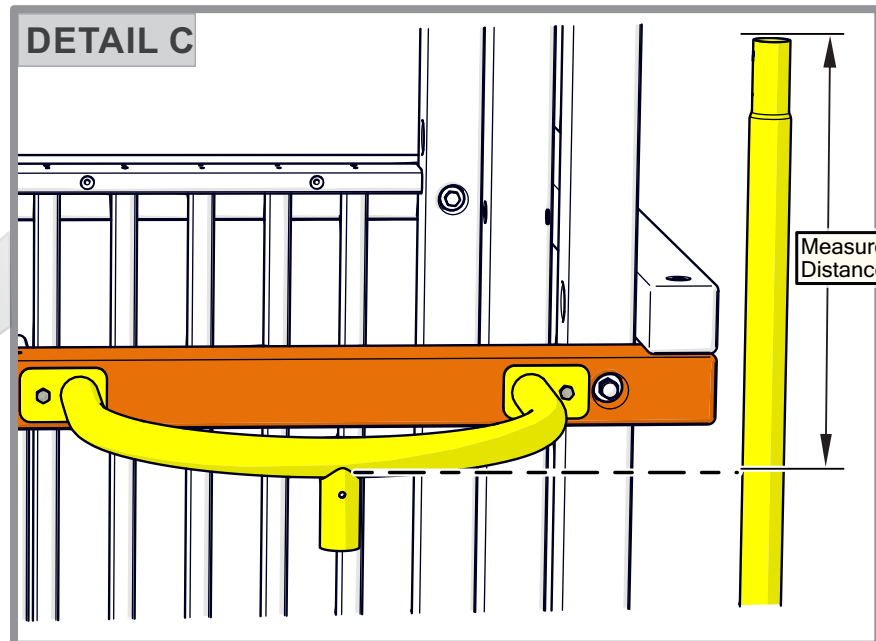
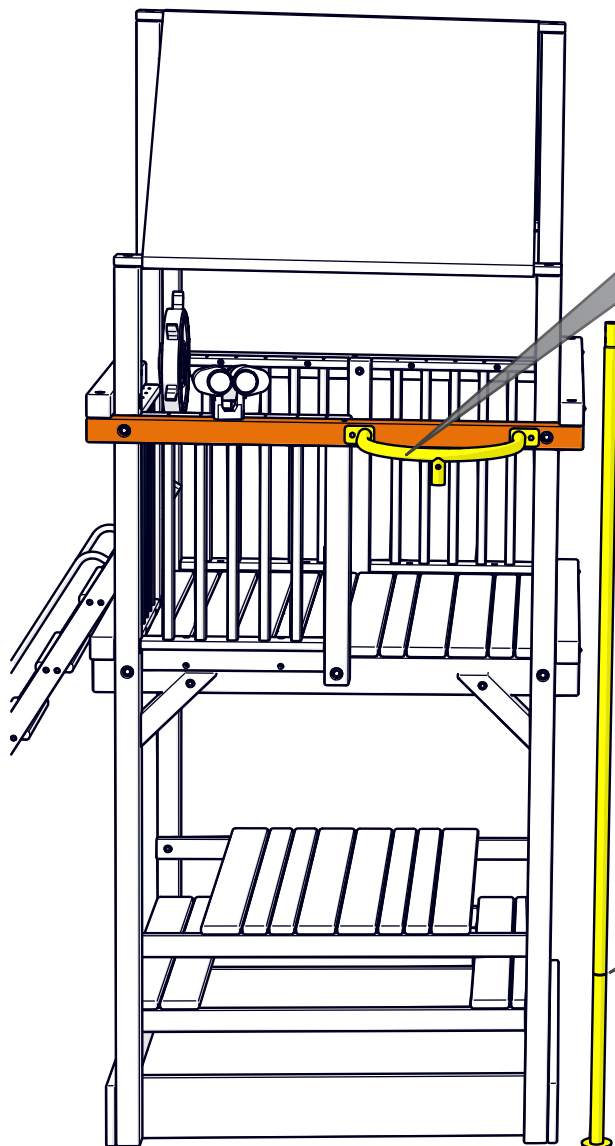
PG-MAN-FP-00

1. Center part **PG-ST-FPM** to the opening and on the Safety Rail and attach with Lag screws **PG-HW-L011** & Washers **PG-HW-W012** as shown in **Detail A**.

2. Insert pole bottom **PG-ST-FPB** into Main pole. If you have a 5 or 6 foot deck use pole **PG-ST-FPT-5-6** or **PG-ST-FPT-7** for a 7 foot deck. See **Detail B**



- Stand assembled pole next to the mounting tube and measure the distance shown in **Detail C**. This distance will determine how deep you dig the hole to mount the bottom section of the pole.
- Dig hole and place assembled tube in the ground making sure the pole will be straight once inserted in the hole. See **Detail D**.



WARNING

Before digging for the firepole, contact your local One-Call system (dial 811) in your area.

811 Know what's below. Call before you dig. 1-888-258-0808

Utility Markings

Color	Definition
Red	Electric
Yellow	Gas, Oil, Petroleum
Orange	Communication, Phone, TV
Blue	Potable Water, Irrigation
Green/Brown	Sewer
White	Proposed Dig

5. Insert the top part of the Pole into the mounting tube and fasten with two 1/4" lock washers **PG-HW-W013** and two button head screws **PG-HW-B023** as shown in **Detail E**.

6. Fill the hole in and check the pole is secure.

