

# Kräus<sup>®</sup>

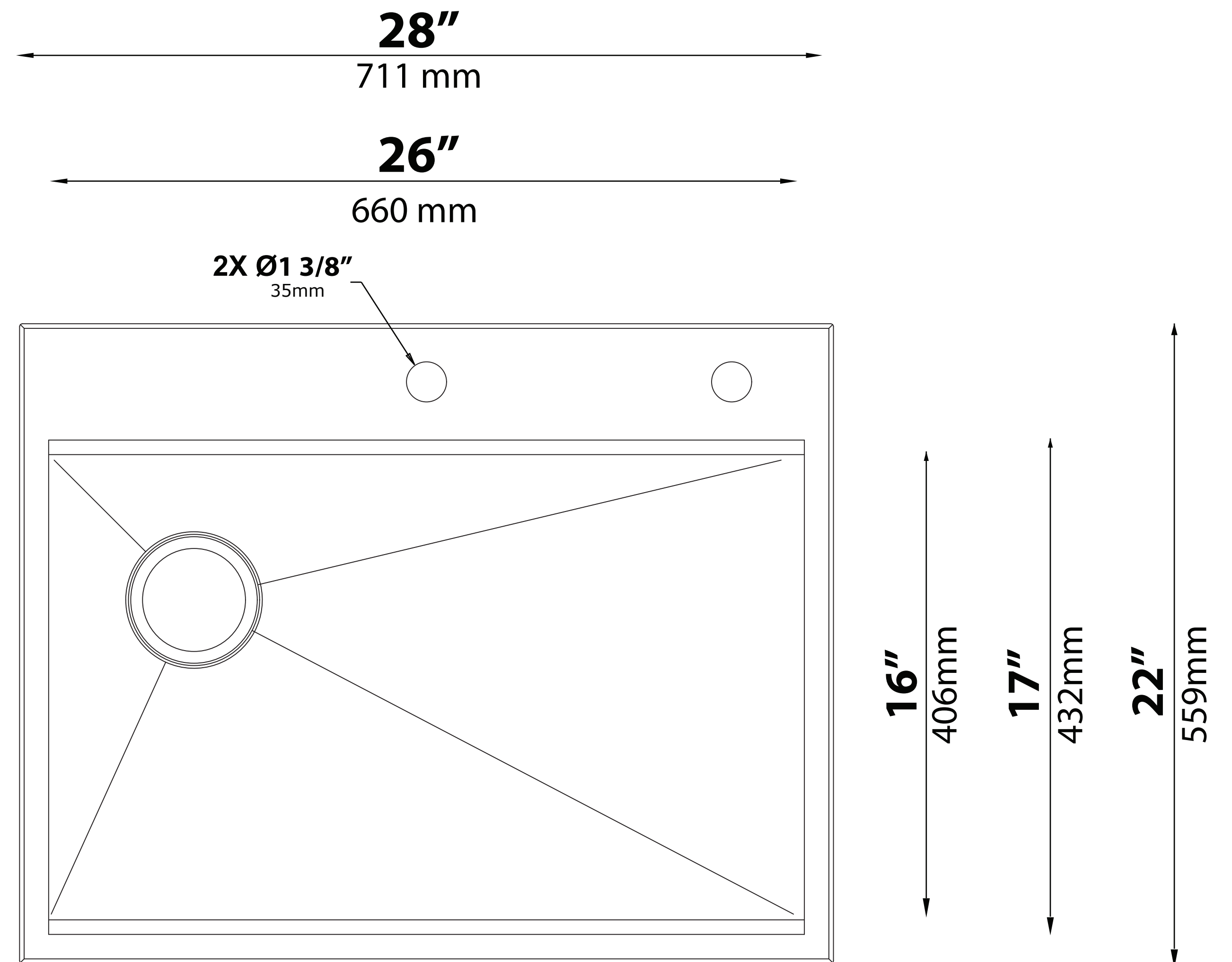
www.kraususa.com

**Model No.  
KWT320-28-18**

**Top Mount Cut-out**

Pro Hotline: 516.801.8955

Customer Service: 800.775.0703



**NOTE:** Cutout template is provided as a guide **ONLY** and must be checked against actual sink to verify correct fit.