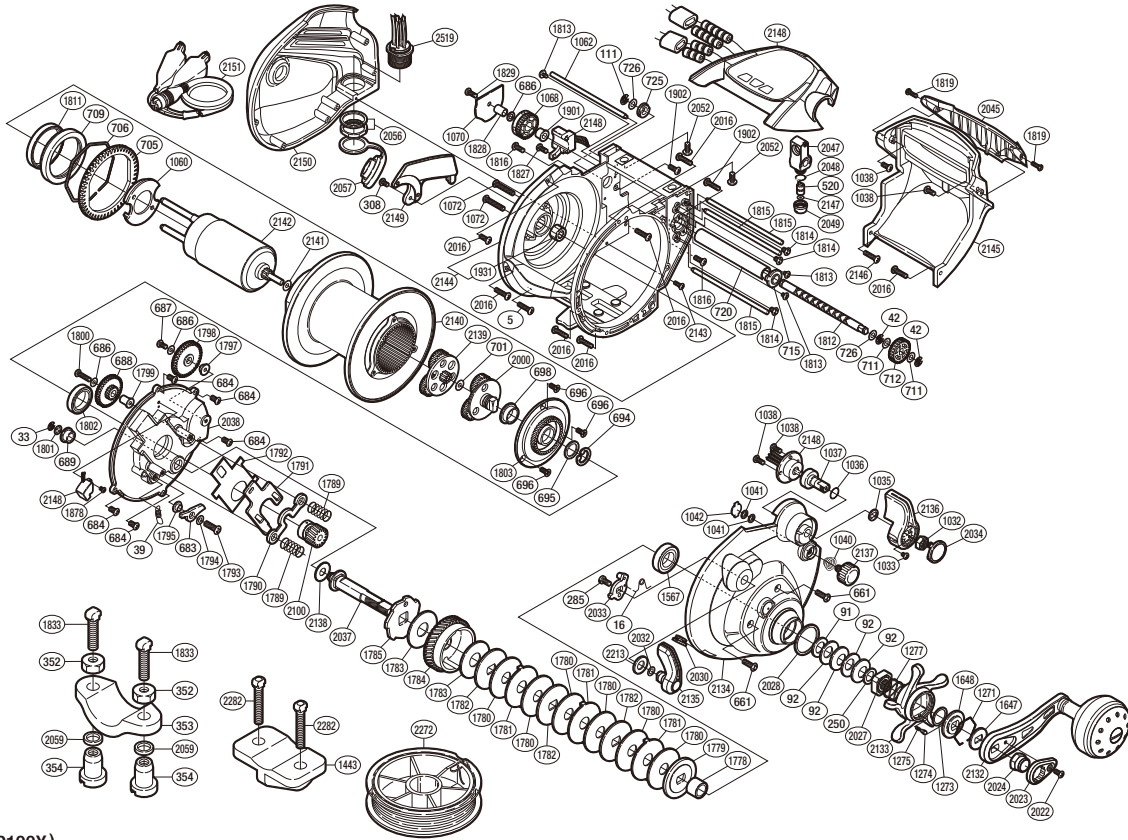


SHIMANO

ForceMaster

FM-9000



(51RG459100X)

#	Part No.	Description	#	Part No.	Description	#	Part No.	Description
5	10LZE	Screw	1271	10KXX	Click Plate Retainer	2027	10A3P	Star Drag Nut
16	10JYX	Clutch Spring	1273	10G6M	Washer	2028	10G6V	Star Drag Spacer
33	105NG	E Lock	1274	10BT0	Click Pin	2030	106NV	Line Clip
39	10CBS	Anti-Reverse Pawl Spring	1275	10HZ6	Click Spring	2032	109RJ	Washer
42	105NE	E Lock	1277	10HZ2	Star Drag Spring	2033	10871	Clutch Cam
91	104L5	Bearing Thrust Washer	1567	10KXA	Ball Bearing	2034	10N72	Lever Switch Sticker
92	1052E	Coned Disc Spring	1647	107QM	Drive Shaft Shield	2037	105D3	Drive Shaft
111	105NJ	E Lock	1648	10J27	Star Drag Click Plate	2038	105WW	Set Plate
250	10BR1	Star Drag Washer	1778	10BT6	Drive Shaft Sleeve	2045	10B3M	Level Wind Cover Sticker
285	10F8M	Screw	1779	10D4H	Pressure Plate	2047	10P46	Line Guide
308	10LSK	Screw	1780	10L86	Drag Washer	2048	108WQ	O Ring
520	10FFZ	Line Guide Pawl	1781	10LBB	Eared Washer	2049	10FJD	Pawl Cap
661	10M70	Screw	1782	10KZW	Key Washer	2052	103HE	Screw
683	10PFV	Anti-Reverse Pawl	1783	10CKR	Drag Washer	2056	10BGS	Socket Nut Set
684	10M6K	Screw	1784	10Q9X	Drive Gear	2057	104SL	Socket Cap
686	105EN	Washer	1785	10A2H	Anti-Reverse Ratchet	2100	1066Y	Pinion Gear
687	103GP	Screw	1789	104BV	Yoke Spring	2132	103XH	Handle Assembly
688	10PSZ	Worm Idle Gear B	1790	1047Y	Yoke	2133	10B84	Star Drag
689	10BQ3	Drive Shaft Bushing	1791	1094R	Clutch Plate	2134	10TQV	Right Side Plate
694	105S8	C Lock	1792	10AYE	Clutch Plate Washer	2135	10TMP	Clutch Lever
695	109RA	Washer	1793	10MG8	Screw	2136	10MRE	Lever Switch
696	10ML5	Screw	1794	10GCV	Washer	2137	10KT8	Cast Control Cap
698	10MGW	Plate Bushing (Large)	1795	10PKN	Anti-Reverse Pawl Cover	2138	10GN2	Washer
701	109R9	Washer	1797	10PYU	Worm Idle Gear Bushing A	2139	10MHZ	Reduction Gear Plate A
705	10CUW	Counter Gear A	1798	10MCN	Worm Idle Gear A	2140	10TQR	Spool Assembly
706	106PU	Gear Retainer	1799	10PYX	Worm Idle Gear Bushing B	2141	10GN4	Washer
709	10PWQ	Bearing Rim	1800	103LZ	Screw	2142	106JS	Motor
711	105KF	Washer	1801	10J8D	Washer	2143	10LPH	Screw
712	10N99	Worm Gear	1802	108PG	Ball Bearing	2144	10TQP	Frame
715	104T6	Worm Bushing	1803	10HSK	Spool Plate	2145	10GGL	Level Wind Protector
720	10NMQ	Level Wind Guard	1811	104PK	Ball Bearing	2146	10M33	Screw
725	104SX	Worm Bushing	1812	10586	Worm Shaft	2147	10705	Spacer
726	109RN	Washer	1813	10MPG	Screw	2148	10TR5	Counter Unit
1032	10NAN	Lever Switch Nut	1814	103L1	Screw	2149	10Q2Y	Motor Holder B
1033	103N3	Screw	1815	10PCN	Stabilizer Bar	2150	10DLN	Left Side Plate
1035	10NAQ	Key Washer	1816	10M2A	Screw	2213	10GD1	Washer
1036	10NAR	O Ring	1819	10MQ2	Screw	2519	100XP	Socket Set
1037	10N77	Lever Insert Shaft	1827	103GQ	Screw			
1038	10LZF	Screw	1828	106PY	Counter Gear Bushing B	352	105N9	Rod Clamp Nut B (Accessory)
1040	10BRG	Spool Tension Spring	1829	103LK	Screw	353	10AR5	Rod Clamp (Accessory)
1041	105SB	Cs Lock	1878	10MT4	Screw	354	1046P	Rod Clamp Nut A (Accessory)
1042	1085L	Cast Control Spacer	1902	10LSZ	Screw	1443	10J9P	Rod Clamp (Accessory)
1060	10F1Q	Motor Holder	1931	10F5G	Roller Clutch Bearing	1833	10A79	Rod Clamp Bolt (Accessory)
1062	10PCL	Stabilizer Bar A	2000	10MM6	Reduction Gear Plate B	2059	10B7V	Rod Clamp Nut Washer (Accessory)
1068	10MZL	Counter Gear B	2016	10LT4	Screw	2282	101UW	Rod Clamp Bolt (Accessory)
1070	10QC8	Cord Cover	2022	103GK	Screw			
1072	10MC0	Screw	2023	10QL6	Rotor Nut Lock Plate	2151	10FBT	Cable (Accessory)
1091	106PW	Counter Gear Bushing	2024	10FT0	Handle Nut	2272	10SB8	Bobbin With Line (Accessory)

Please note that the number of adjusting washers may not be the same as shown in the exploded views. (Adjustment will vary with each individual product.)