

88 9100 111 Concrete Top

IMPORTANT NOTE

Carefully remove all the parts from the carton and put them individually on a soft cloth to prevent scratches or other damages occurring to the parts.

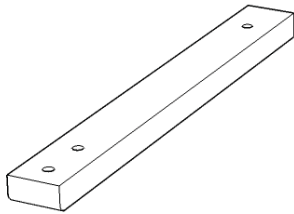
We have taken great care in the design of this product and request that you carefully and strictly follow our assembly instructions to ensure a completed product as it was designed.

*Home
Styles*



**9100 Series
Top Assembly Instructions**

Part List

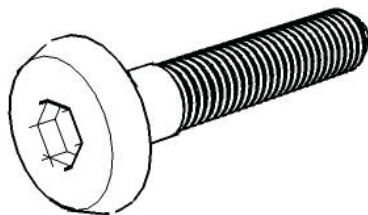


X.
Support Top
2 Pcs.



W.
Top
1 Pc.

Hardware List



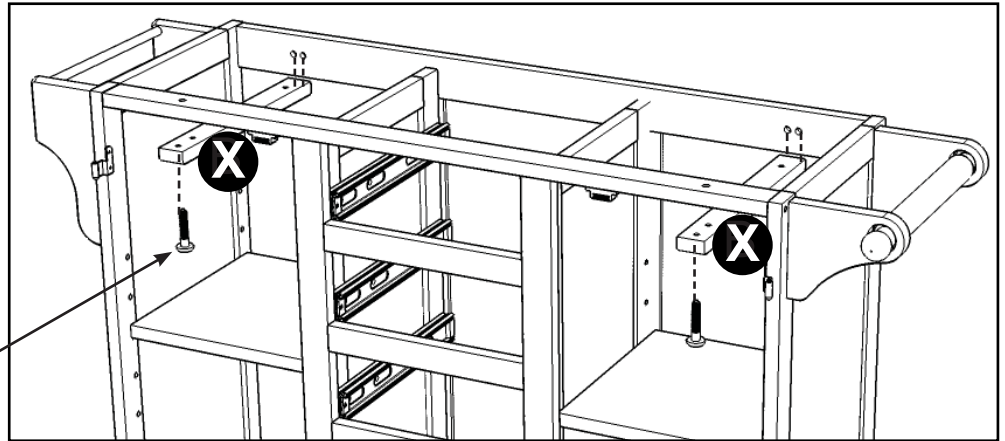
M6x30
Head Cap Bolt
6 Pcs. (+1 extra)

9100 Series Top Assembly Instructions

STEP 1

Put back end of Top Supports (X) into the pre-drilled holes in unit and attach with Head Cap Bolts.

Head Cap Bolt



STEP 2

Place Top (W) onto the unit and then tighten all Head Cap Bolts.

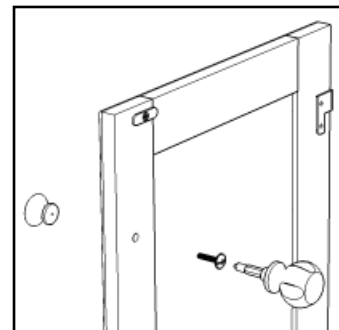
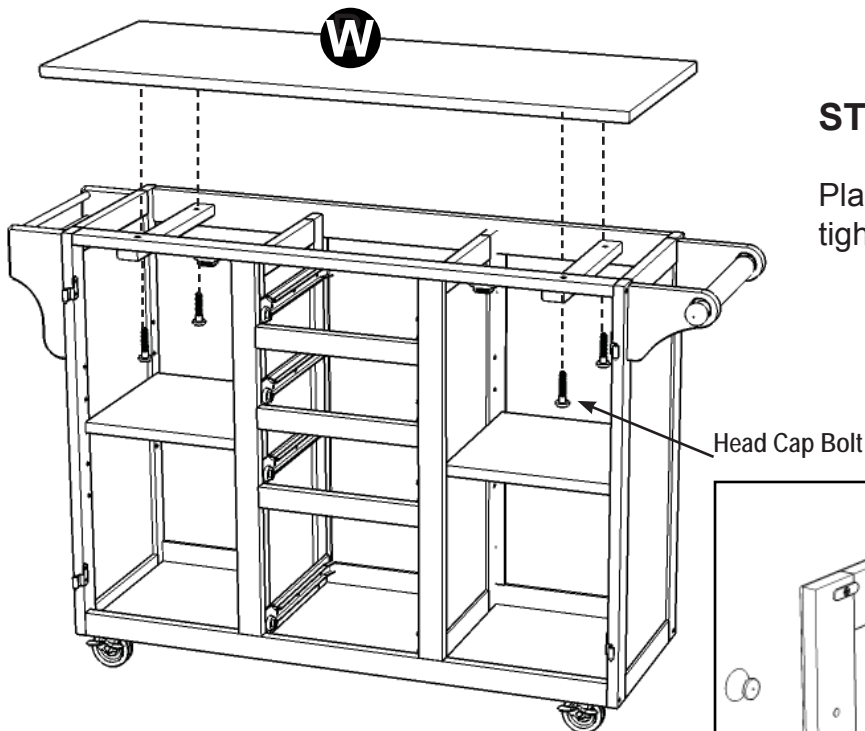


Figure 1

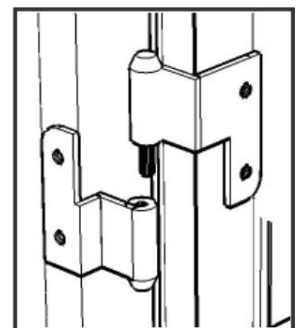


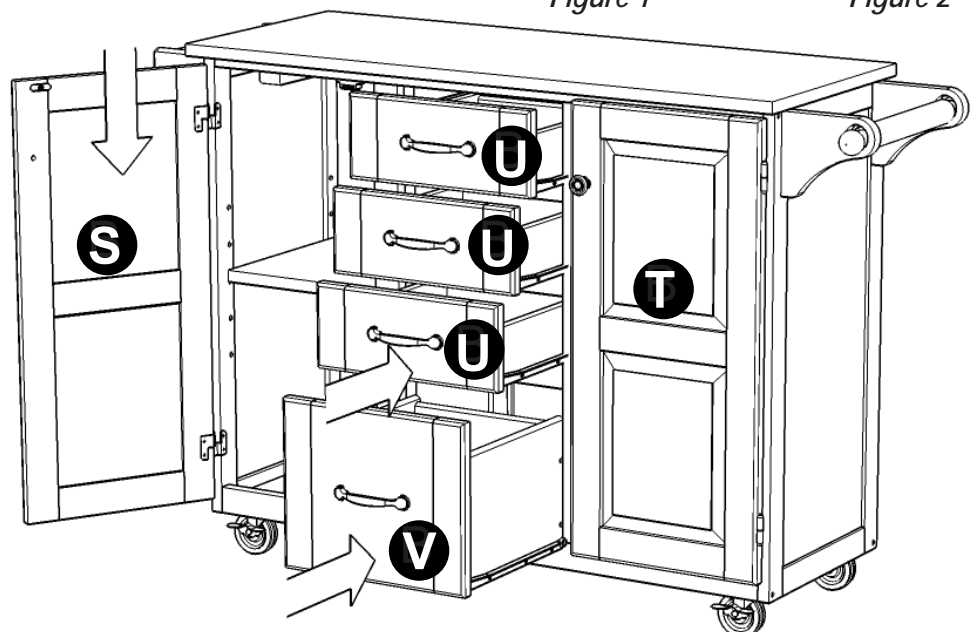
Figure 2

STEP 3

Attach Pull Handles to Doors (S) and (T) using Machine Screws. (See Figure 1)

Attach Doors (S) and (T) by sliding door lift hinges into the side panel lift hinges. (See Figure 2)

Slide Drawers (U) and (V) into place.



88 9100 111 Concrete Top

IMPORTANT NOTE

Carefully remove all the parts from the carton and put them individually on a soft cloth to prevent scratches or other damages occurring to the parts.

We have taken great care in the design of this product and request that you carefully and strictly follow our assembly instructions to ensure a completed product as it was designed.

*Home
Styles*



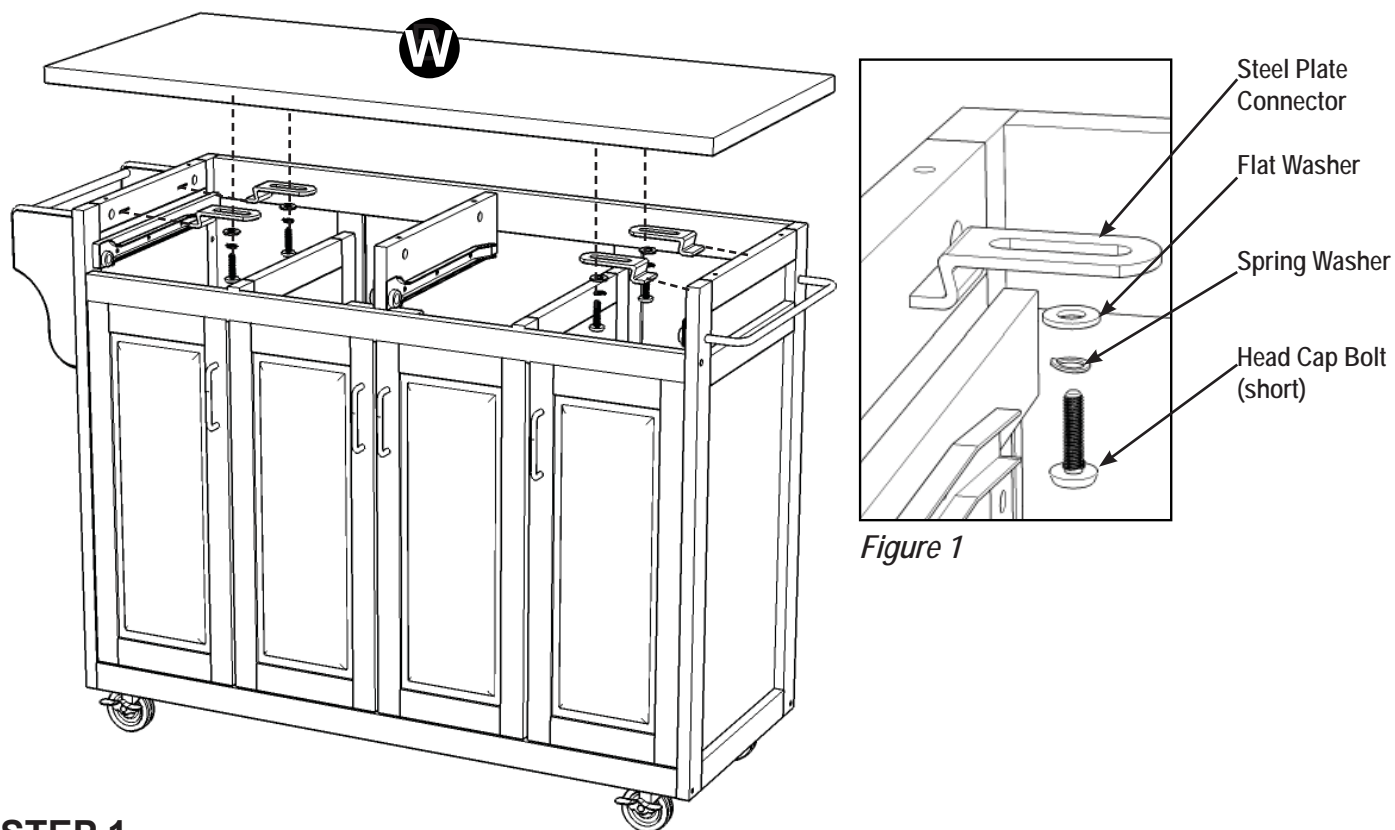
**9200 Series
Top Assembly Instructions**

Part List



W.
Top
1 Pc.

9200 Series Top Assembly Instructions



STEP 1

Remove the drawers from the unit.

Place Top (W) onto the unit and attach it to the body with the Steel Plate Connectors, Flat Washers, Spring Washers and Head Cap Bolts (short). (See Figure 1)

Slide the drawers into place.

