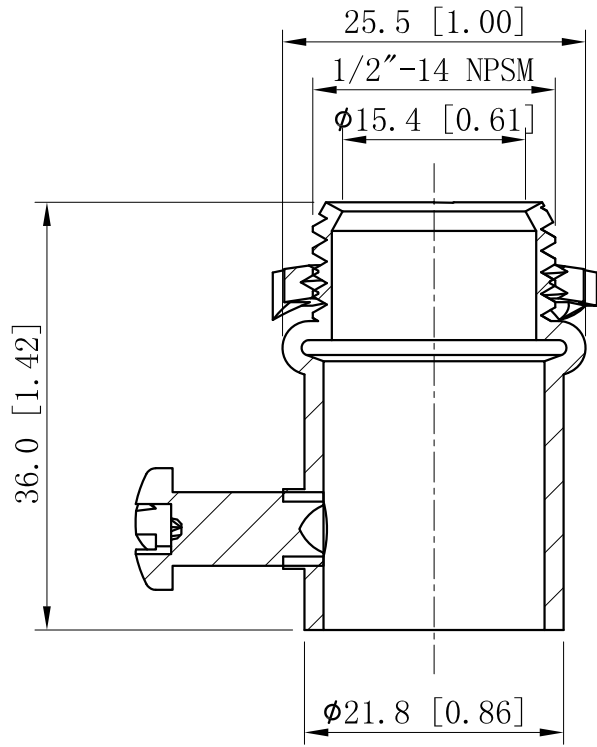
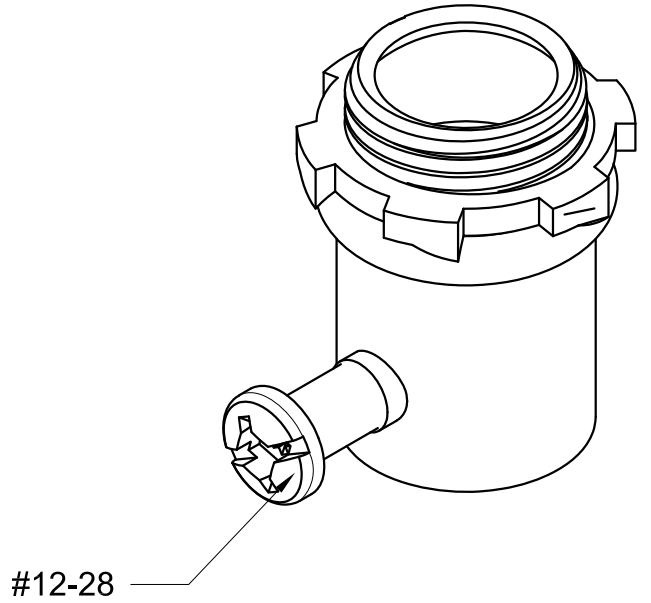
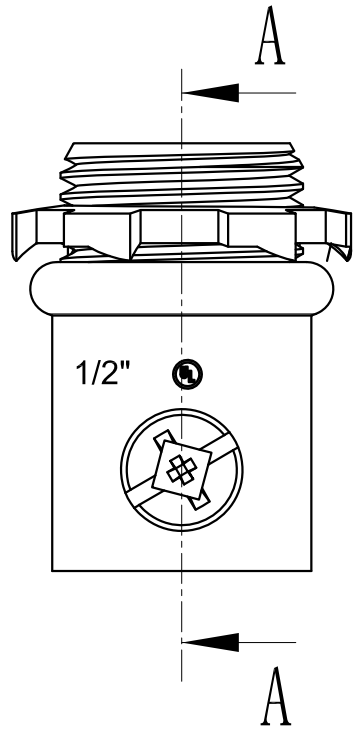


SIDES	BOTTOM
1pcs #12-28×3/8 Screws Installed	
Material:Steel-Welding tube, zinc plated	



CUTAWAY VIEW A-A



DESCRIPTION
TRADE REFERENCE TERMS

STANDARD PACKING
50 PCS

This data sheet is for reference only .GARVIN INDUSTRIES reserves the right to make changes to the design without prior notice.

<b>GARVIN INDUSTRIES</b>		
TITLE STEEL EMT SET SCREW CONNECTORS		
SIZE A4	DWG NO. SSCN-50	REV
DATA SHEET		