

**AXOR ShowerSolutions**  
**Thermostatic Trim 5" x 5"**  
Finishes : **chrome** Part no. : **10755001**



## Description

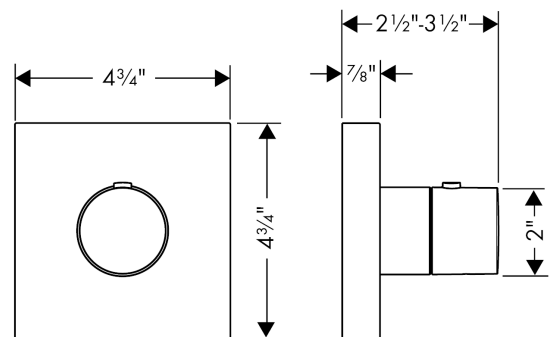
### Features

- Flow: 16.0 GPM (60.6 L/Min)
- Thermostatic cartridge
- Anti-scald 100° safety stop

## Product image



## Scale drawing

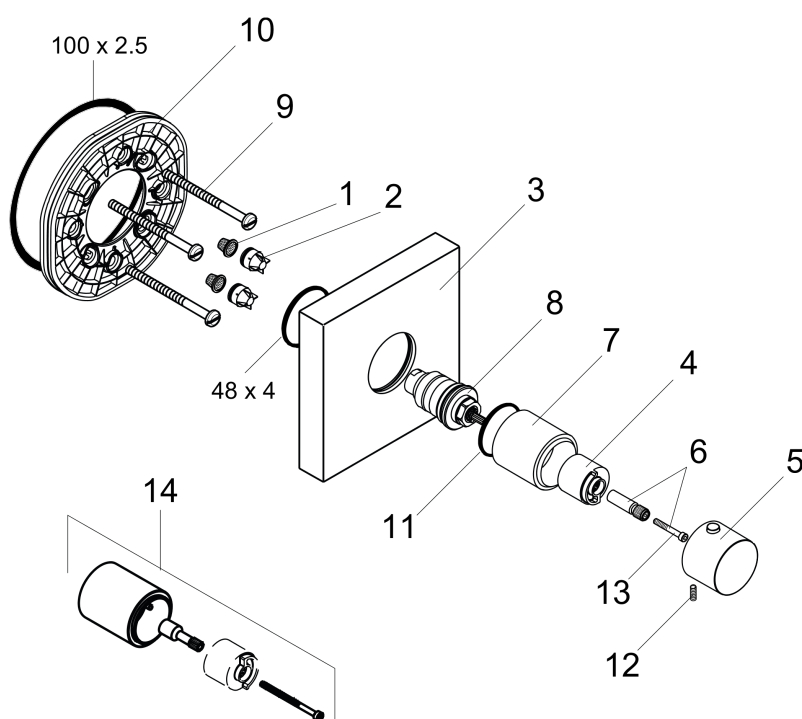


**AXOR ShowerSolutions**  
**Thermostatic Trim 5" x 5"**  
Finishes : **chrome**    Part no. : **10755001**



## Exploded drawing

Year of production: >08/09



**AXOR ShowerSolutions**  
**Thermostatic Trim 5" x 5"**  
 Finishes : **chrome**    Part no. : **10755001**



## Spare parts list

Year of production: >08/09

Pos.	Description	Part no.	PC	PU
1	filter	97973000	0	1
2	set of non return valves DW 15	97350000	0	1
3	escutcheon	95467000	0	1
4	safety set for temperature control	97334000	0	1
5	handle for thermostat	95316001	0	1
6	adapter for handle	98701000	0	1
7	sleeve	95331000	0	1
8	thermostat cartridge	96633000	0	1
9	set of fixing screws	96454000	0	1
10	sub plate	95450000	0	1
11	O-ring 28x2,5	98209000	0	1
12	hollow set screw M4x16	97663000	0	1
13	hexagon socket screw M4x35	92160000	0	1
14	extension 25 mm	10790000	0	1
a	base body	10754181	0	1
b	filter	97735000	0	1
c	aerator M24x1 (15 l/min)	13913000	0	1
d	screw cover	96338000	0	1