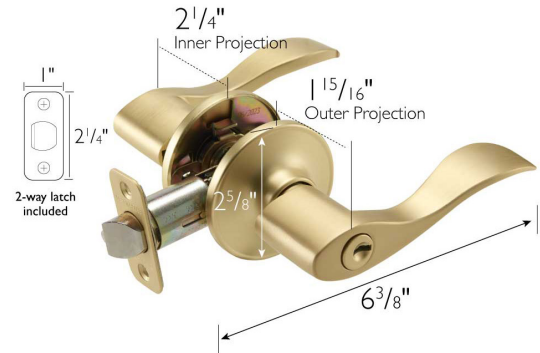


Springdale Keyed Entry Door Handle Satin Gold



Compatible with Standard Doors	
Backset	2 3/8" - 2 3/4"
Door Thickness	1 3/8" - 1 3/4"
Cross Bore	2 1/8"
Edge Bore	1"

SPECIFICATIONS

MATERIAL CONSTRUCTION:	Brass/Steel	KEYWAY:	KW
LOCK FUNCTION:	Entry Lever	REMOVABLE CORE:	No
DEADBOLT FUNCTION:	No	LATCH FACEPLATE:	Round Corner
EXTERIOR MAX PROJECTION:	1 15/16"	LATCH BACKSET:	Adj; 2-3/8" - 2-3/4"
INTERIOR MAX PROJECTION:	2 1/4"	LATCH TYPE:	2 Way (fixed faceplate)
KNOB VS. LEVER:	Lever	LATCHBOLT THROW DISTANCE:	1/2"
LEVER LENGTH:	4 5/8"	# PINS IN CYLINDER:	5
ROSE DIMENSIONS:	2 5/8" H x 2 5/8" W	ANTI-BUMP PIN INSTALLED:	Yes
ROSETTE / ESCUTCHEON SHAPE:	Round	# KEYS INCLUDED:	2
CROSS BORE:	2 1/8"	SPINDLE TYPE:	Half-Moon
EDGE BORE:	1"	MOUNTING HARDWARE INCLUDED:	Yes
HANDING:	Reversible	TOOLS NEEDED FOR INSTALLATION:	Screwdriver
REKEYABLE?:	Yes	ASSEMBLED WEIGHT:	2.14 lbs.

WARRANTY:	5-Year limited warranty
ANSI CERTIFICATION:	Grade 3
BHMA GRADE:	3
FIRE RATED:	No
ADA COMPLIANT:	No



TYPE:
JOB:
ORDER CODE:
APPROVALS: