

Assembly Guide



Bush
FURNITURE

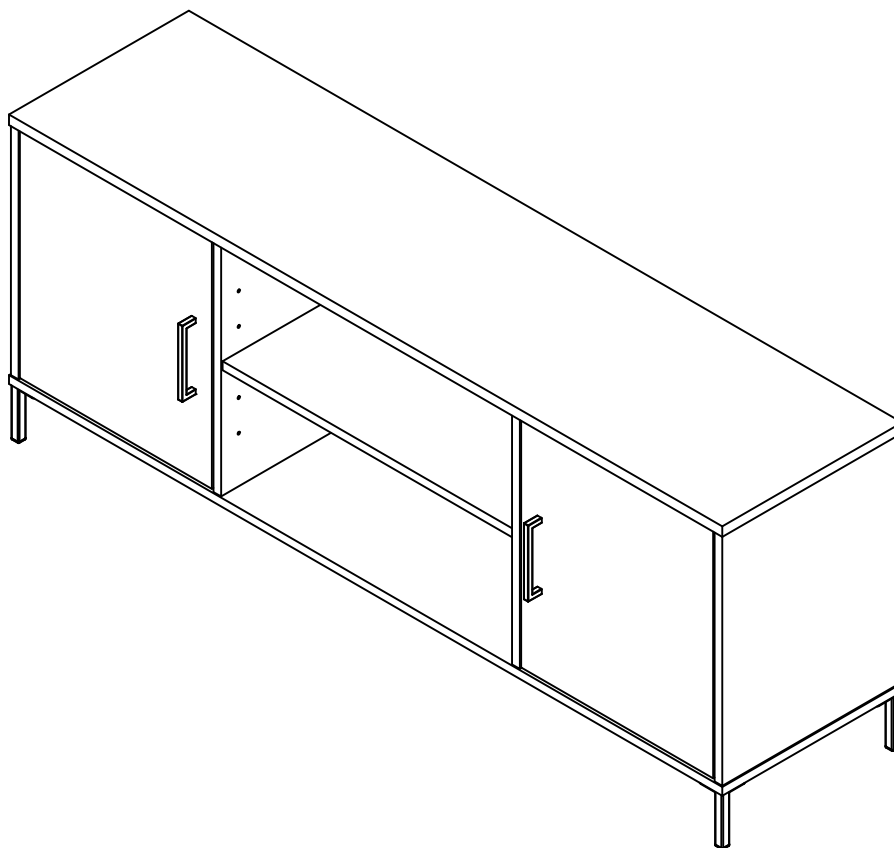


If you're having any difficulty during assembly of this product, don't hesitate to call us at **1-800-950-4782.**

Our customer service experts are trained to provide step-by-step instruction and can easily replace any missing or damaged parts.

Representatives are available Monday-Friday from 8:30 a.m. to 7:30 p.m. (ET)

58W TV Stand



Lot Code #

Instruction Sheet Number A220100

Keep manual for future reference.

For best results, keep these tips in mind:

- ① We know you want to finish this assembly as quickly as possible, but trust us: you'll have a better experience if you take it one step at a time.
- ② Give yourself some room to work near where you want the fully assembled product.
- ③ If your floor isn't carpeted, assemble this product on the empty carton to avoid scratching.
- ④ Do you have a friend who owes you a favor? Some steps may go a little easier with a second set of hands.

DOs

- ✔ Use a #2 Phillips head screwdriver (or other handheld tools as indicated)
- ✔ Wear safety glasses at all times during assembly
- ✔ Carefully follow the instructions in this guide and complete all steps in order
- ✔ Give us a call if you're having trouble with a particularly tricky step

DON'Ts

- ✘ We know power tools are quick and easy, but you shouldn't use them when assembling this product (unless otherwise specified)
- ✘ Never move your furniture with items inside or resting on the surface
- ✘ Do not attempt to use this product before all steps have been completed

Watch assembly videos right on your phone or computer!



Some steps include QR codes that link to helpful videos. Watch out for the icon below! Simply open up your smartphone camera to scan the code.

(Users of older smartphones may need to install a QR Reader.)

SCAN HERE



FOR VIDEOS

Or visit <https://bushfurniture.com/help-faq/#assembling>



IMPORTANT SAFETY INFORMATION



PLEASE READ WARNINGS

Improper use can cause safety hazards, or damage to your furniture and household items.

Warning	Do	Don't	Why it's important
Serious injury or death may occur.	<ul style="list-style-type: none">• Only place flat screen TVs on this product• Assemble following all instructions using all indicated parts and hardware provided.• For use with televisions weighing 70 lbs (31.7 kg) or less and having a diagonal screen size of 70 inches (1778 mm) or less• Install every indicated nail and/or screw.• Verify Furniture is stable on it's own.• Place heaviest items in the lower drawers or shelves.• Always install tipover restraint hardware provided.• Remove items that might tempt kids to climb, such as toys and remote controls from the top and upper shelves of furniture.	<ul style="list-style-type: none">• Do not move unit when loaded.• Do not exceed the maximum load limits stated in the instructions.• Do not allow children to stand, climb, or hang on furniture.	Improper assembly, use or loading can lead to product instability, tipover, or collapse.
Equipment damage may occur.	<ul style="list-style-type: none">• Remove vent hole punch outs to provide adequate cooling of electronic equipment	<ul style="list-style-type: none">• DO NOT store electronic equipment on nonvented or closed shelves.	Restricted or insufficient airflow may result in electronic equipment overheating and damage.

IMPORTANT SAFETY INFORMATION



PLEASE READ WARNINGS

Improper use can cause safety hazards, or damage to your furniture and household items.

Advertencia	Hacer	No	Por qué es importante
Pueden producirse lesiones graves o la muerte.	<ul style="list-style-type: none">• Coloque únicamente televisores de pantalla plana sobre este producto.• Realice el montaje siguiendo todas las instrucciones y utilizando todas las piezas indicadas y los herrajes suministrados.• Para televisores que pesen 31,7 kg (70 lbs) o menos y tengan una diagonal de pantalla de 1778 mm (70 pulgadas) o menos.• Instale todos los clavos y/o tornillos indicados.• Compruebe que el mueble sea estable por sí mismo..• Coloque los objetos más pesados en los cajones o estantes inferiores.• Instale siempre los herrajes de antivuelco suministrados.• Retire los objetos que puedan tentar a los niños a trepar, como juguetes y mandos a distancia, de los estantes superiores y superiores del mueble.	<ul style="list-style-type: none">• No mueva la unidad cuando esté cargada.• No supere los límites máximos de carga indicados en las instrucciones.• No permita que los niños se pongan de pie, trepen o se cuelguen de los muebles.	El montaje, uso o carga inadecuados pueden provocar inestabilidad, vuelco o colapso del producto.
Pueden producirse daños en el equipo.	<ul style="list-style-type: none">• Retire las perforaciones de los orificios de ventilación para proporcionar una refrigeración adecuada a los equipos electrónicos.	<ul style="list-style-type: none">• NO almacene equipos electrónicos en estanterías cerradas o sin ventilación.	Un flujo de aire restringido o insuficiente puede provocar un sobrecalentamiento y daños en los equipos electrónicos.

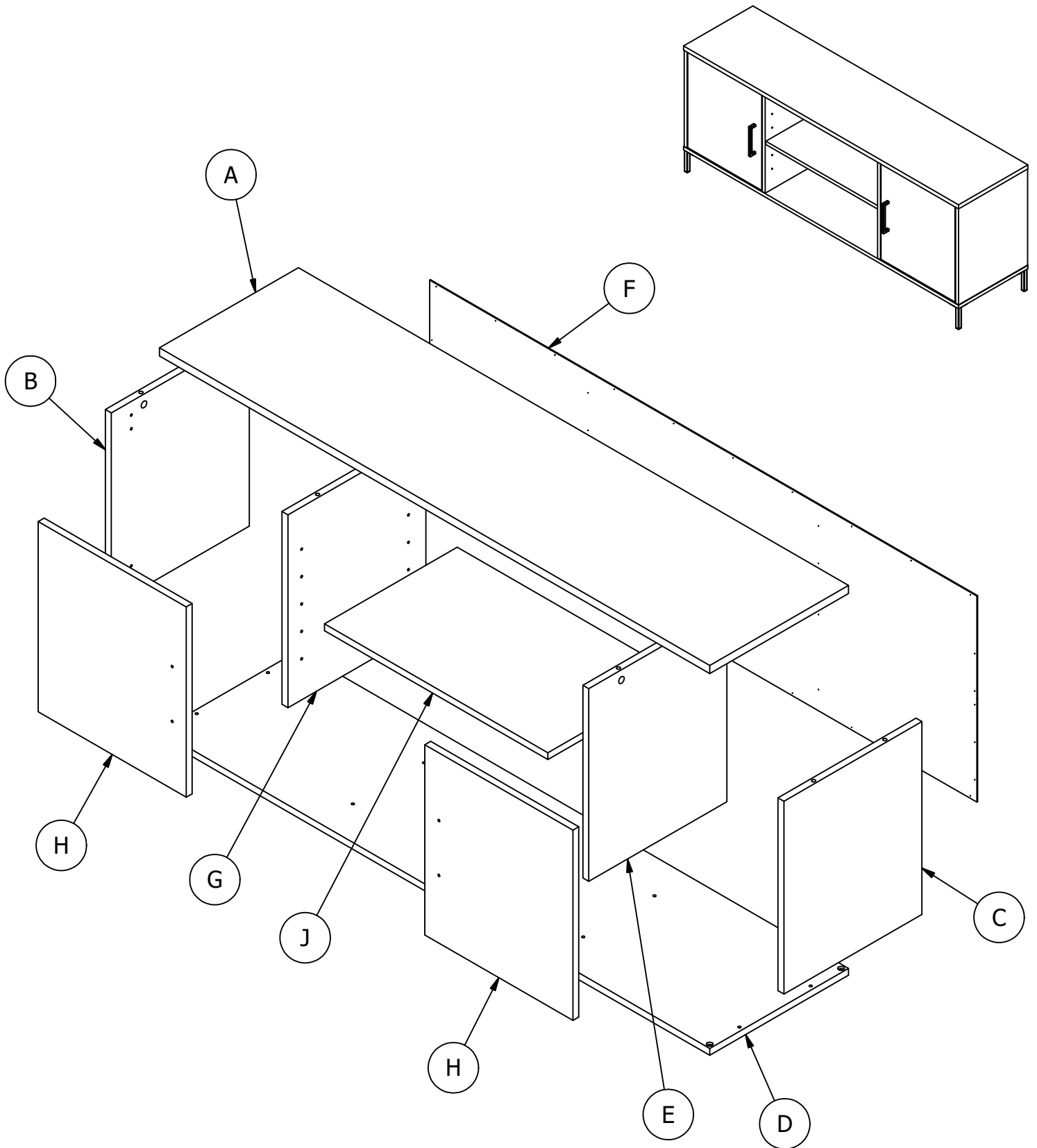
IMPORTANT SAFETY INFORMATION



PLEASE READ WARNINGS

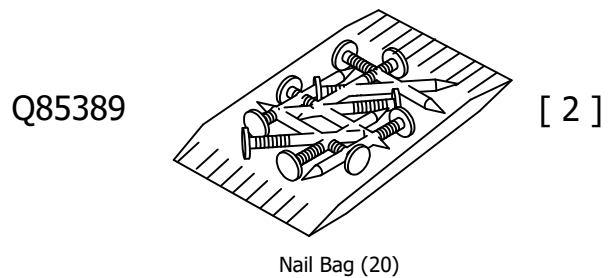
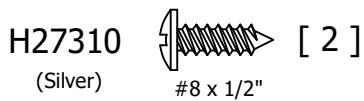
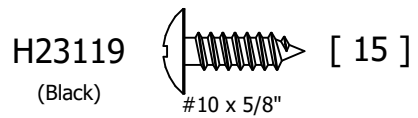
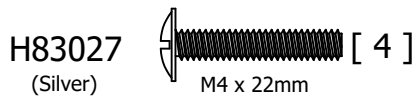
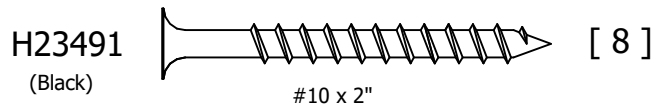
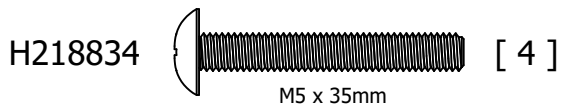
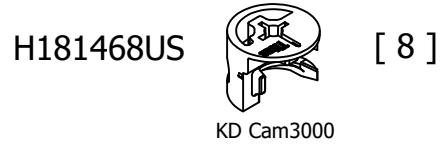
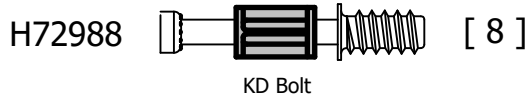
Improper use can cause safety hazards, or damage to your furniture and household items.

Avertissement	À faire	À ne pas faire	Pourquoi c'est important
Peut entraîner des blessures graves ou la mort.	<ul style="list-style-type: none">• Seuls les téléviseurs à écran plat conviennent à ce produit.• Assembler en suivant toutes les instructions et en utilisant toutes les pièces et la quincaillerie incluses.• Pour une utilisation avec des téléviseurs pesant 70 lb (31,7 kg) ou moins et ayant une diagonale d'écran de 70 po (1778 mm) ou moins• Installer tous les clous et/ou toutes les vis.• Assurez-vous que le meuble soit stable par lui-même.• Placer les objets les plus lourds sur les tablettes ou dans les tiroirs du bas.• Toujours installer le matériel de fixation mural inclus.• Retirer les objets qui pourraient inciter les enfants à grimper comme les jouets et les télécommandes des tablettes supérieures et du dessus du meuble.	<ul style="list-style-type: none">• Ne pas déplacer le meuble lorsqu'il est chargé.• Ne pas dépasser les limites de poids maximales indiquées dans les instructions.• Ne pas laisser les enfants se tenir sur les meubles, y grimper ou s'y suspendre.	Un assemblage, une utilisation ou un chargement incorrects peuvent entraîner l'instabilité, le basculement ou l'effondrement du produit.
Peut endommager l'équipement.	<ul style="list-style-type: none">• Retirez les découpes des trous de ventilation afin d'assurer le refroidissement des appareils électroniques.	<ul style="list-style-type: none">• NE PAS placer d'appareils électroniques sur des étagères fermées ou non ventilées.	Une circulation d'air restreinte ou insuffisante peut entraîner une surchauffe de l'équipement électronique et l'endommager.



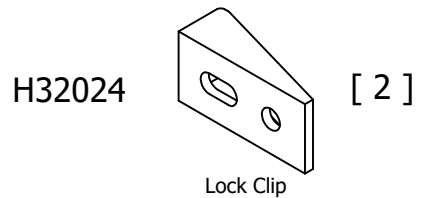
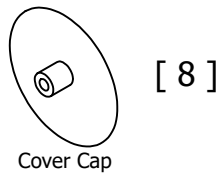
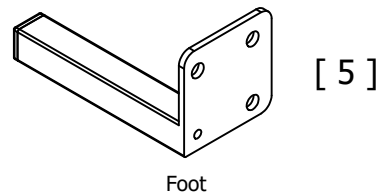
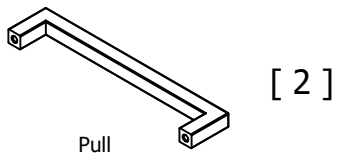
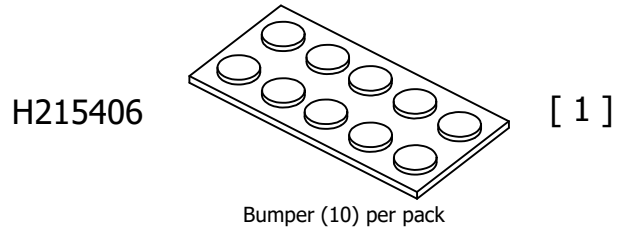
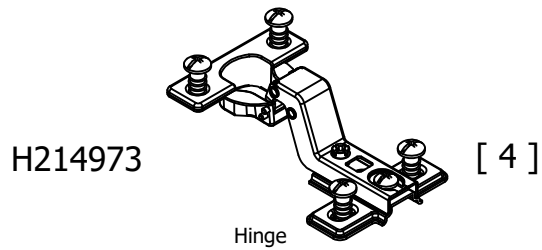
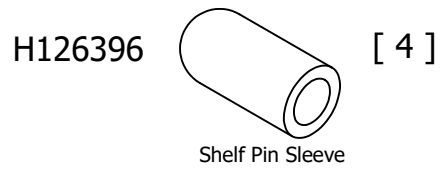
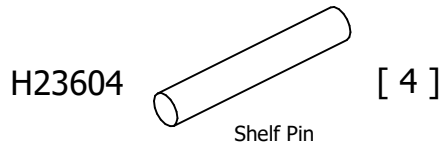
Have an assembly question or need a replacement part? Just call
1-800-950-4782, we are here to help.

Fasteners are shown actual size.



Have an assembly question or need a replacement part? Just call **1-800-950-4782**, we are here to help.

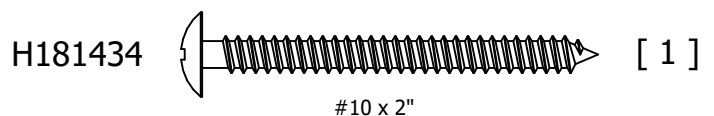
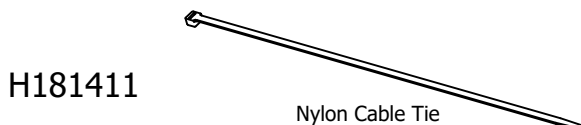
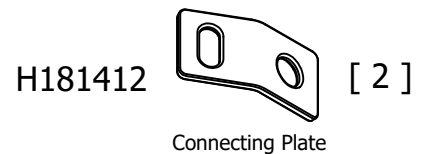
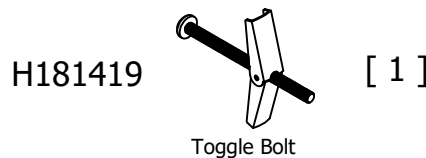
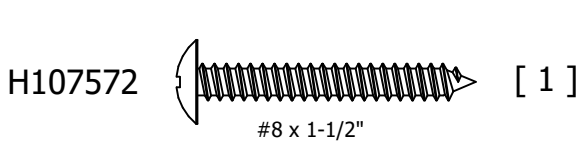
Hardware not to scale.



TIPOVER RESTRAINT HARDWARE

SUGERENCIA SOBRE HARDWARE DE RETENCIÓN

MATÉRIEL DE RETENUE SUR LE SUPPORT




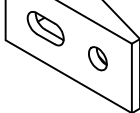
Have an assembly question or need a replacement part? Just call
1-800-950-4782, we are here to help.


STEP 1


Prepare Panel

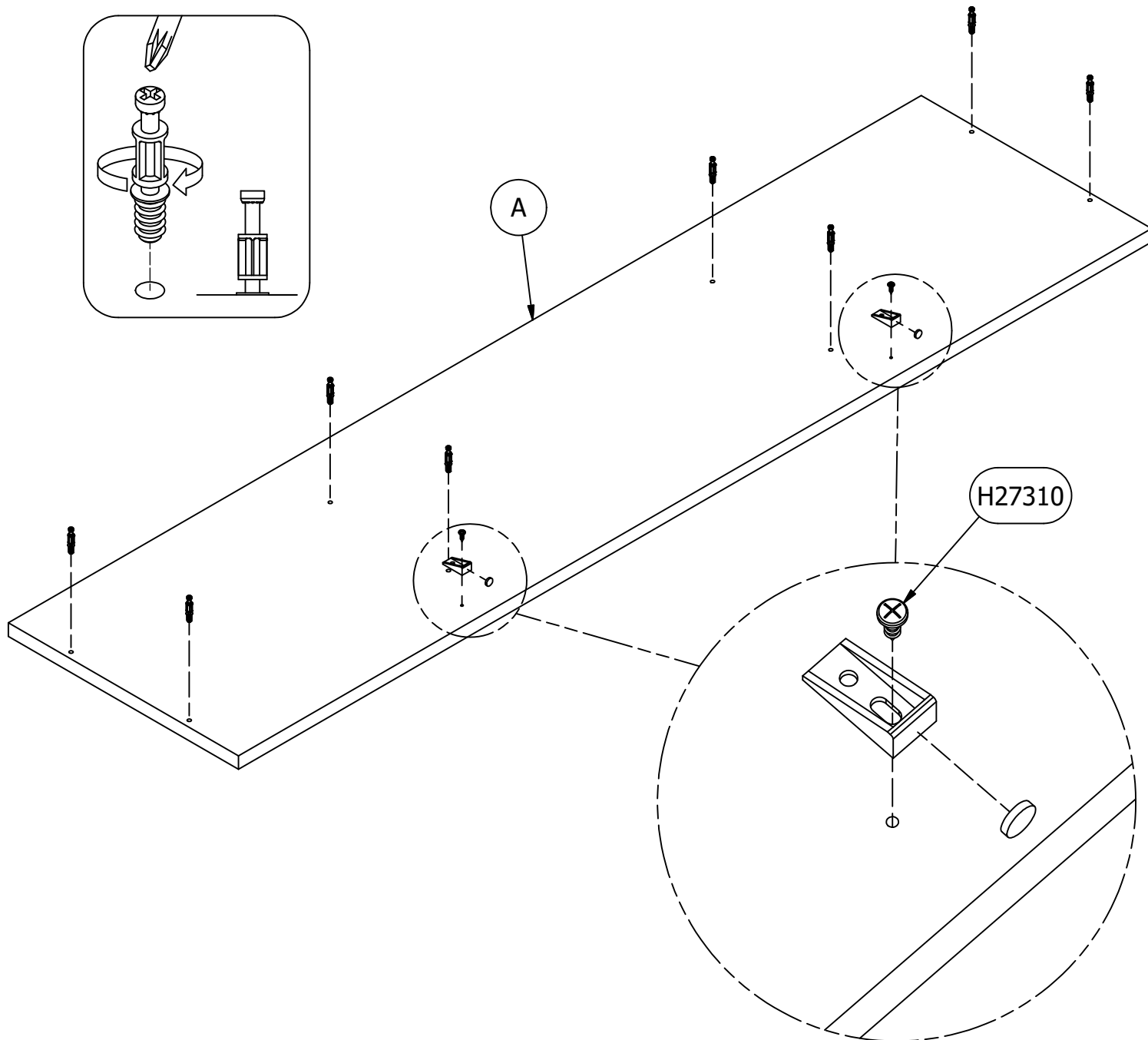
A220100

H72988  [8]
KD Bolt

H32024  [2]
Lock Clip

H215406  [2]
Bumper

H27310  [2]
(Silver) #8 x 1/2"



Have an assembly question or need a replacement part? Just call
1-800-950-4782, we are here to help.

STEP 2

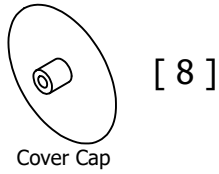
Assemble Panels

A220100

Scan QR Code to Watch Video on:



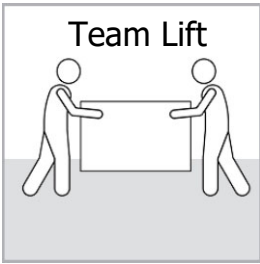
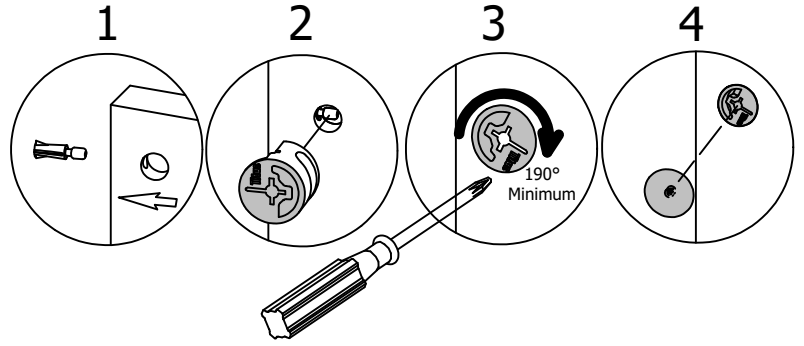
How to Tighten KD Cams



H181468US

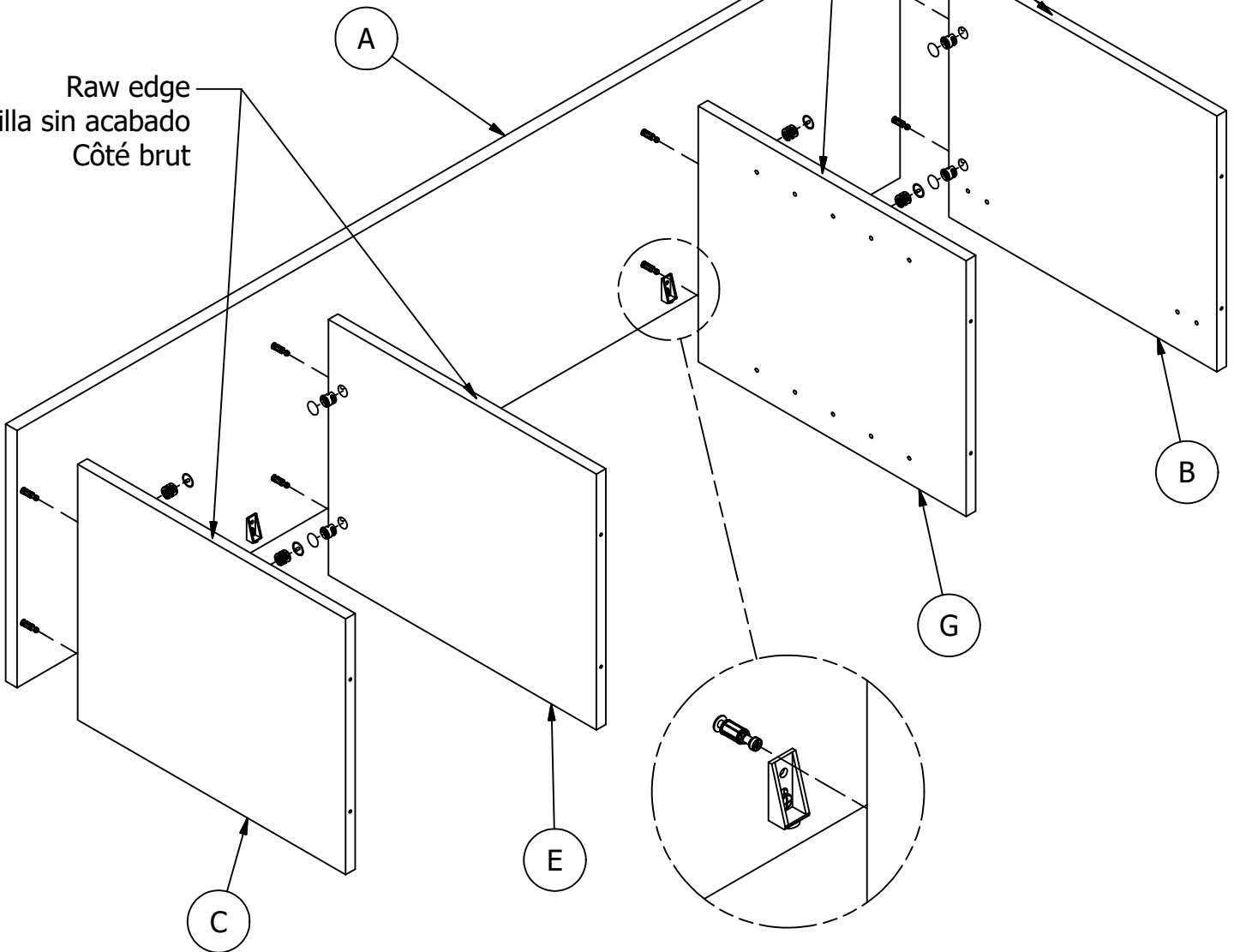


[8]



Raw edge
Orilla sin acabado
Côté brut

Raw edge
Orilla sin acabado
Côté brut



Have an assembly question or need a replacement part? Just call **1-800-950-4782**, we are here to help.

STEP 3

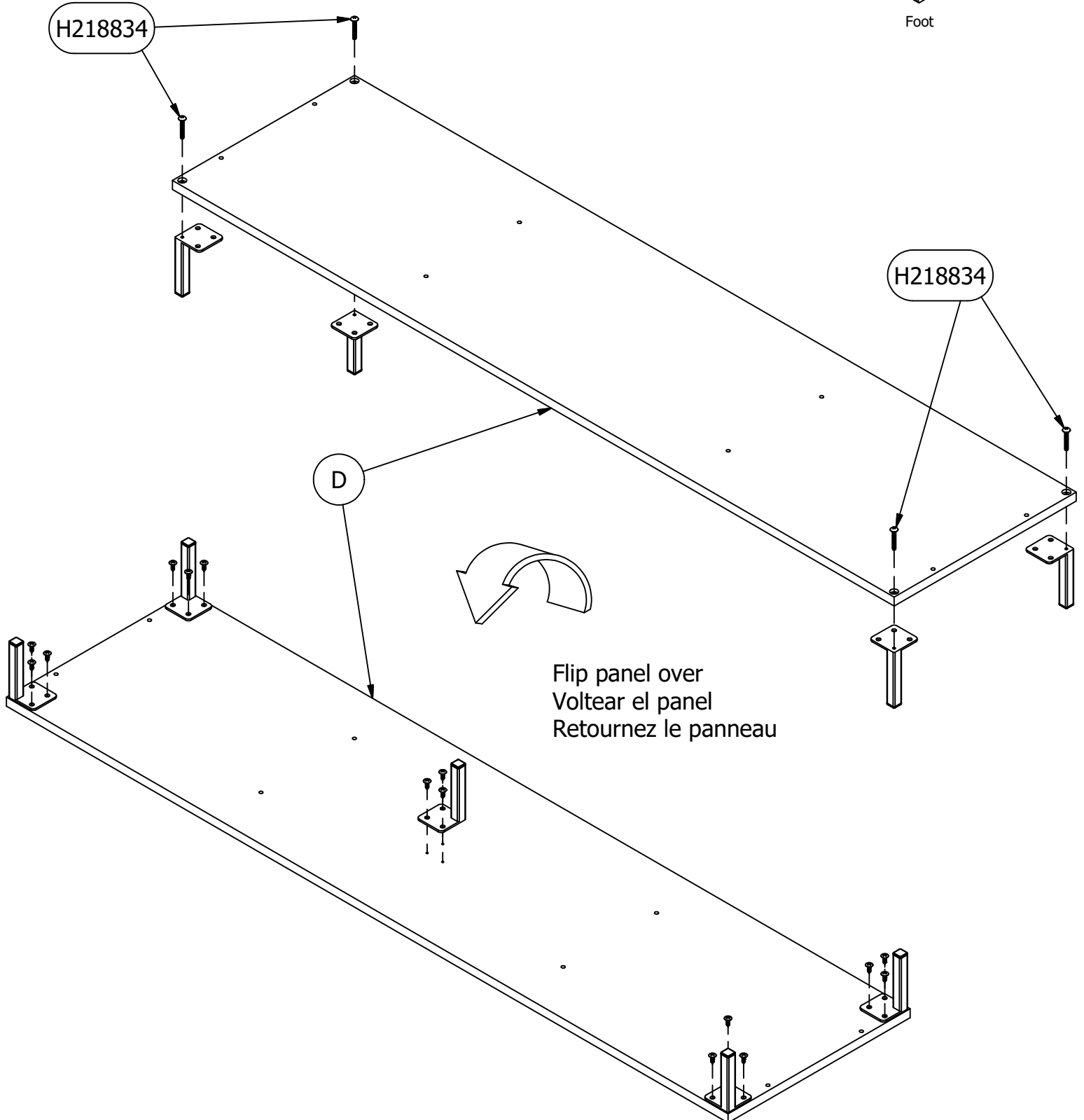
Prepare Panel

A220100

H218834 [4]
M5 x 35mm

H23119 [15]
(Black) #10 x 5/8"

[5]
Foot

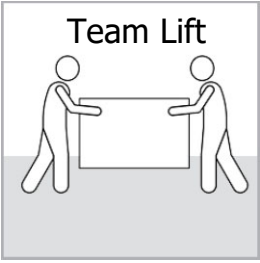


Have an assembly question or need a replacement part? Just call
1-800-950-4782, we are here to help.

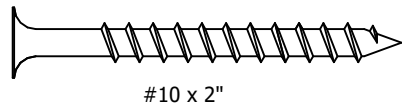
STEP 4

Assemble Panels

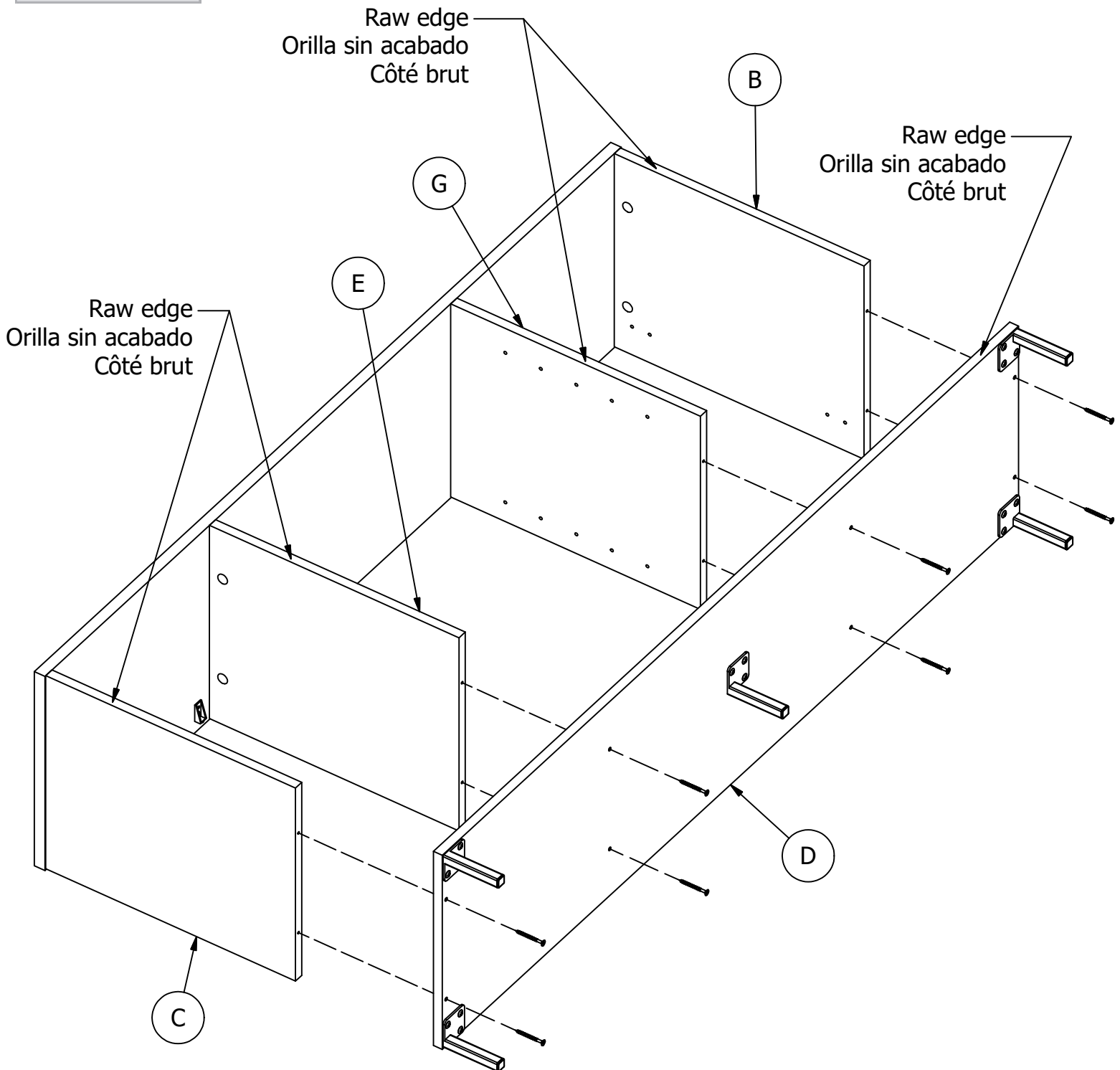
A220100



H23491
(Black)



[8]



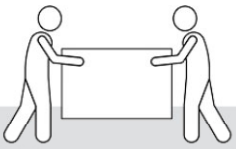
Have an assembly question or need a replacement part? Just call
1-800-950-4782, we are here to help.

STEP 5

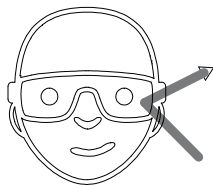
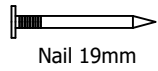
Attach Panel

A220100

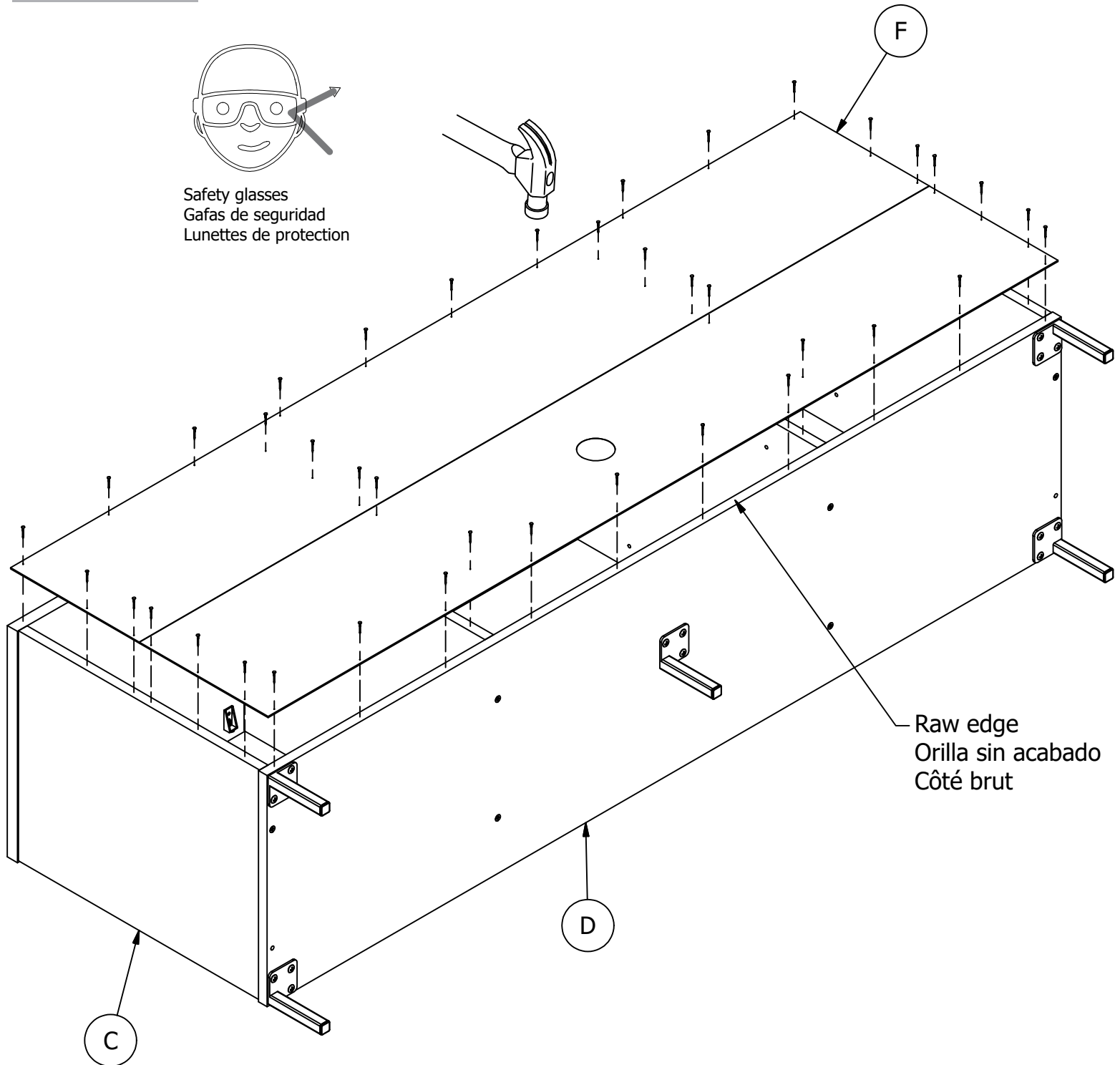
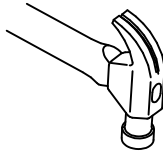
Team Lift



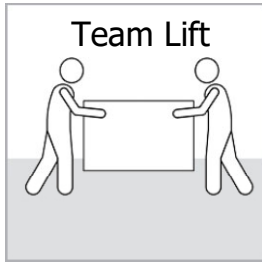
H34174 [40]
Nail 19mm



Safety glasses
Gafas de seguridad
Lunettes de protection



Have an assembly question or need a replacement part? Just call
1-800-950-4782, we are here to help.



Secure unit to the wall with a tip-over restraint.

Unidad de seguro a la pared con un sistema de retención de un vuelco.

Fixer l'unité au mur avec un dispositif de retenue renversement.

1. Place unit in desired location.
2. Locate wall stud nearest unit center. **FIG A**
3. On wall, mark center of stud location 1" below top of unit. **FIG A**
4. If a wall stud cannot be located mark hollow wall at unit center. **FIG A**
5. On back of unit, mark corresponding location 3/8" below top of unit. **FIG B**

1. Coloque la unidad en el lugar deseado.
2. Localice pie derecho de pared centro de unidad más próxima.
3. En la pared del, marque el centro de la ubicación del montante 1 "abajo la parte superior de la unidad.
4. Si un poste de la pared no se puede localizar marcar pared hueca en el centro de la unidad.
5. En el dorso de la unidad, marque la ubicación 3/8 correspondiente abajo la parte superior de la unidad.

1. Placez l'unité à l'endroit désiré.
2. Localiser centre d'unité la plus proche de la paroi Stud.
3. Sur le mur, centre de emplacement du montant 1 "ci-dessous dessus de l'appareil de la marque.
4. Si un montant de mur ne peut pas être situé marquer mur creux au centre de l'unité.
5. Le dos de l'appareil, marquer l'emplacement 3/8 correspondant ci-dessous dessus de l'appareil.

FIG A

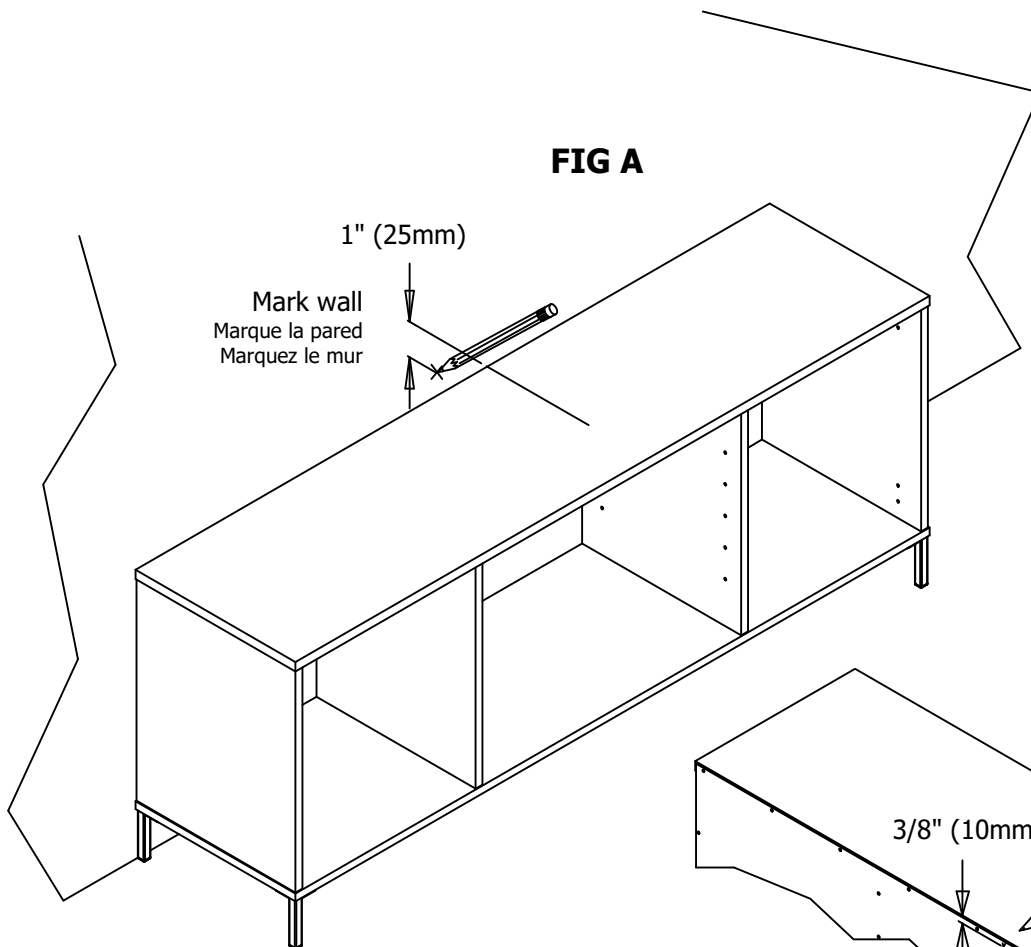


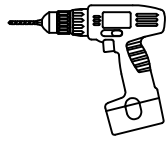
FIG B

3/8" (10mm)

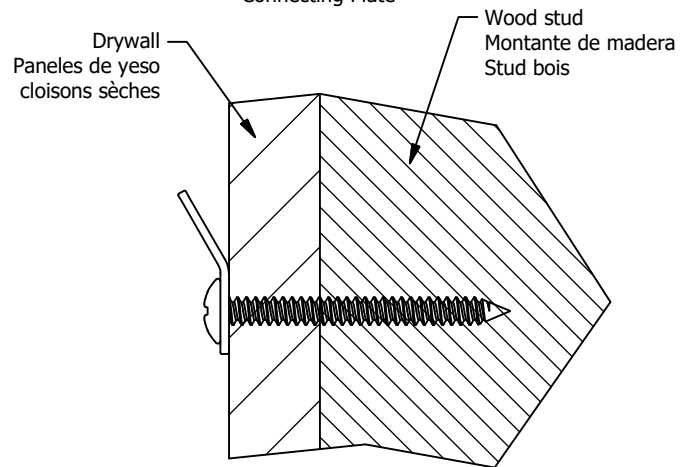
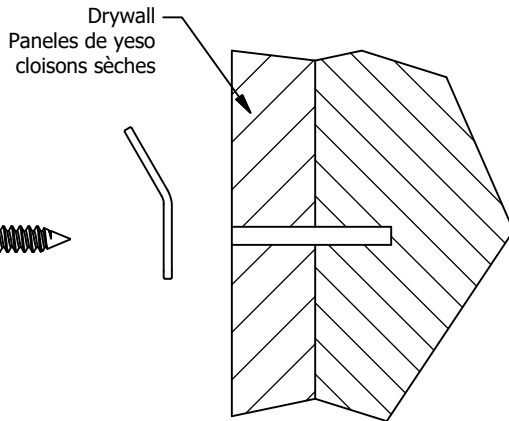
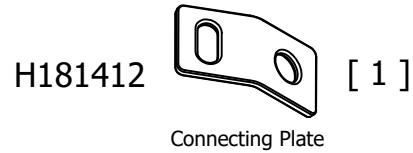
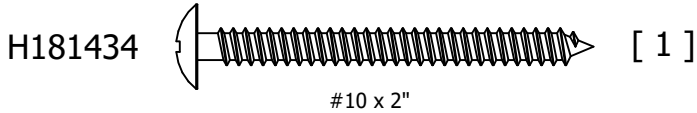
Mark back within 6" (150mm) of center.
Marcar de vuelta dentro de 6" (150mm) de centro
Mark dans les 6" (150mm) de centre.

Have an assembly question or need a replacement part? Just call
1-800-950-4782, we are here to help.

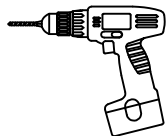
WALL STUD ATTACHMENT



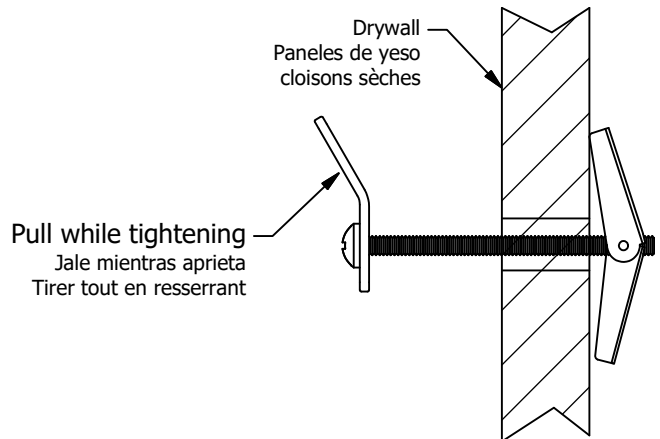
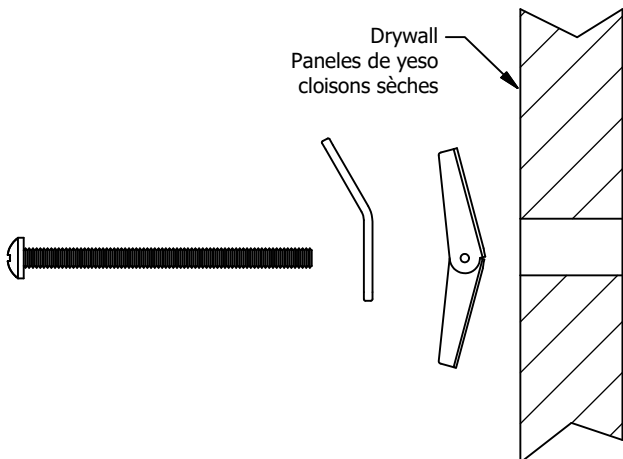
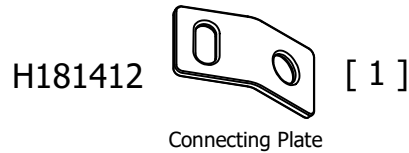
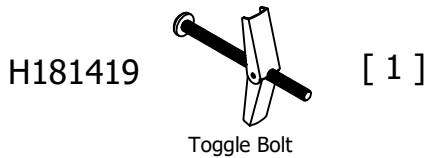
Drill 1/8" hole 2" deep at mark on wall.
 Taladro 1/8 "agujero 2" de profundidad en la marca en la pared.
 Percer 1/8 "trou de 2" de profondeur à la marque sur le mur.




HOLLOW WALL ATTACHMENT

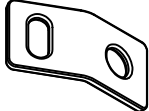


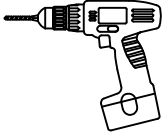
Drill 1/2" hole 1" deep at mark on wall.
 Taladro 1/2 "agujero 1" de profundidad en la marca en la pared.
 Percer 1/2 "trou de 1" de profondeur à la marque sur le mur.



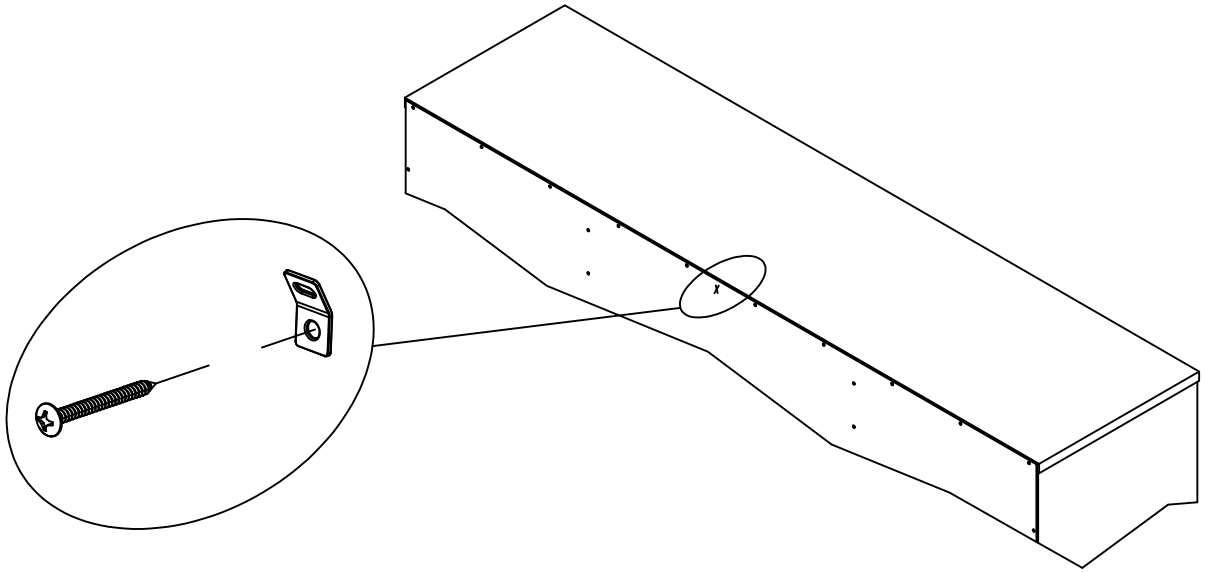
Have an assembly question or need a replacement part? Just call
1-800-950-4782, we are here to help.

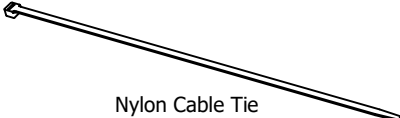
H107572  [1]
#8 x 1-1/2"

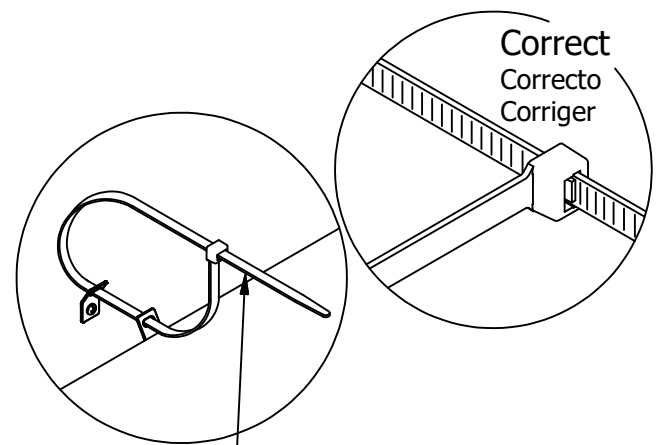
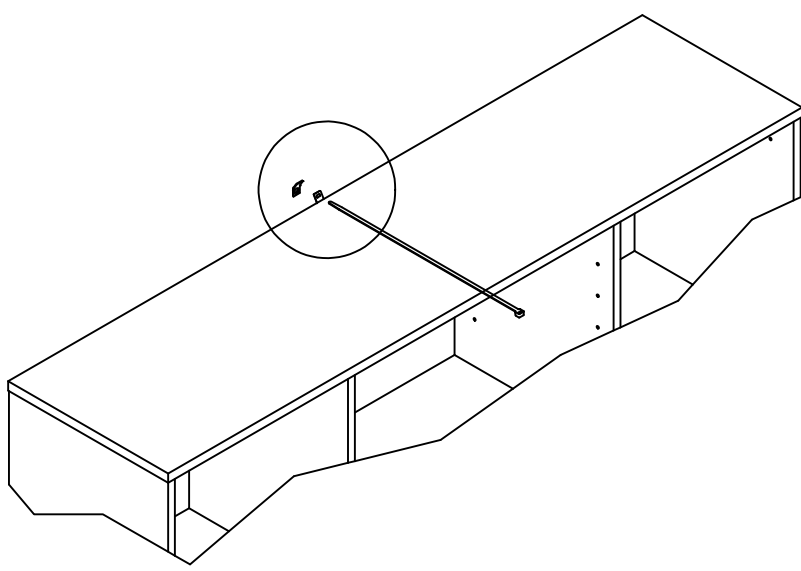
H181412  [1]
Connecting Plate



Drill 1/8" hole 1" deep at mark on unit.
Taladro 1/8 "agujero de 1" de profundidad en la marca de la unidad.
Perçer 1/8 "trou 1" de profondeur à la marque sur l'unité.



H181411  [1]
Nylon Cable Tie



Pull to verify lock
Tire para verificar cerradura
Tirez pour vérifier serrure

Use replacement cable tie with minimum breaking strength of 120lbs.
Utilice reemplazo empate Cable con resistencia a la rotura mínima de 120 libras.
Utilisez remplacement Attache de câble avec une force de rupture minimale de 120 lbs.

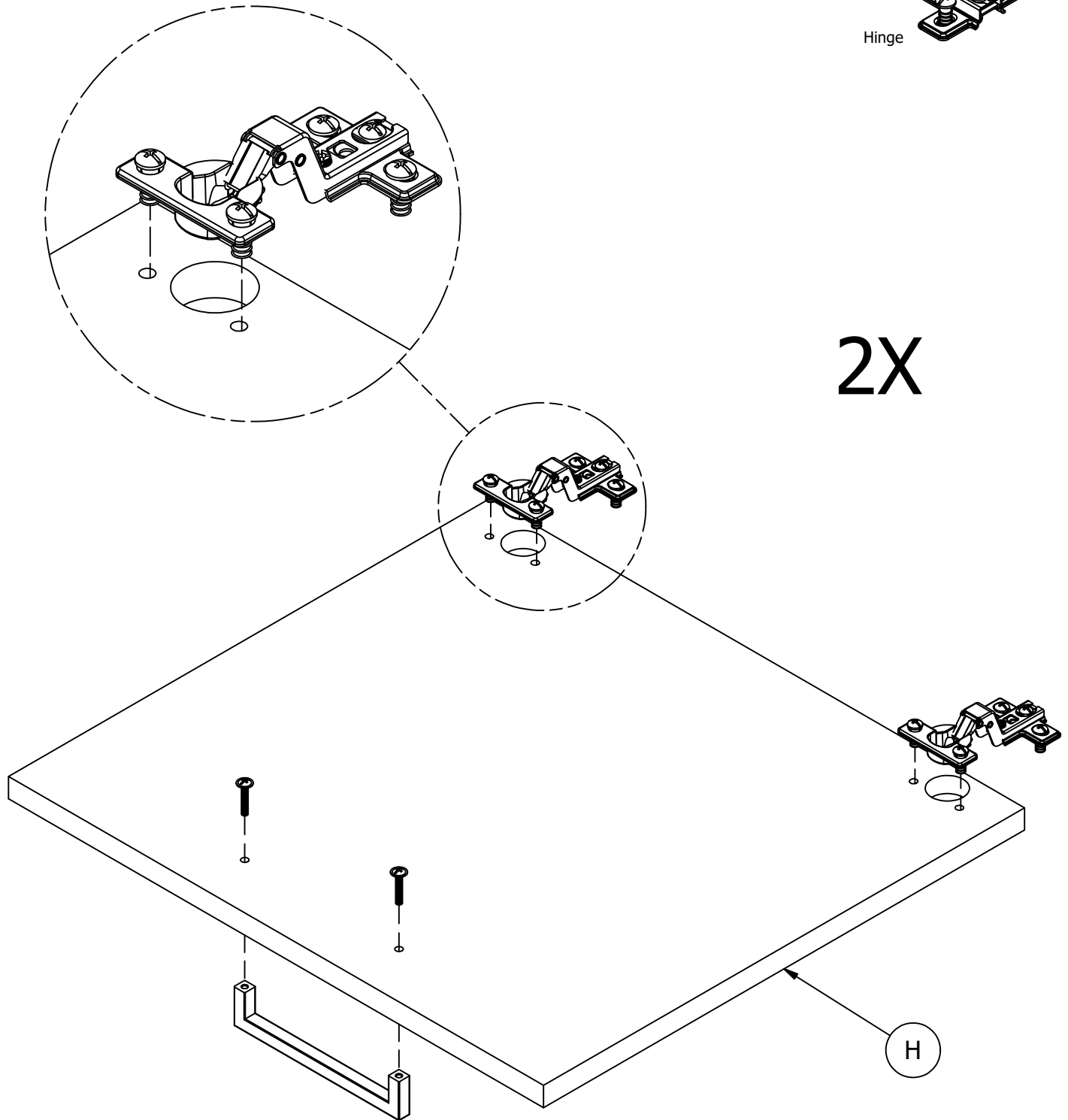
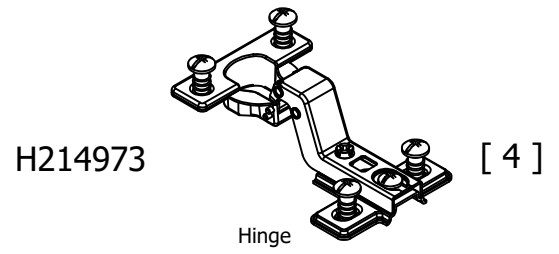
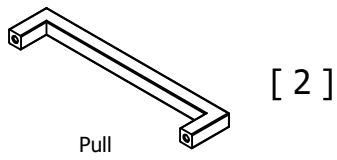
Have an assembly question or need a replacement part? Just call
1-800-950-4782, we are here to help.

STEP 9

Prepare Panels

A220100

H83027
(Silver) M4 x 22mm [4]

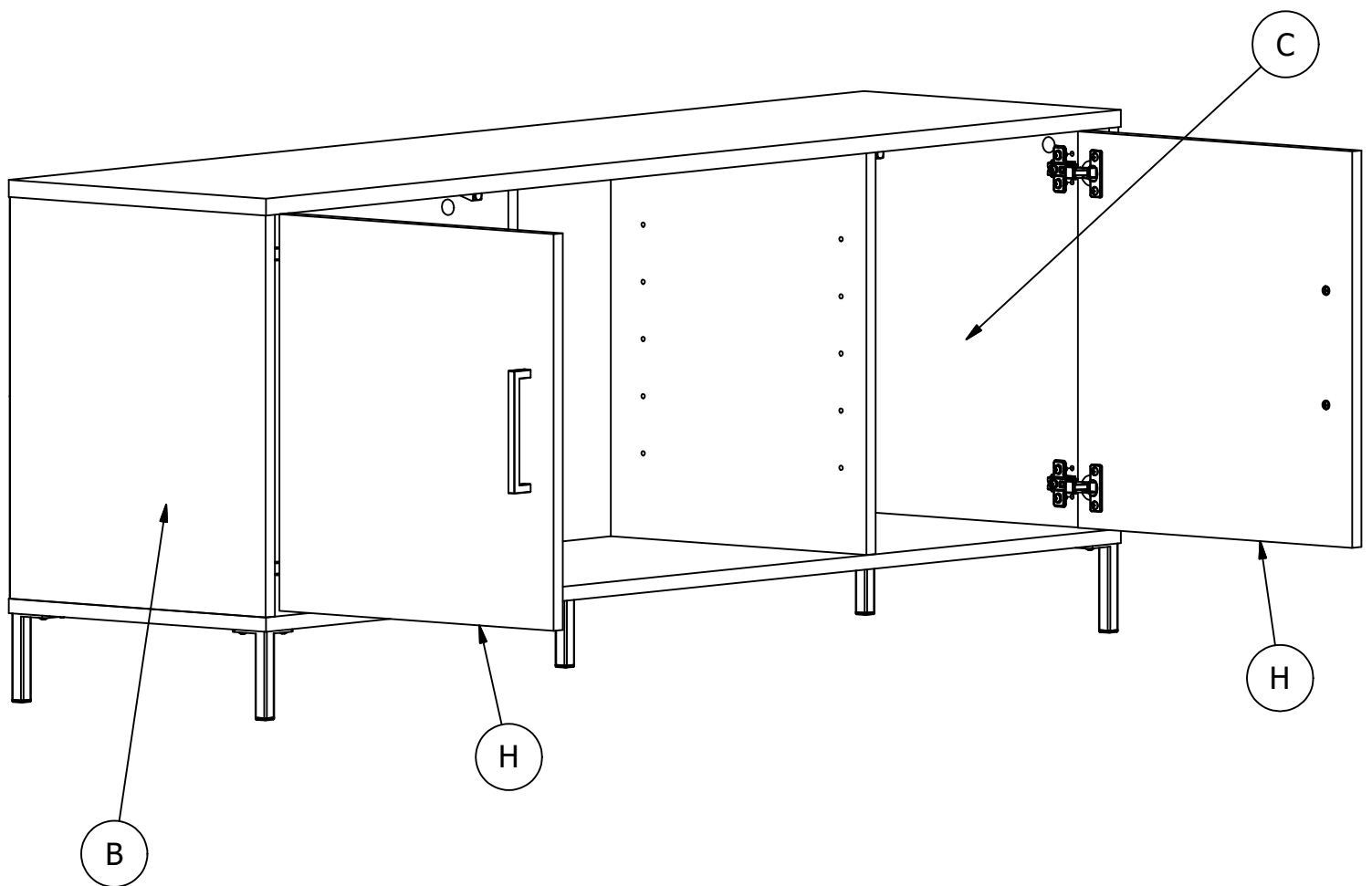
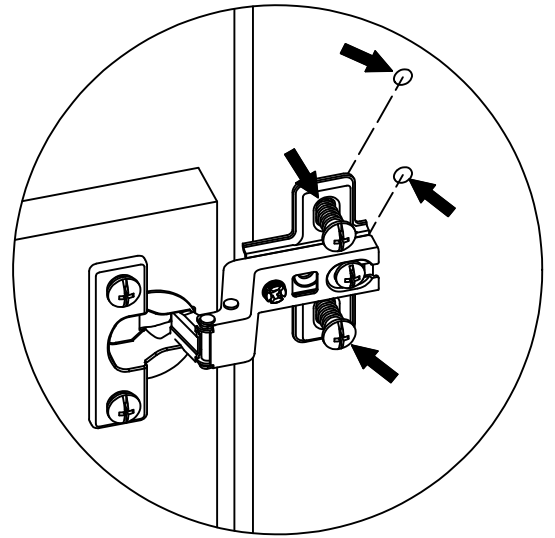
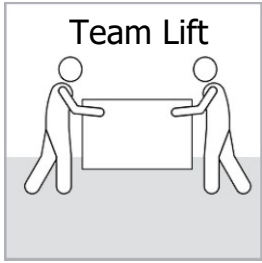


Have an assembly question or need a replacement part? Just call **1-800-950-4782**, we are here to help.

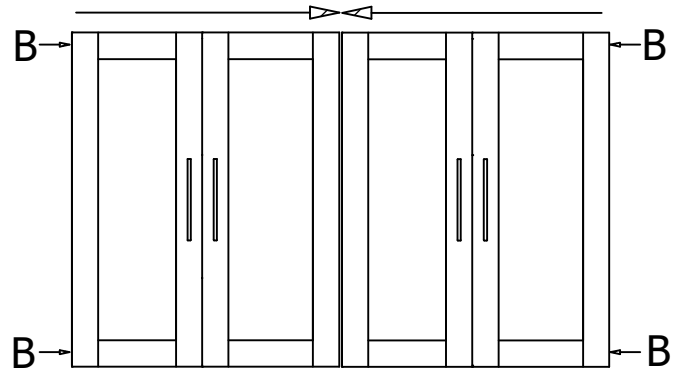
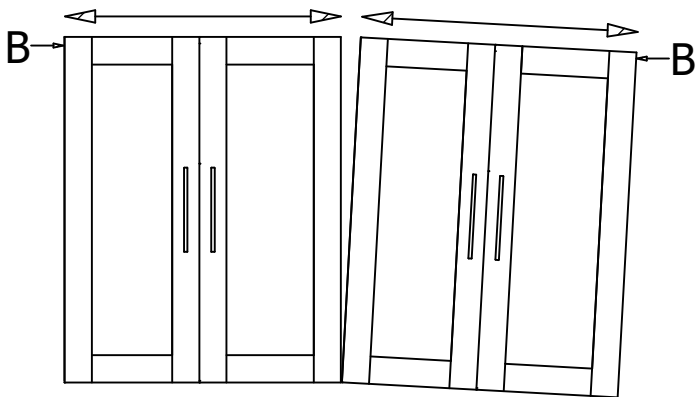
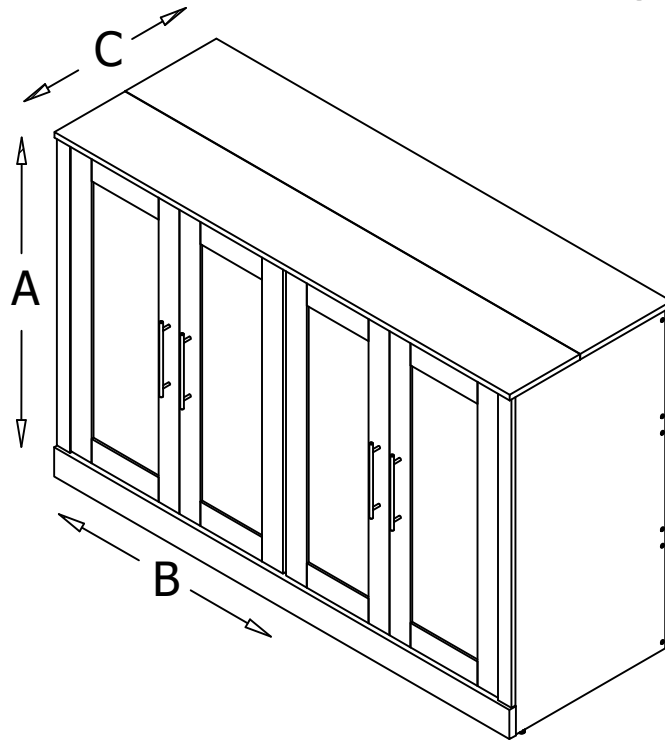
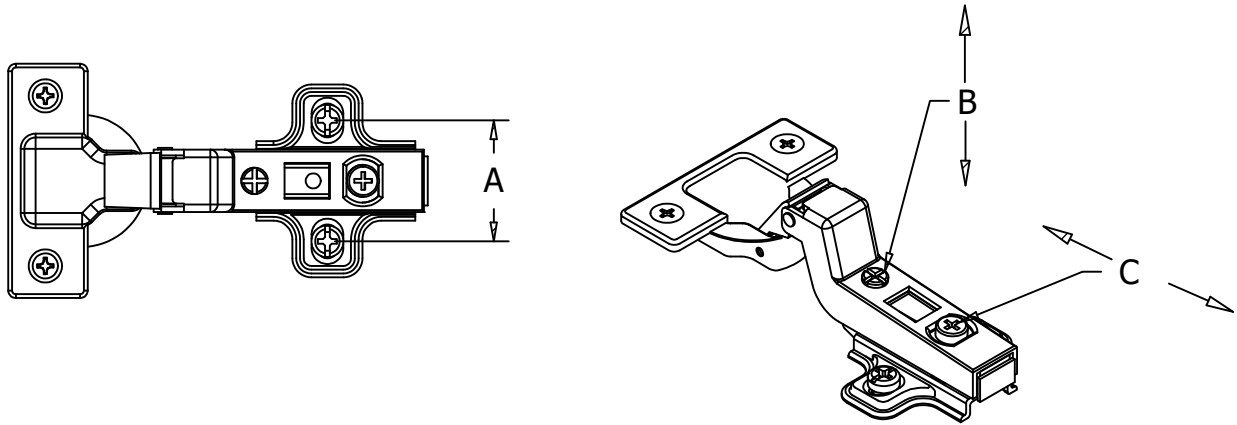
STEP 10

Install Panel

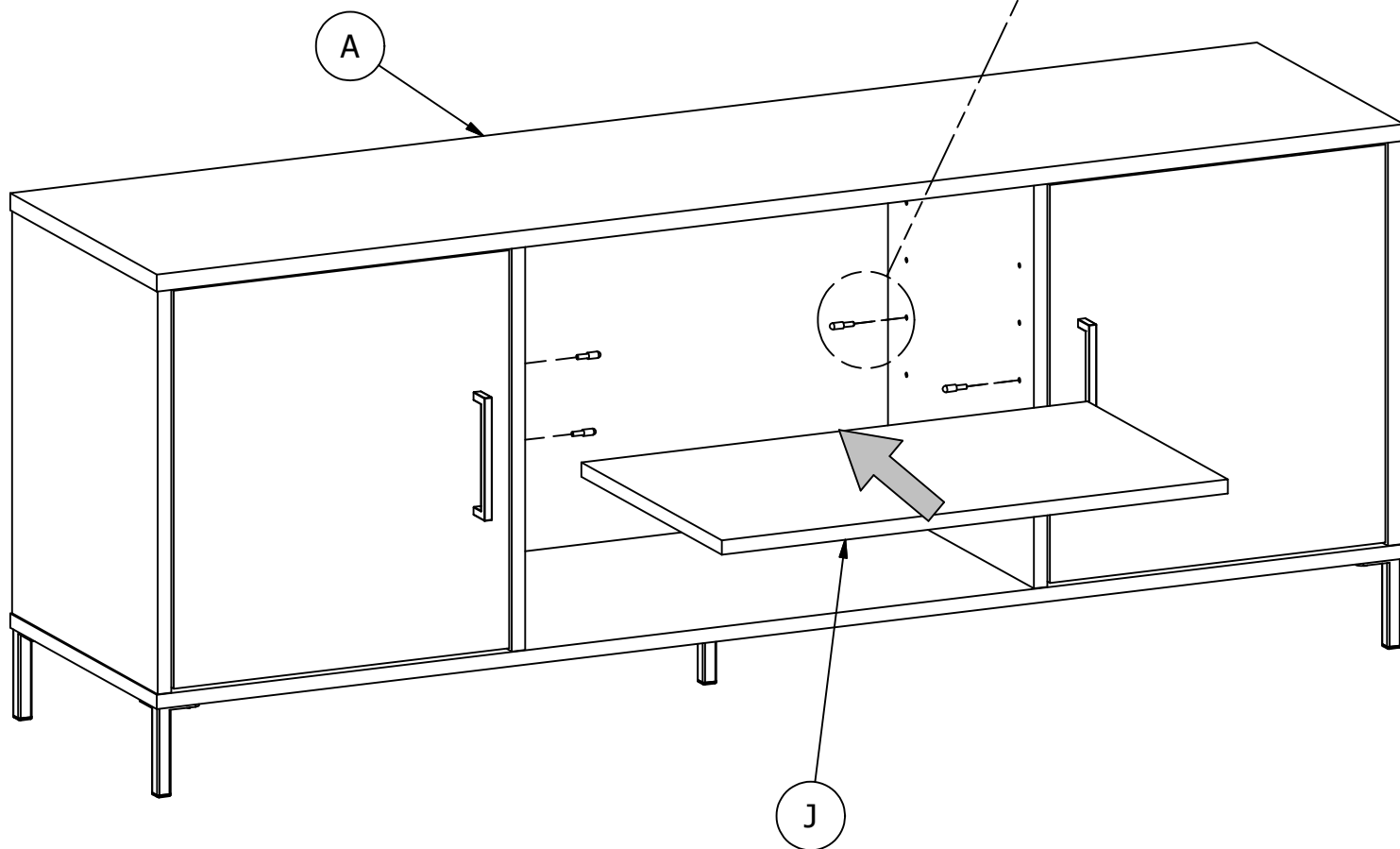
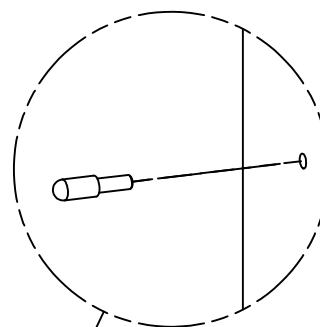
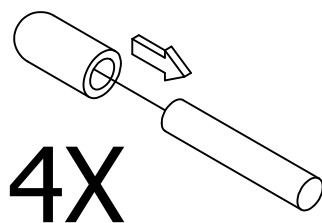
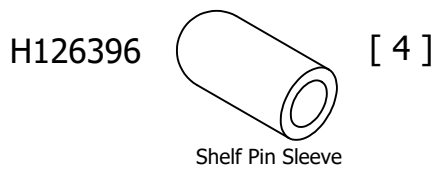
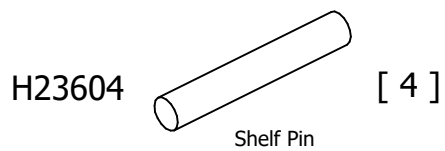
A220100



Have an assembly question or need a replacement part? Just call **1-800-950-4782**, we are here to help.



Have an assembly question or need a replacement part? Just call **1-800-950-4782**, we are here to help.

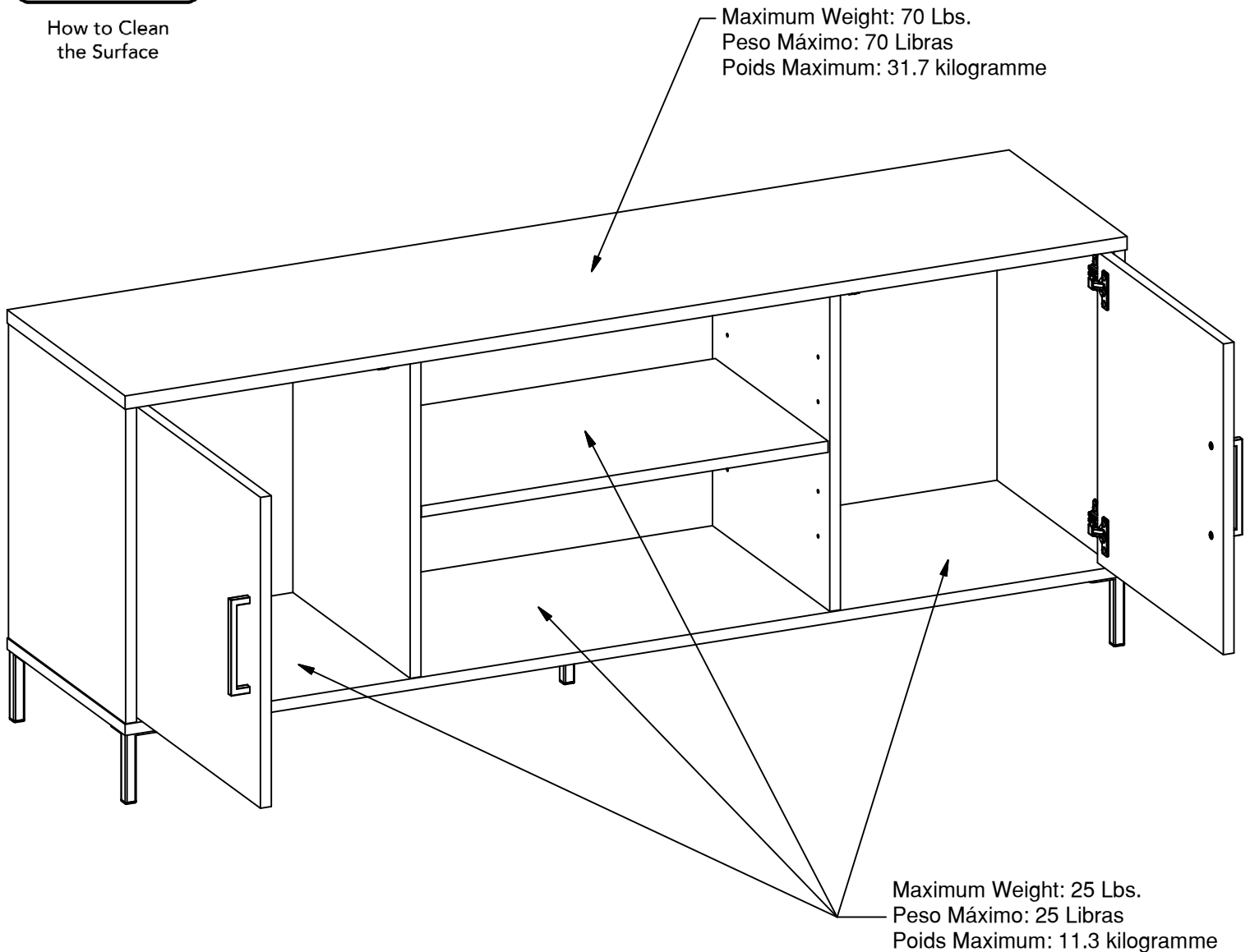


Scan QR Code to
Watch Video on:



How to Clean
the Surface

Gently clean surfaces with a damp sponge eraser.



Congratulations! You are all done. If
you have any questions or concerns,
please call.

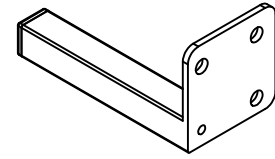
Have an assembly question or need a replacement part? Just call
1-800-950-4782, we are here to help.

PARTS LIST

A220100

ESV158NE		
LABEL CODE	QTY	PART NUMBER
A	1	W220042
B	1	W220079
C	1	W220080
D	1	W220083
E	1	W220082
F	1	W220084
G	1	W220081
H	2	W220085
J	1	W220086

Q217907



[5]

Foot

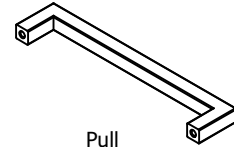
H216046



[8]

Cover Cap

H218668
Matte Black

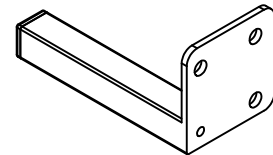


[2]

Pull

ESV158BL		
LABEL CODE	QTY	PART NUMBER
A	1	W220041
B	1	W220071
C	1	W220072
D	1	W220075
E	1	W220074
F	1	W220076
G	1	W220073
H	2	W220077
J	1	W220078

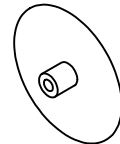
Q218672



[5]

Foot

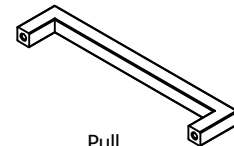
H73621



[8]

Cover Cap

H215205
Brass



[2]

Pull

Have an assembly question or need a replacement part? Just call
1-800-950-4782, we are here to help.