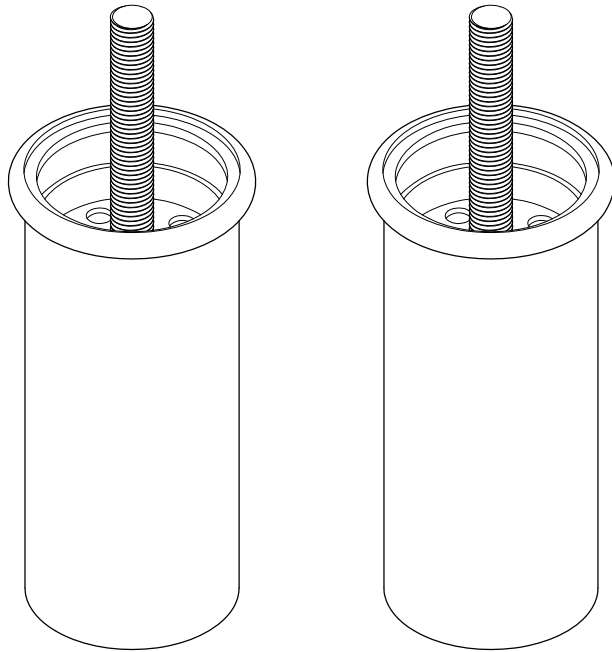


KINGSTON

KITCHEN & BATH

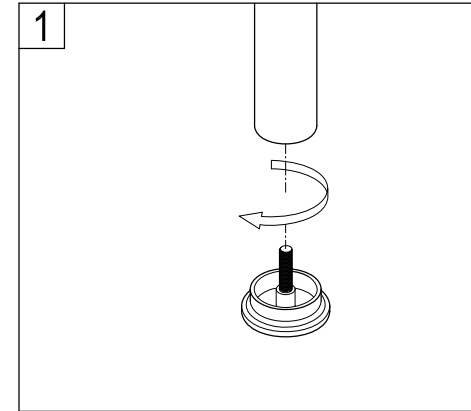
Console Sink Extension Legs Installation



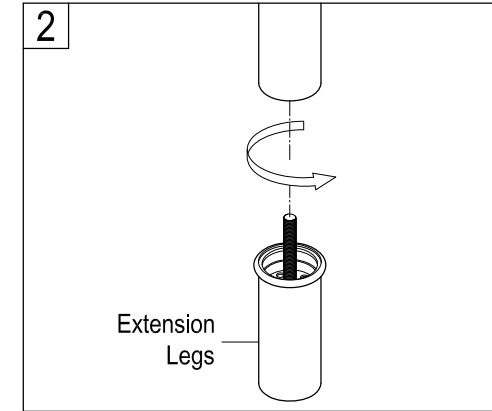
Before Installation :

1. The pair of extension legs is used for higher sink installation and needed to be connected under the original console legs (height 30-1/2") prior to the installation position set-up.
2. Extension legs 3.5" is for 34" height console legs.
Extension legs 5.5" is for 36" height console legs.

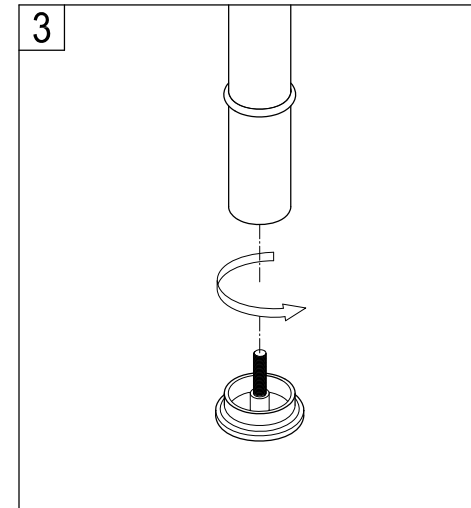
Installation Step:



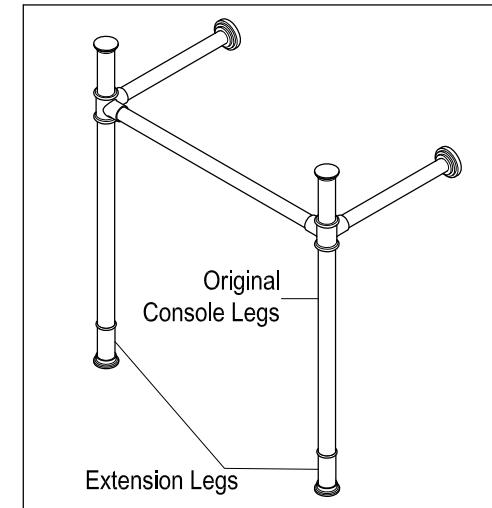
1. Remove the floor flanges from the original legs by turning counter-clockwise.



2. Thread the extension legs onto the original legs by turning clockwise. Mark sure the extension legs are completely and tightly connected.



3. Thread the floor flanges onto the extension legs.
The floor flanges are designed to be slightly adjustable for overall height.



www.kingstonbrass.com
TOLL-FREE CUSTOMER SERVICE: 1-877-2-KBRASS
TECHNICAL SUPPORT E-mail: service@kingstonbrass.com
12775 Reservoir Street, Chino, CA 91710