

JUNO®

Project: _____

Fixture Type: _____

Location: _____

Contact/Phone: _____

6" IC 900 LUMEN LED DOWNLIGHT REMODEL

IC22RLED (G4 09LM) RECESSED HOUSING


OPEN TRIMS

PRODUCT DESCRIPTION

Dedicated LED, Air-Loc® remodel with integral light engine • Shallow housing allows for fit in 2 x 6 construction • IC remodel housing for remodel application where back side of ceiling is not accessible • Installs through an opening in the ceiling from below • Secured in place by factory installed remodel springs • Can be completely covered with insulation • When used with supplied ALG kit, stops infiltration and exfiltration of air, reducing heating and air cooling costs • LED housing is designed to provide 50,000 hours of life and is compatible with many standard Juno trims

- 5 year limited warranty on LED components.

ENVIRONMENTALLY FRIENDLY, ENERGY EFFICIENT

- No harmful ultraviolet or infrared wavelengths
- No lead or mercury
- Comparable light output to 75W PAR30 incandescent

PRODUCT SPECIFICATIONS

LED Light Engine LED array integrated thermally conductive housing provides uninterrupted heat transfer to ensure long life of the LED • Replaceable light engine mounts directly to housing and incorporates the latest generation, high lumen output LED array • LEDs are binned within a 3-step MacAdam Ellipse exceeding ENERGY STAR® requirements for superior fixture to fixture color uniformity • 2700K, 3000K, 3500K, or 4000K color temperatures available • 90 CRI minimum.

Optical System Computer-optimized reflector design with high reflectance white finish coupled with a high transmission diffusing lens conceals the LEDs and produces uniform aperture luminance • Deep regression of lens produces a low glare, efficient system that produces 900 lumens typical with select trims • Wide flood (>70°) distribution shipped as standard with optional optic accessories available and sold separately.

Aesthetic Trim Selections Compatible with wide selection of existing Juno trims

- Shadow free, knife edge design blends seamlessly into ceiling.

LED Driver Choice of dedicated 120 volt (120) driver or universal voltage (MVOLT) drivers that accommodate input voltages from 120-277 volts AC at 50/60Hz

- Power factor > 0.9 at 120V input • 120 volt only driver is dimmable with the use of most incandescent, magnetic low voltage and electronic low voltage wall box dimmers • Universal voltage drivers are dimmable with the use of most 0-10V wall box dimmers • For a list of compatible dimmers, see [JUNOICLED-DIM](#) • Mounted between the j-box and housing for easy access and cool operation.

Life Rated for 50,000 hours at 70% lumen maintenance.

Labels ENERGY STAR® Certified when used with select baffle and cone trims

- Certified to the high efficacy requirements of California T24 JA8-2016 with select trims • UL listed for U.S. and Canada damp locations • Union made • UL and cUL.

Testing All reports are based on published industry procedures; field performance may differ from laboratory performance.

Specifications subject to change without notice.

HOUSING FEATURES

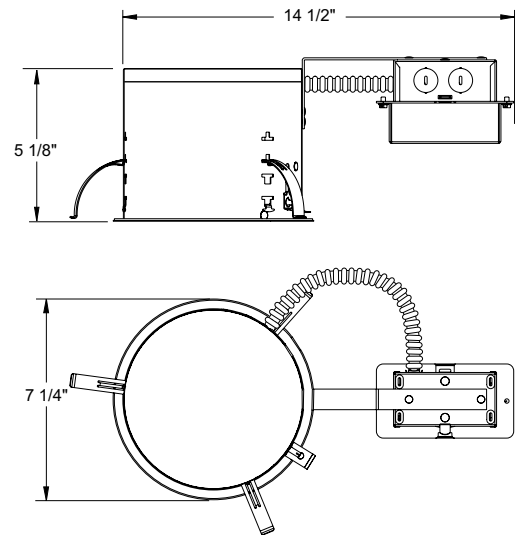
Housing Designed for use in IC (insulated ceiling) or non-IC construction

- Aluminum housing sealed for Air-Loc® compliance when used with ALG kit
- Remodel springs accommodate up to 17/8" ceiling thickness.

Junction Box Pre-wired junction box provided with (5) 1/2" knockouts, (4) knockouts for 12/2 or 14/2 NM cable and ground wire • Knockouts equipped with pryout slots • Quick connect electrical connectors supplied as standard for fast, secure installation.



DIMENSIONS



6 3/4" CEILING CUTOUT

6" IC 900 LUMEN LED DOWNLIGHT REMODEL

IC22RLED (G4 09LM) RECESSED HOUSING OPEN TRIMS

ELECTRICAL DATA

Dedicated 120V Only Driver Option (120 FRPC)

120V	
Input Power	11.5W (+/-5%)
Input Current	0.10A
Frequency	50/60Hz
EMI/RFI	FCC Title 47 CFR, Part 15, Class B (residential)
Minimum starting temp	-25°C

ELECTRICAL DATA

Universal Voltage

	MVOLT EZ10 and EZ1		MVOLT ZT10 and ZT1	
	120V	277V	120V	277V
Input Power	10.8W (+/-5%)	11.8W (+/-5%)	10.8W (+/-5%)	11.8W (+/-5%)
Input Current	0.09A	0.05A	0.09A	0.05A
Frequency	50/60Hz	50/60Hz	50/60Hz	50/60Hz
EMI/RFI	FCC Title 47 CFR, Part 15, Class B (residential)	FCC Title 47 CFR, Part 15, Class B (residential)	FCC Title 47 CFR, Part 15, Class B (residential)	FCC Title 47 CFR, Part 15, Class B (residential)
Minimum starting temp	-20°C	-20°C	-20°C	-20°C

ORDERING INFORMATION Housing and trim can be ordered together or separate, but will always ship separately.

Example: IC22RLED G4 09LM 27K 90CRI 120 FRPC

Series	Generation	Lumens	Color Temperature	CRI	Voltage/Driver
IC22RLED 6" LED Remodel Downlight	G4 Generation 4	09LM 900 Nominal Lumens	27K 2700K	90CRI 90+ CRI	120 FRPC 120V Forward/Reverse Phase Cut, 5% dim
			30K 3000K		MVOLT ZT10 Multi-Volt (120-277), 0-10V, 10% dim
			35K 3500K		MVOLT ZT1 Multi-Volt (120-277), 0-10V, 1% dim
			40K 4000K		MVOLT EZ10 Multi-Volt (120-277), eidoLED 0-10V, 10% dim
					MVOLT EZ1 Multi-Volt (120-277), eidoLED 0-10V, 1% dim



A+ Capable options indicated by this color background

Trim/Description

	24 BABZ ^{1,3} Tapered Black Baffle, Classic Aged Bronze Trim Ring		9024 WWH White Octagonal w/ White Baffle
	24 BBL ^{1,3} Tapered Black Baffle, Black Trim Ring		9324 SC Luminous Disk (Frosted)
	24 BSC ^{1,3} Tapered Black Baffle, Satin Chrome Trim Ring		9524 SC Chrome Band
	24 BWH ^{1,3} Tapered Black Baffle, White Trim Ring		9702 Luminous Collar (Frosted)
	24 WWH ² Tapered White Baffle, White Trim Ring		
	27 BWH ^{1,5} Tapered Black Cone, White Trim Ring		
	27 CWH ⁴ Tapered Clear Alzak® Cone, White Trim Ring		
	27 GWH ⁴ Tapered Gold Cone, White Trim Ring		
	27 HZWH ⁴ Tapered Haze Cone, White Trim Ring		
	27 PTSC ² Tapered Pewter Cone, Satin Chrome Trim Ring		
	27 WHZABZ ⁴ Tapered Wheat Haze Cone, Classic Aged Bronze Trim Ring		
	27 WHZWH ⁴ Tapered Wheat Haze Cone, White Trim Ring		
	27 WWH ² Tapered White Cone, White Trim Ring		

Trim Size: 24, 27, 9324, 9524 - 7^{3/4}" O.D.; 9702 - 7^{3/4}" O.D.; 9024 - 8" O.D.

Alzak is a registered trademark of Alcoa Corp.

Note: In Canada when insulation is present, Type IC fixtures must be used.

¹ Not ENERGY STAR® Certified

² Multi-Volt: T24 @ 35K, 40K only

³ 120V: T24 @ 30K, 35K, 40K only

⁴ Multi-Volt: T24 @ 30K, 35K, 40K only

⁵ 120V only: T24 certified

Accessories

Catalog Number	Description
LEDOPTICG3 MFL	Medium Flood Optic (50°)
LEDOPTICG3 NFL	Narrow Flood Optic (37°)
LEDOPTICG3 SP	Spot Optic (10°)

To order, specify catalog number.

Catalog Number	Description
TR6 ABZ	6" Trim Ring - Classic Aged Bronze
TR6 BL	6" Trim Ring - Black
TR6 SC	6" Trim Ring - Satin Chrome
TR6 WH	6" Trim Ring - White

To order, specify catalog number.

*TR6 available for 24 and 27 trim series only

6" IC 900 LUMEN LED DOWNLIGHT REMODEL

IC22RLED (G4 09LM) RECESSED HOUSING
OPEN TRIMS

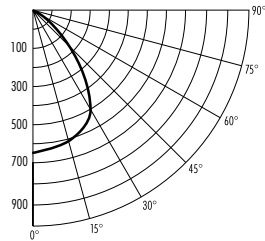
PHOTOMETRICS

PHOTOMETRIC REPORT

Test Report #: PT02141401R
Catalog No: IC22RLED G4 09LM 35K
with 24 WWH Trim and standard
wide flood optic

Luminaire Spacing Criterion: 1.16

Luminaire LPW: 91



CANDLEPOWER DISTRIBUTION (Candelas)

Degrees	Candelas
Vertical	0°
0	655
5	649
15	610
25	545
35	427
45	194
55	85
65	42
75	24
85	6
90	0

Multiplier: 27K - 0.90
30K - 0.97
40K - 1.04

AVERAGE INITIAL FOOTCANDLES

Multiple Units (Square Array, 60'x60' room)
Ceiling 80% Wall 50% Floor 20%

Spacing	RCR1	RCR3	RCR5
4.0'	71	59	49
5.0'	45	37	31
6.0'	32	26	22
7.0'	26	21	18
8.0'	20	17	14
9.0'	15	13	11
10.0'	11	9	8

ZONAL LUMEN SUMMARY

Zone	Lumens	%Lamp	%Fixture
0 - 30°	484	N/A	46.0
0 - 40°	745	N/A	70.8
0 - 60°	978	N/A	92.9
0 - 90°	1052	N/A	100.0

INITIAL FOOTCANDLES (One Unit, 11.5W, 78.8° Beam)

Distance to Illuminated Plane (Feet)	Footcandles Beam Center	Beam Diameter
4	40.9	6.6'
6	18.2	9.9'
8	10.2	13.1'
10	6.6	16.4'

LUMINANCE (Average cd/m²)

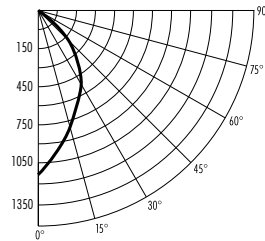
Degrees	Average Luminance
45	14990
55	8113
65	5412
75	5150
85	3529

PHOTOMETRIC REPORT

Test Report #: 25975R
Catalog No: IC22RLED G4 09LM 35K
with 27 CWH Trim and standard
wide flood optic

Luminaire Spacing Criterion: 0.78

Luminaire LPW: 101



CANDLEPOWER DISTRIBUTION (Candelas)

Degrees	Candelas
Vertical	0°
0	1152
5	1081
15	821
25	644
35	460
45	220
55	70
65	14
75	0
85	0
90	0

Multiplier: 27K - 0.90
30K - 0.97
40K - 1.04

AVERAGE INITIAL FOOTCANDLES

Multiple Units (Square Array, 60'x60' room)
Ceiling 80% Wall 50% Floor 20%

Spacing	RCR1	RCR3	RCR5
4.0'	80	67	57
5.0'	51	43	37
6.0'	35	30	25
7.0'	29	24	21
8.0'	23	19	16
9.0'	17	15	12
10.0'	13	11	9

ZONAL LUMEN SUMMARY

Zone	Lumens	%Lamp	%Fixture
0 - 30°	625	N/A	53.9
0 - 40°	909	N/A	78.3
0 - 60°	1145	N/A	98.7
0 - 90°	1160	N/A	100.0

INITIAL FOOTCANDLES (One Unit, 11.5W, 58.1° Beam)

Distance to Illuminated Plane (Feet)	Footcandles Beam Center	Beam Diameter
4	72.0	4.4'
6	32.0	6.7'
8	18.0	8.9'
10	11.5	11.1'

LUMINANCE (Average cd/m²)

Degrees	Average Luminance
45	18537
55	7239
65	2007
75	0
85	0

Fixtures tested to IES recommended standard for solid state lighting per LM-79-08. Photometric performance on a single unit represents a baseline of performance for the fixture. Results may vary in the field.