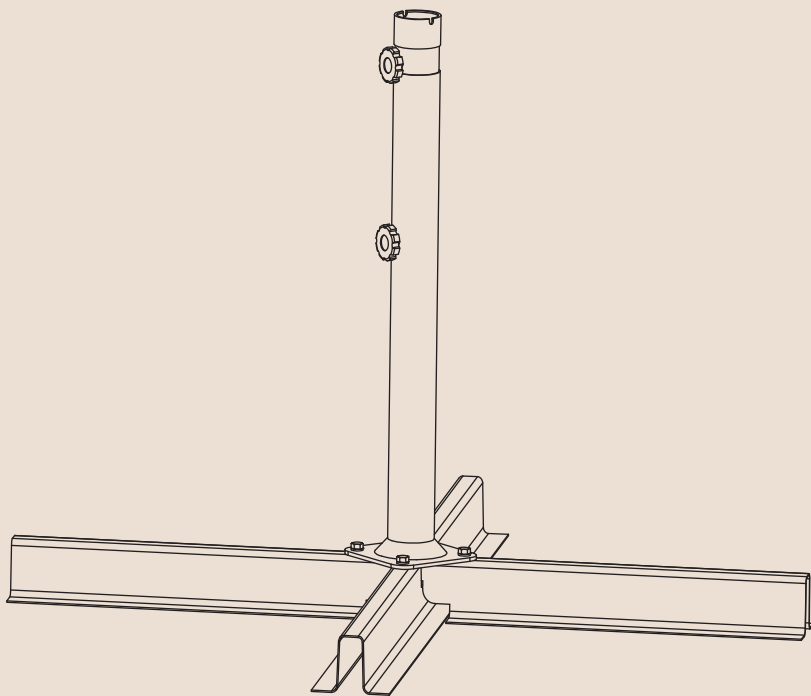


WWT
WESTINTRENDS
WWT

DESIGNED IN CALIFORNIA



— HEAVY DUTY CROSS BRACE, BLACK —

THANK YOU!

We appreciate you for choosing WestinTrends!

Thank you for letting WestinTrends continue to offer accessible luxury trends, inspired by everyone!

JOIN THE WESTINTRENDS COMMUNITY

Sign up here:

[*https://westintrends.com/welcome*](https://westintrends.com/welcome)



QUESTIONS OR COMMENTS?

If you have questions reach out to
cs@westintrends.com

FOLLOW, SHARE, & LEARN



PRODUCT REGISTRATION

[*https://westintrends.com/apps/product-registration*](https://westintrends.com/apps/product-registration)



ACCESSIBILITY - COMMUNITY - VALUE - SUSTAINABILITY

! CARE & MAINTENANCE

- Store in a location when not in use.
- Do not allow umbrella to flap in the wind as it may cause damage.
- When adjusting umbrella, make sure no person or item is close to umbrella to avoid injury or damage.

TOOLS REQUIRED



Hex Wrench
(PROVIDED)



1 PERSON
ASSEMBLY



UP TO 20 MIN.
ASSEMBLY

HARDWARE

1

LOCKING
BOLT



4 PCS

2

WASHER



4 PCS

3

HEX WRENCH



1 PC

4

PLASTIC HEAD
BOLT

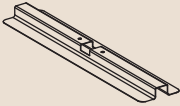


2 PCS

PARTS

A

BOTTOM CROSS BASE



1 PC

B

TOP CROSS BASE



1 PC

C

EXTEND POLE



1 PC

D

EXTEND POLE

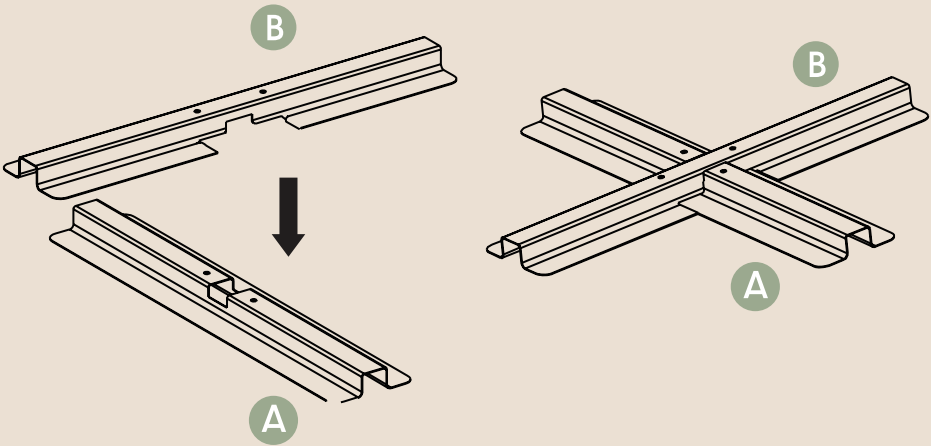


1 PC

PRODUCT ASSEMBLY

1

Put **Part B Top Cross Base** on top of **Part A Bottom Cross Base**.

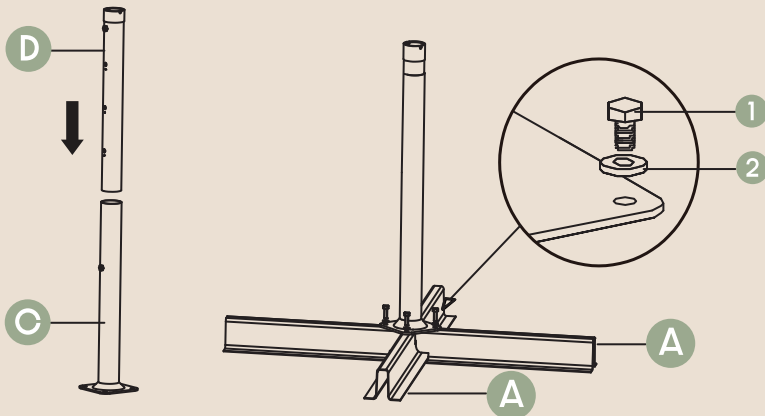


2

Insert **Extend Pole D** into **Extend Pole C**.

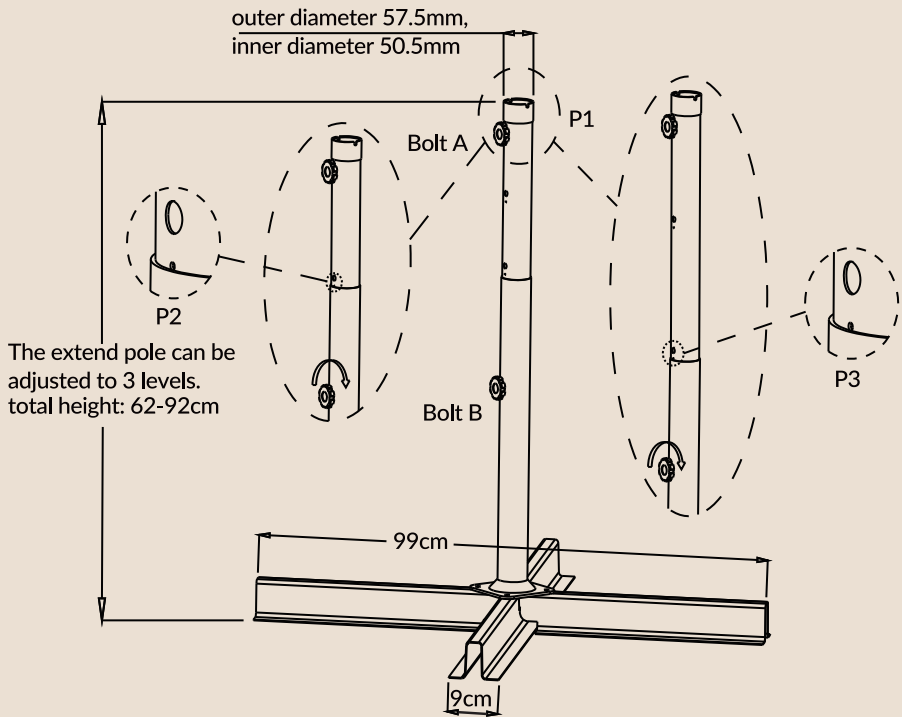
Connect **Part C Extend Pole** onto **Part A & B** with 4 sets of **Hardware #1 Locking Bolt** and **Hardware #2 Washer**.

Use hex wrench provided to tighten all the bolts.



3

- The base is suitable for the sun umbrella with the diameter of the pole within 48mm.
- Three levels of height available for adjustment (P1-P3 as below), and the distance from top to the ground:
 - P1 : 62cm
 - P2: 77cm
 - P3: 92cm
- When you adjust the base to P2 or P3, the small circle of the inner tube of **Part C** should line up with the edge of the outer tube to determine the position to rotate Bolt B.
- Whether you adjust the base to P1, P2 or P3, make sure that all the holes are on the same vertical line and then tighten **Bolt B** to hold the height.
- Insert your umbrella pole into **Part D Extend Pole** and tighten **Bolt A** to keep your umbrella stable.



REGISTRATION & REFUND POLICY

<https://westintrends.com/apps/product-registration>



<https://westintrends.com/policies/refund-policy>



HAVING TROUBLE

- **Not sure how to assemble or missing pieces?**

Please contact our Customer Service Team for assistance at cs@westintrends.com

Have Order #, Part # or SKU ready to speed up customer service!

CLEANING TIPS

REGULAR CLEAN: Use a mixture of warm water and mild soap. Gently scrub the surface with a soft bristle brush to remove any dirt or stains.

QUICK CLEAN: You can simply wipe down the HDPE furniture with a damp cloth. The material's resilience makes it resistant to most spills and stains, ensuring a hassle-free maintenance routine.

Regular cleaning not only preserves the aesthetic appeal of your furniture but also helps extend its lifespan.

Pressure washer can be used for seriously deep-cleaning - **DO NOT exceed 1500 PSI** - this will remove any debris and dirt.