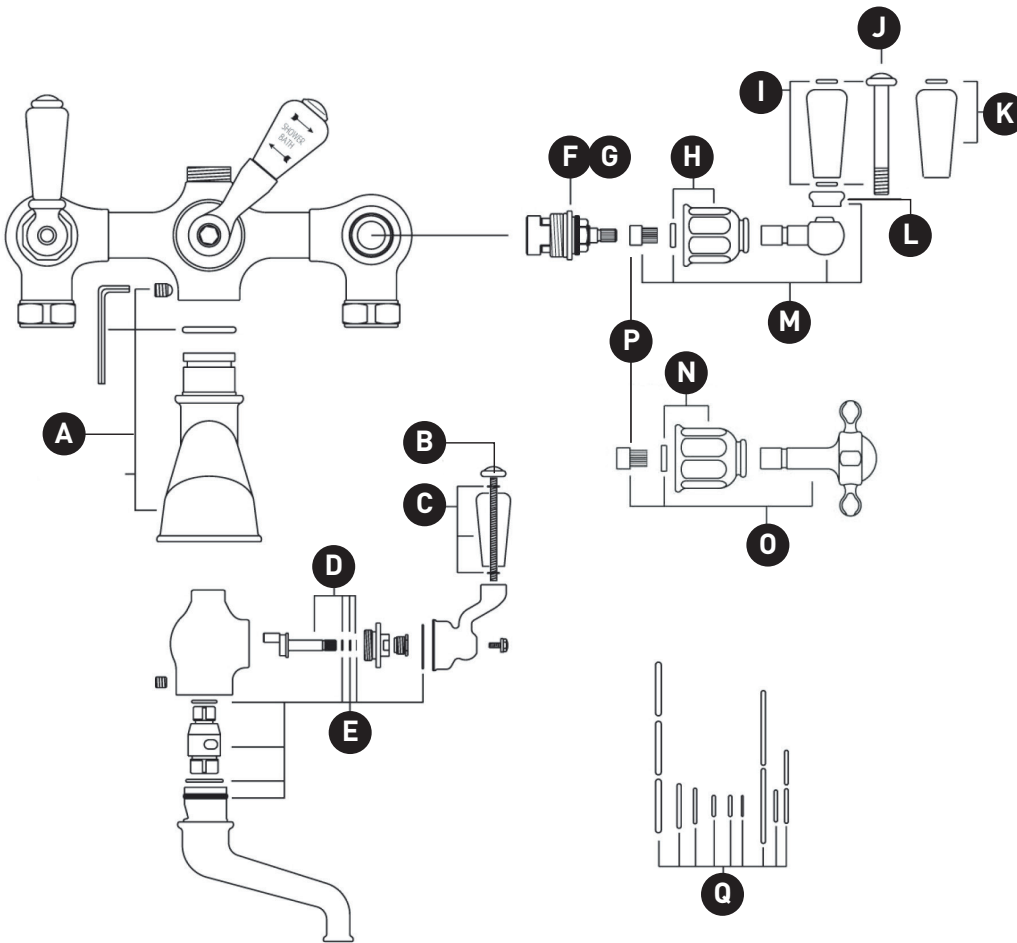


ORDER BY PART NUMBER

# ILLUSTRATED PARTS

## U.3500L U.3501X

Edwardian™ Exposed Deck Mount Tub Filler



| ID | Kit Number  | Finish    |
|----|-------------|-----------|
| A* | 9.20501     | See below |
| B* | 9.26502     | See below |
| C  | 9.20503     | N/A       |
| D  | 9.21500     | N/A       |
| E  | 9.26500     | N/A       |
| F  | 9.13500(L)  | N/A       |
| G  | 9.13501 (R) | N/A       |
| H* | 9.12456     | See below |
| I  | 9.26410     | N/A       |
| J* | 9.24193     | See below |
| K* | 9.26411     | See below |
| L* | 9.19193     | See below |
| M* | 9.21370     | See below |
| N* | 9.12456     | See below |
| O* | 9.01456(H)  | See below |
|    | 9.01456(C)  | See below |
| P  | 9.15402     | N/A       |
| Q  | 9.06500     | N/A       |

**\*Finish Determined by Suffix**

| Finish | Description     |
|--------|-----------------|
| APC    | Polished Chrome |
| EB     | English Bronze  |
| EG     | English Gold    |
| PN     | Polished Nickel |
| STN    | Satin Nickel    |

For warranty or additional information, contact:

U.S.A.  
houseofrohl.com/support  
1-800-777-9762

QUEBEC / MARITIMES / WESTERN CANADA  
QUÉBEC / MARITIMES / OUEST CANADIEN  
QUEBEC / MARITIMOS / CANADA OCCIDENTAL  
houseofrohl.ca/support  
1-866-473-8442

ONTARIO  
houseofrohl.ca/support  
1-800-287-5354

ORDER BY PART NUMBER

# ILLUSTRATED PARTS

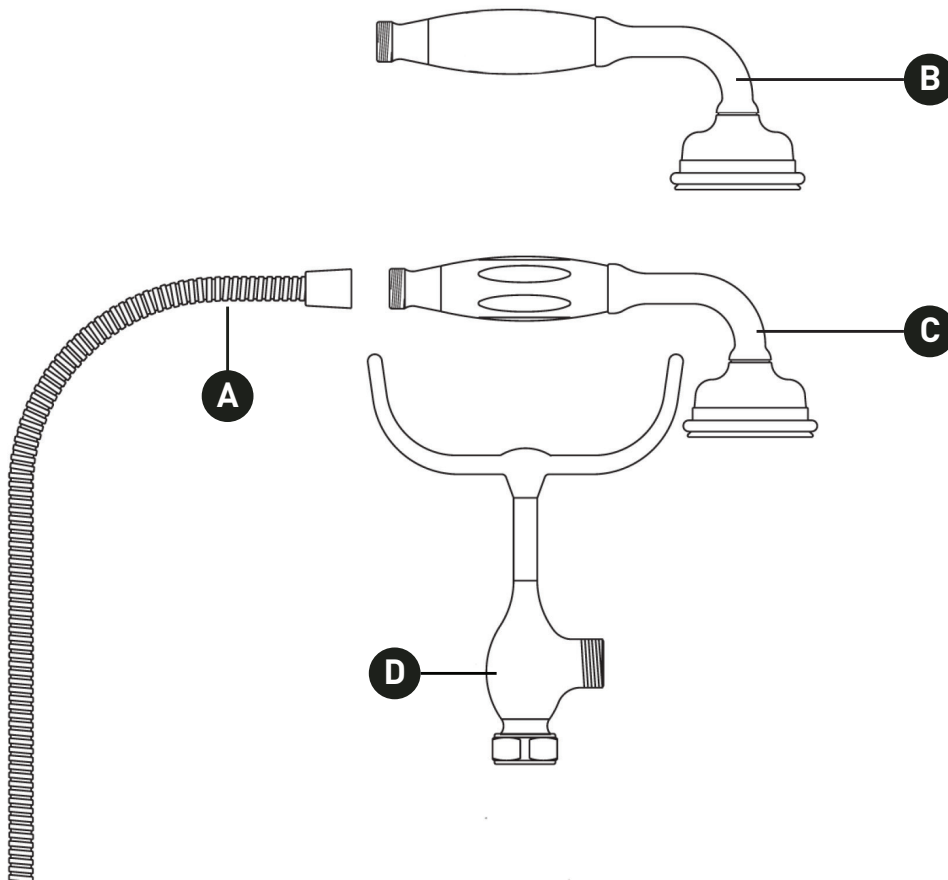
## U.5380

Handshower & Cradle

| ID        | Kit Number | Finish    |
|-----------|------------|-----------|
| <b>A*</b> | 9.28385    | See below |
| <b>B*</b> | 9.27745    | See below |
| <b>C*</b> | 9.27385    | See below |
| <b>D*</b> | 9.26383    | See below |

**\*Finish Determined by Suffix**

| Finish | Description       |
|--------|-------------------|
| APC    | Polished Chrome   |
| EB     | English Bronze    |
| EG     | English Gold      |
| PN     | Polished Nickel   |
| STN    | Satin Nickel      |
| ULB    | Unlacquered Brass |



**For warranty or additional information, contact:**

U.S.A.  
houseofrohl.com/support  
1-800-777-9762

QUEBEC / MARITIMES / WESTERN CANADA  
QUÉBEC / MARITIMES / OUEST CANADIEN  
QUEBEC / MARITIMOS / CANADA OCCIDENTAL  
houseofrohl.ca/support  
1-866-473-8442

ONTARIO  
houseofrohl.ca/support  
1-800-287-5354

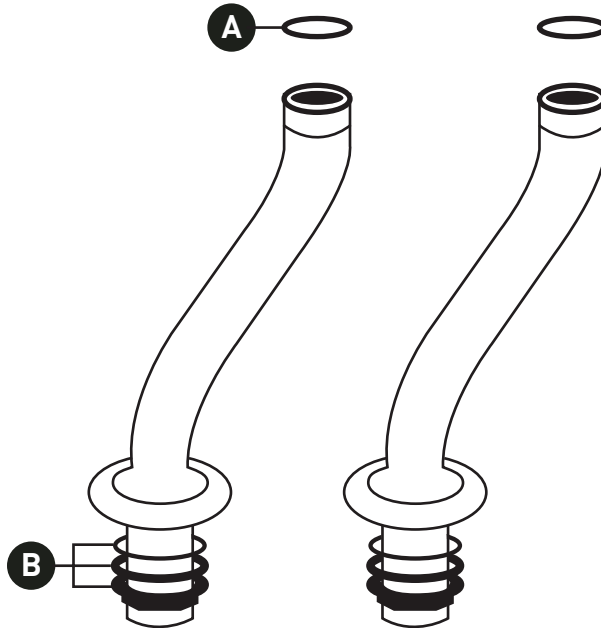
ORDER BY PART NUMBER

# ILLUSTRATED PARTS

## U.6386

Extended Deck Pillar Unions

| ID | Kit Number | Finish |
|----|------------|--------|
| A  | 9.067115   | N/A    |
| B  | 9.142597   | N/A    |



**\*Finish Determined by Suffix**

| Finish | Description       |
|--------|-------------------|
| APC    | Polished Chrome   |
| EB     | English Bronze    |
| EG     | English Gold      |
| PN     | Polished Nickel   |
| STN    | Satin Nickel      |
| ULB    | Unlacquered Brass |

**For warranty or additional information, contact:**

U.S.A.  
houseofrohl.com/support  
1-800-777-9762

QUEBEC / MARITIMES / WESTERN CANADA  
QUÉBEC / MARITIMES / OUEST CANADIEN  
QUEBEC / MARITIMOS / CANADA OCCIDENTAL  
houseofrohl.ca/support  
1-866-473-8442

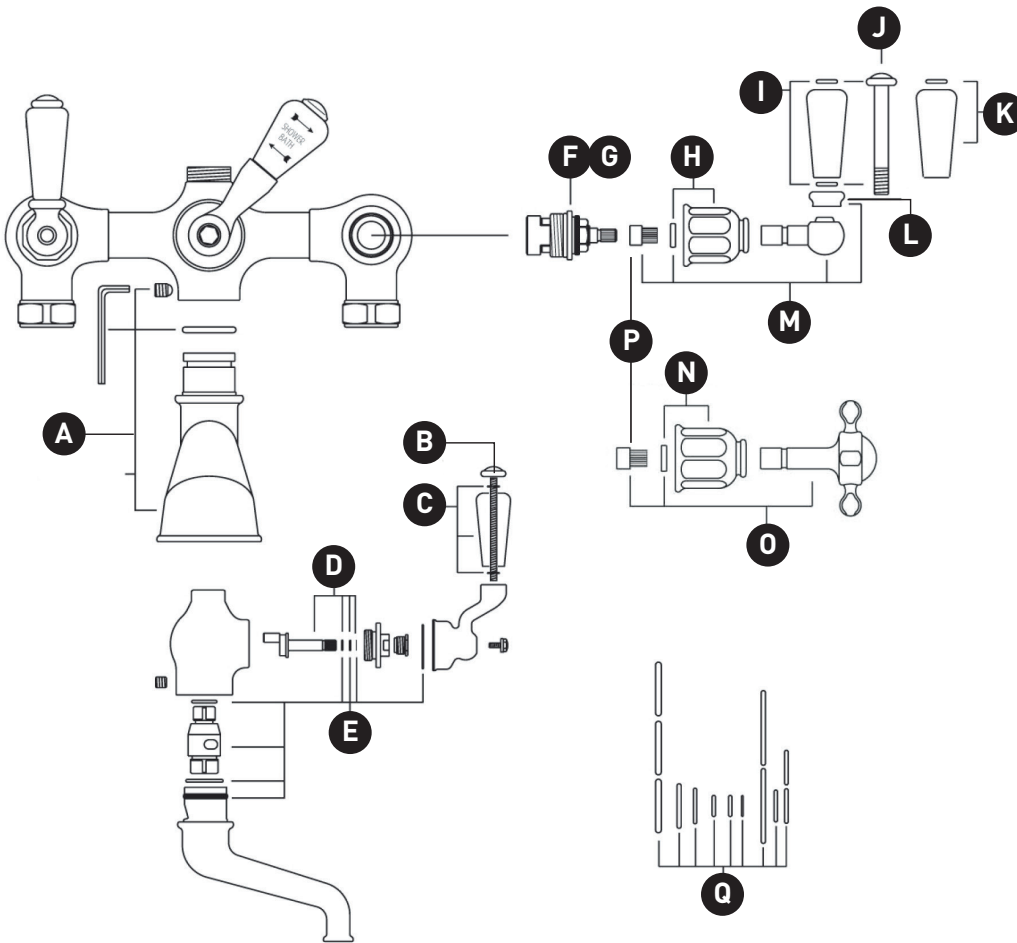
ONTARIO  
houseofrohl.ca/support  
1-800-287-5354

VEUILLEZ EFFECTUER VOTRE COMMANDE  
PAR NO DE RÉFÉRENCE

# ILLUSTRATIONS DES PIÈCES

## U.3500L U.3501X

Remplisseur de baignoire à montage sur  
pont exposé Edwardian™



| ID | Référence du kit | Finition        |
|----|------------------|-----------------|
| A* | 9.20501          | Voir ci-dessous |
| B* | 9.26502          | Voir ci-dessous |
| C  | 9.20503          | N/A             |
| D  | 9.21500          | N/A             |
| E  | 9.26500          | N/A             |
| F  | 9.13500(L)       | N/A             |
| G  | 9.13501 (R)      | N/A             |
| H* | 9.12456          | Voir ci-dessous |
| I  | 9.26410          | N/A             |
| J* | 9.24193          | Voir ci-dessous |
| K* | 9.26411          | Voir ci-dessous |
| L* | 9.19193          | Voir ci-dessous |
| M* | 9.21370          | Voir ci-dessous |
| N* | 9.12456          | Voir ci-dessous |
| O* | 9.01456(H)       | Voir ci-dessous |
|    | 9.01456(C)       | Voir ci-dessous |
| P  | 9.15402          | N/A             |
| Q  | 9.06500          | N/A             |

**\*Finition déterminée par le Suffixe**

| Finition | Description    |
|----------|----------------|
| APC      | Chrome poli    |
| EB       | Bronze anglais |
| EG       | Or anglais     |
| PN       | Nickel poli    |
| STN      | Nickel satiné  |

For warranty or additional information, contact:

U.S.A.  
houseofrohl.com/support  
1-800-777-9762

QUEBEC / MARITIMES / WESTERN CANADA  
QUÉBEC / MARITIMES / OUEST CANADIEN  
QUEBEC / MARITIMOS / CANADA OCCIDENTAL  
houseofrohl.ca/support  
1-866-473-8442

ONTARIO  
houseofrohl.ca/support  
1-800-287-5354

VEUILLEZ EFFECTUER VOTRE COMMANDE  
PAR NO DE RÉFÉRENCE

# ILLUSTRATIONS DES PIÈCES

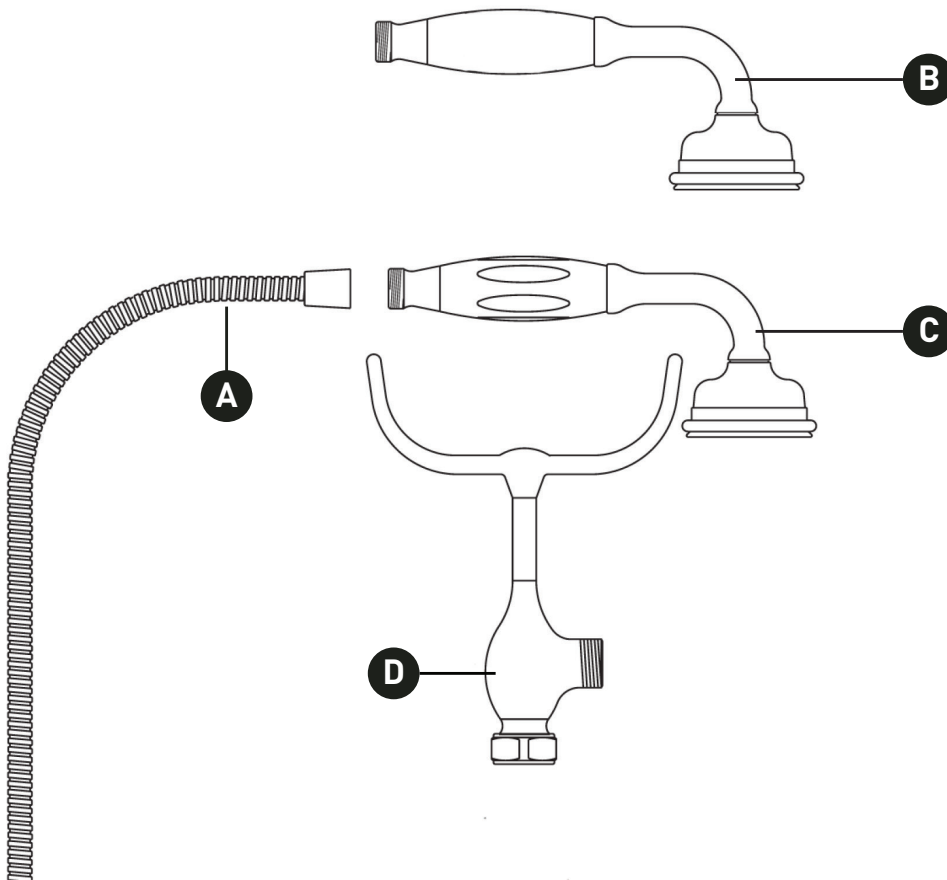
## U.5380

Douchette et berceau

| ID        | Référence du kit | Finition        |
|-----------|------------------|-----------------|
| <b>A*</b> | 9.28385          | Voir ci-dessous |
| <b>B*</b> | 9.27745          | Voir ci-dessous |
| <b>C*</b> | 9.27385          | Voir ci-dessous |
| <b>D*</b> | 9.26383          | Voir ci-dessous |

**\*Finition déterminée par le Suffixe**

| Finition | Description      |
|----------|------------------|
| APC      | Chrome poli      |
| EB       | Bronze anglais   |
| EG       | Or anglais       |
| PN       | Nickel poli      |
| STN      | Nickel satiné    |
| ULB      | Laiton non laqué |



For warranty or additional information, contact:

U.S.A.  
houseofrohl.com/support  
1-800-777-9762

QUEBEC / MARITIMES / WESTERN CANADA  
QUÉBEC / MARITIMES / OUEST CANADIEN  
QUEBEC / MARITIMOS / CANADA OCCIDENTAL  
houseofrohl.ca/support  
1-866-473-8442

ONTARIO  
houseofrohl.ca/support  
1-800-287-5354

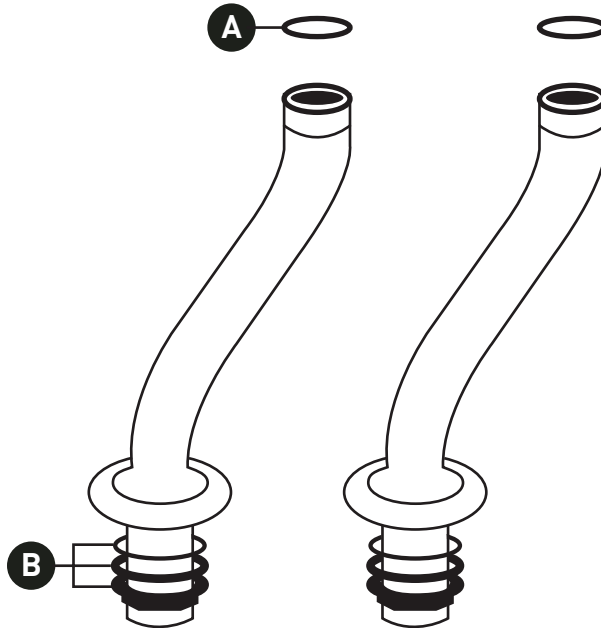
VEUILLEZ EFFECTUER VOTRE COMMANDE  
PAR NO DE RÉFÉRENCE

# ILLUSTRATIONS DES PIÈCES

## U.6386

Unions de piliers de pont étendus

| ID | Référence du kit | Finition |
|----|------------------|----------|
| A  | 9.067115         | N/A      |
| B  | 9.142597         | N/A      |



**\*Finition déterminée par le Suffixe**

| Finition | Description      |
|----------|------------------|
| APC      | Chrome poli      |
| EB       | Bronze anglais   |
| EG       | Or anglais       |
| PN       | Nickel poli      |
| STN      | Nickel satiné    |
| ULB      | Laiton non laqué |

For warranty or additional information, contact:

U.S.A.  
houseofrohl.com/support  
1-800-777-9762

QUEBEC / MARITIMES / WESTERN CANADA  
QUÉBEC / MARITIMES / OUEST CANADIEN  
QUEBEC / MARITIMOS / CANADA OCCIDENTAL  
houseofrohl.ca/support  
1-866-473-8442

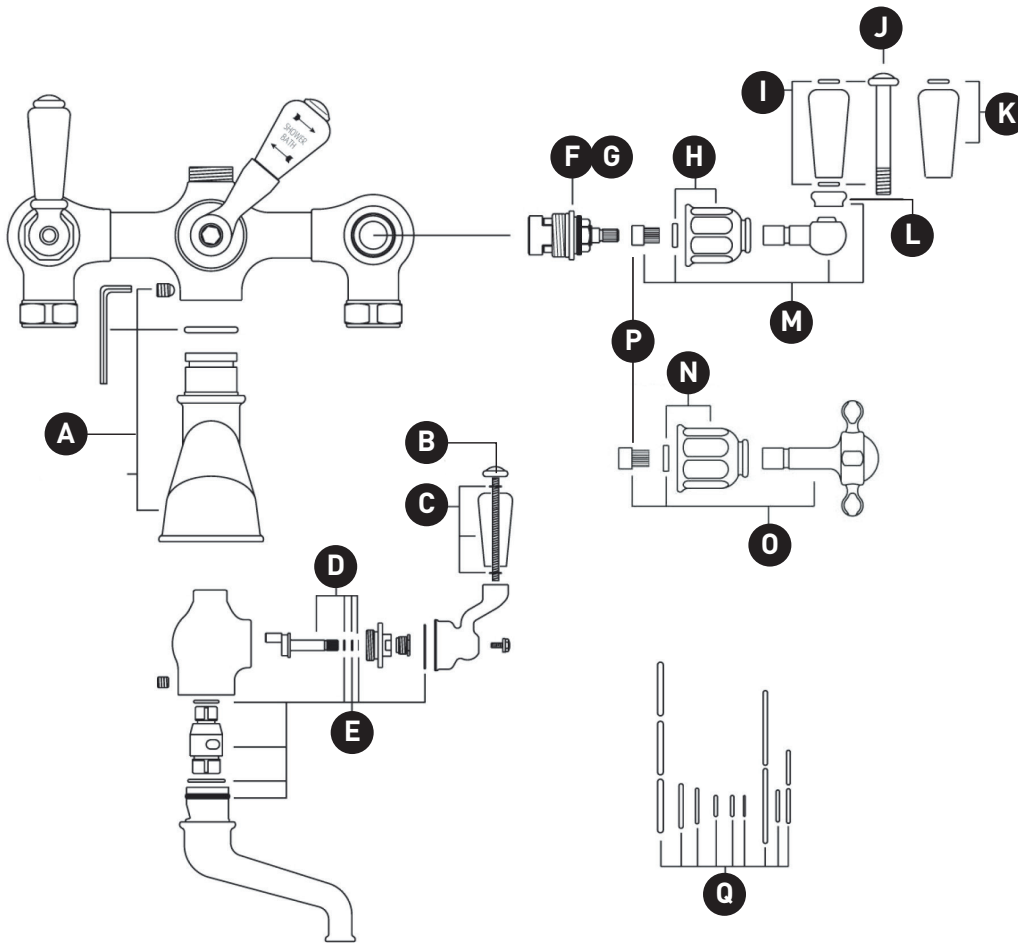
ONTARIO  
houseofrohl.ca/support  
1-800-287-5354

PEDIR POR NÚMERO DE REFERENCIA

# PIEZAS ILUSTRADAS

## U.3500L U.3501X

Llenador de bañera para montaje en cubierta expuesto Edwardian™



| ID | Referencia del kit | Acabado       |
|----|--------------------|---------------|
| A* | 9.20501            | Ver más abajo |
| B* | 9.26502            | Ver más abajo |
| C  | 9.20503            | N/A           |
| D  | 9.21500            | N/A           |
| E  | 9.26500            | N/A           |
| F  | 9.13500(L)         | N/A           |
| G  | 9.13501 (R)        | N/A           |
| H* | 9.12456            | Ver más abajo |
| I  | 9.26410            | N/A           |
| J* | 9.24193            | Ver más abajo |
| K* | 9.26411            | Ver más abajo |
| L* | 9.19193            | Ver más abajo |
| M* | 9.21370            | Ver más abajo |
| N* | 9.12456            | Ver más abajo |
| O* | 9.01456(H)         | Ver más abajo |
|    | 9.01456(C)         | Ver más abajo |
| P  | 9.15402            | N/A           |
| Q  | 9.06500            | N/A           |

**\*Acabado determinado por el sufijo**

| Acabado | Descripción     |
|---------|-----------------|
| APC     | Cromo pulido    |
| EB      | Bronce Inglés   |
| EG      | Oro inglés      |
| PN      | Níquel pulido   |
| STN     | Níquel satinado |

For warranty or additional information, contact:

U.S.A.  
houseofrohl.com/support  
1-800-777-9762

QUEBEC / MARITIMES / WESTERN CANADA  
QUÉBEC / MARITIMES / OUEST CANADIEN  
QUEBEC / MARITIMOS / CANADA OCCIDENTAL  
houseofrohl.ca/support  
1-866-473-8442

ONTARIO  
houseofrohl.ca/support  
1-800-287-5354

PEDIR POR NÚMERO DE REFERENCIA

# PIEZAS ILUSTRADAS

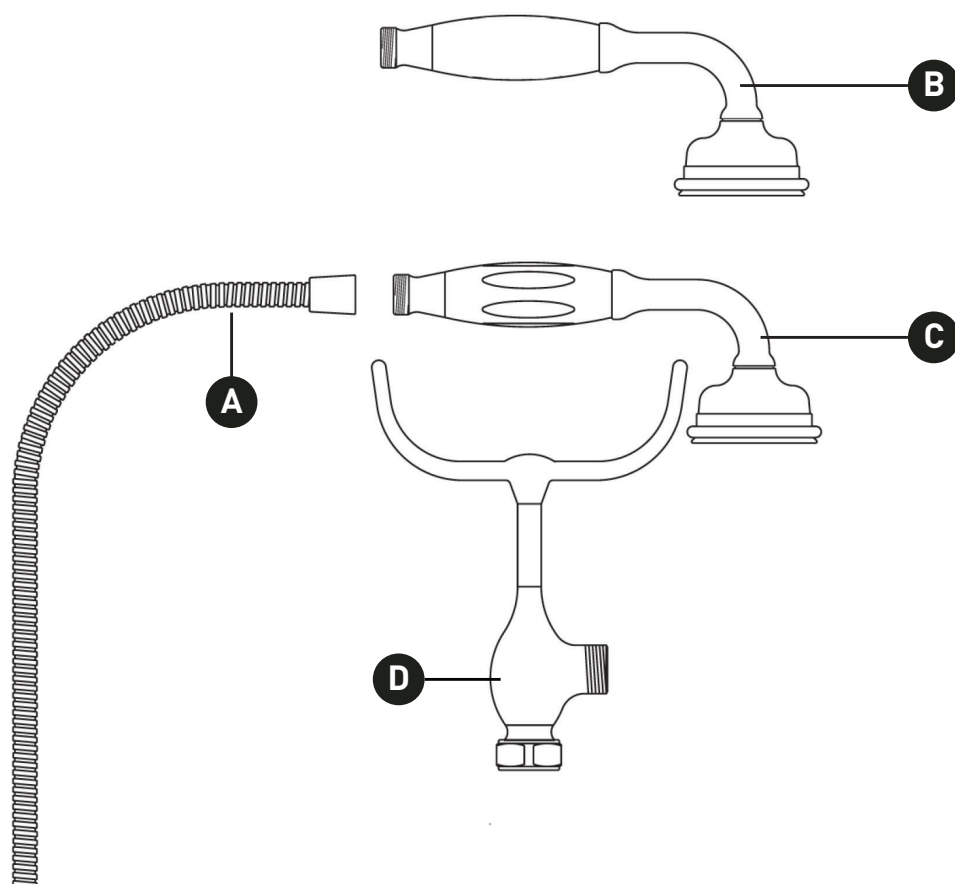
## U.5380

Ducha de mano y cuna

| ID        | Referencia del kit | Acabado       |
|-----------|--------------------|---------------|
| <b>A*</b> | 9.28385            | Ver más abajo |
| <b>B*</b> | 9.27745            | Ver más abajo |
| <b>C*</b> | 9.27385            | Ver más abajo |
| <b>D*</b> | 9.26383            | Ver más abajo |

**\*Acabado determinado por el sufijo**

| Acabado | Descripción     |
|---------|-----------------|
| APC     | Cromo pulido    |
| EB      | Bronce Inglés   |
| EG      | Oro inglés      |
| PN      | Níquel pulido   |
| STN     | Níquel satinado |
| ULB     | Latón sin lacar |



**For warranty or additional information, contact:**

U.S.A.  
houseofrohl.com/support  
1-800-777-9762

QUEBEC / MARITIMES / WESTERN CANADA  
QUÉBEC / MARITIMES / OUEST CANADIEN  
QUEBEC / MARITIMOS / CANADA OCCIDENTAL  
houseofrohl.ca/support  
1-866-473-8442

ONTARIO  
houseofrohl.ca/support  
1-800-287-5354



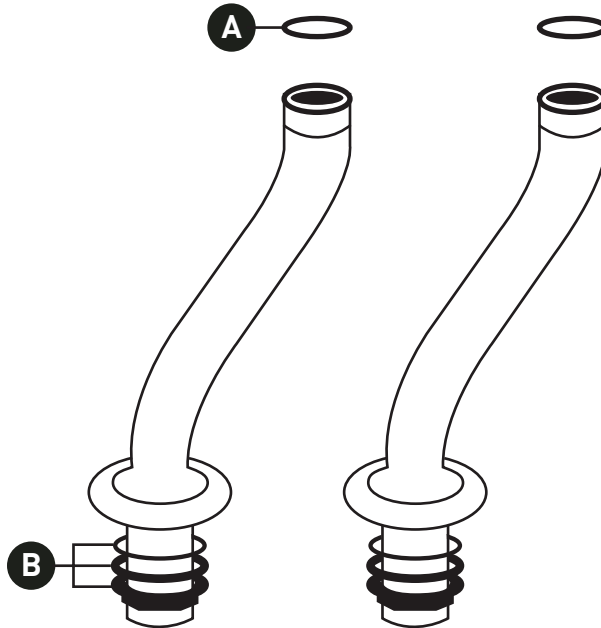
PEDIR POR NÚMERO DE REFERENCIA

# PIEZAS ILUSTRADAS

## U.6386

Uniones de pilares de cubierta extendidas

| ID | Referencia del kit | Acabado |
|----|--------------------|---------|
| A  | 9.067115           | N/A     |
| B  | 9.142597           | N/A     |



**\*Acabado determinado por el sufijo**

| Acabado | Descripción     |
|---------|-----------------|
| APC     | Cromo pulido    |
| EB      | Bronce Inglés   |
| EG      | Oro inglés      |
| PN      | Níquel pulido   |
| STN     | Níquel satinado |
| ULB     | Latón sin lacar |

**For warranty or additional information, contact:**

U.S.A.  
houseofrohl.com/support  
1-800-777-9762

QUEBEC / MARITIMES / WESTERN CANADA  
QUÉBEC / MARITIMES / OUEST CANADIEN  
QUEBEC / MARITIMOS / CANADA OCCIDENTAL  
houseofrohl.ca/support  
1-866-473-8442

ONTARIO  
houseofrohl.ca/support  
1-800-287-5354