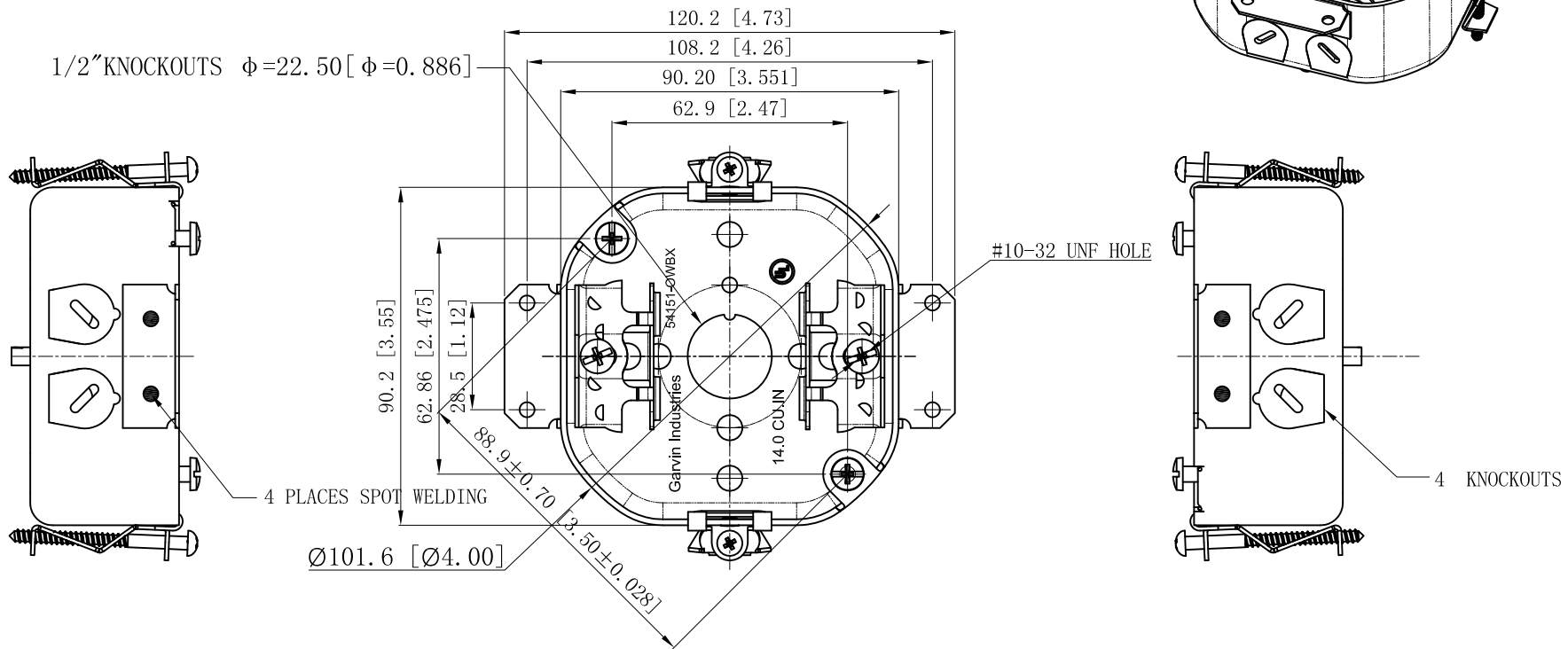
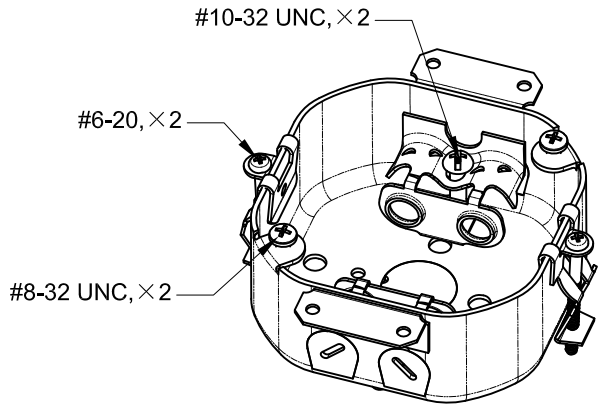
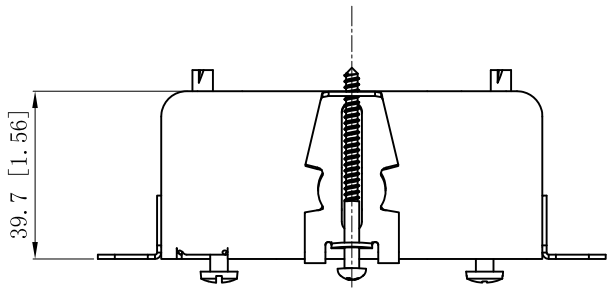


SIDES	BOTTOM
4 KNOCKOUTS	1/2" KNOCKOUTS
2 Pcs #8-32x1/2" screw install	
2 Pcs #10-32x1" screw install	
2 Pcs #6-20x1-7/8" screw install	
Material: Steel-0.0625"-G60 Galvanized	



DESCRIPTION
TRADE REFERENCE TERMS

This data sheet is for reference only. GARVIN INDUSTRIES reserves the right to make changes to the design without prior notice.

STANDARD PACKING	GARVIN INDUSTRIES		
	TITLE 4" OCTAGON BOXES 1-1/2" DEEP		
	SIZE A4	DWG NO. 54151-OWBX	REV
	DATA SHEET		