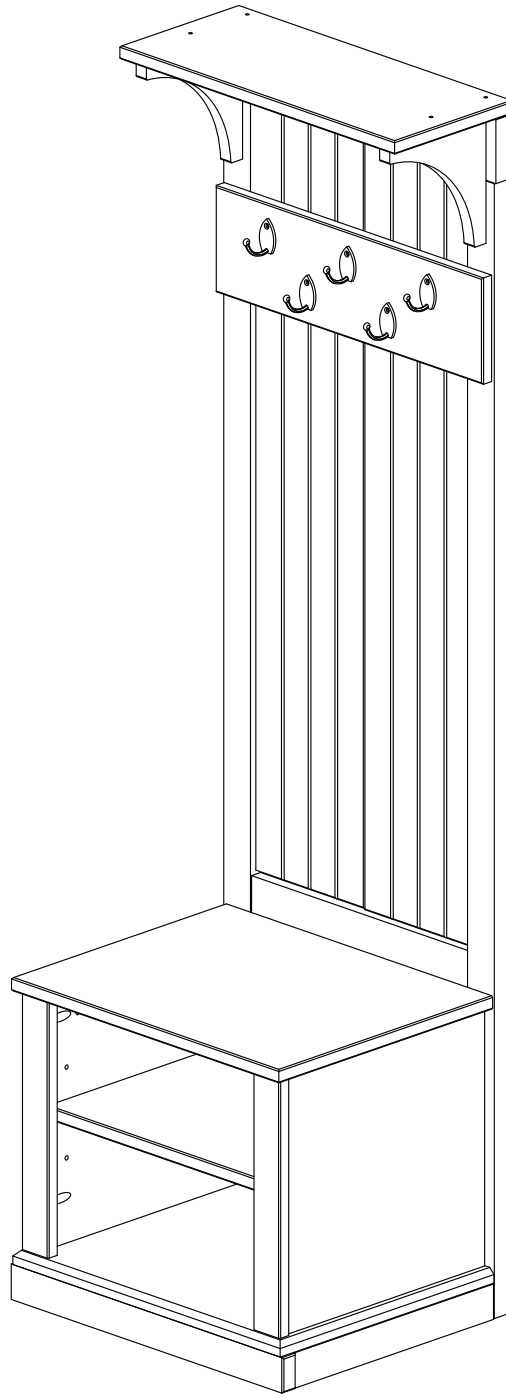


Item # : HT68NATSW

Assembly Instructions

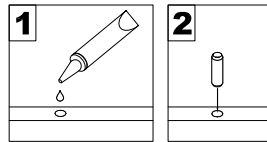


Please visit our website for the most current instructions, assembly tips, report damage, or request parts. www.walkerediton.com

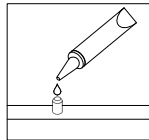
Revised 01/2022

General Assembly Guidelines

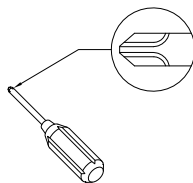
- I. Ensure that all parts and hardware are available before beginning assembly.
- II. Follow each step carefully to ensure the proper assembly of this product.
- III. Two people are recommended for ease in the assembly of this product.
- IV. The three main types of hardware used to assemble this product are : wood dowels , screws and bolts.
- V. The provided glue is to secure wood dowels in place . When first inserting dowels , locate the appropriate hole for the dowel , place a small amount of glue in the hole and insert the dowel . Wipe away excess glue immediately.



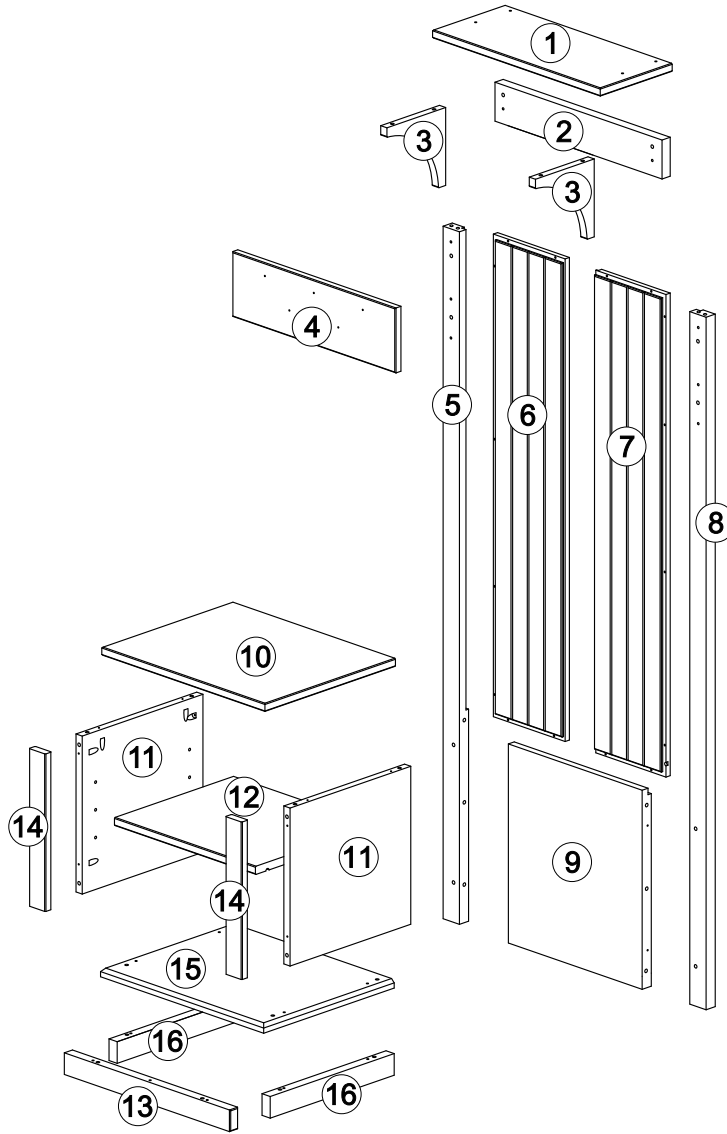
In future assembly steps when dowels are necessary to attach assembly parts together , place a small amount of glue on the end of the dowel before attaching parts together . Wipe away excess glue immediately.



- VI. A Phillips head screwdriver or power tools is required to assembly this product.



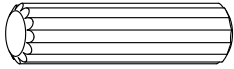

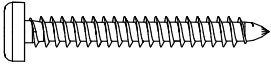


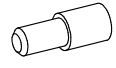

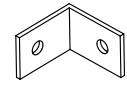
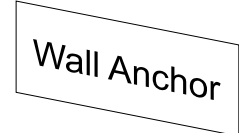
Parts List



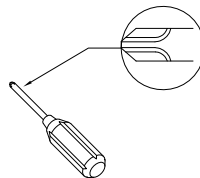
Part#	Description	Qty
1	Top shelf	01
2	Top crossbeam	01
3	Side apply	02
4	Hanger crossbeam	01
5	Left crossbeam foot	01
6	Left midle panel	01
7	Right midle panel	01
8	Right crossbeam foot	01
9	Back bottom panel	01

Part#	Description	Qty
10	Top panel	01
11	Side panel	02
12	Shelf	01
13	Front foot crossbeam	01
14	Front crossbeam	02
15	Bottom panel	01
16	Foot crossbeam	02

Hardware List

A		Ø8.0x30mm	Wooden dowel	42 pcs
B		Ø3x16mm	Screw	13 pcs
C		Ø4x35mm	Screw	41 pcs
D		Ø4x16mm	Screw	16 pcs
E			Glue tube	01 pcs
F			Shelf support	04 pcs
G			Hanger	05 pcs
H				04 pcs
Y			Wall Anchor	01 pcs

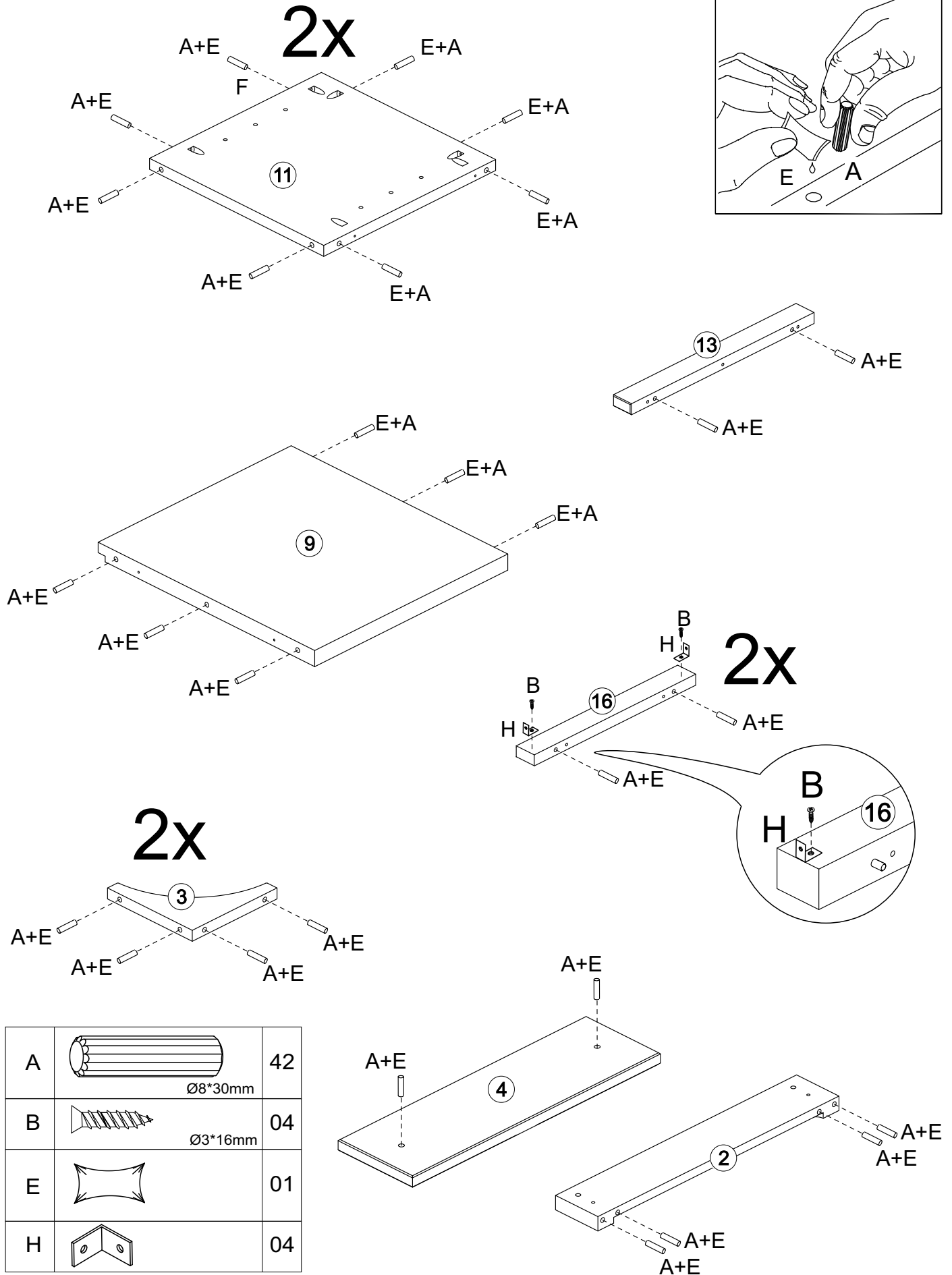
A Phillips head screwdriver or power tools is required to assembly this product (Not included).




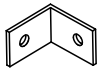


*The hardware quantities listed above are required for proper assembly.
Some extra hardware may also have been included.*

Step 1

Insert wood dowel (A) and glue (E) into parts (2), (3), (4), (9), (11), (13), and (16).
Insert angled connector (H) with screw (B) into part (16).

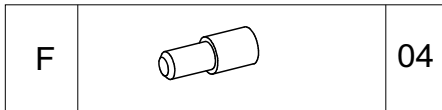
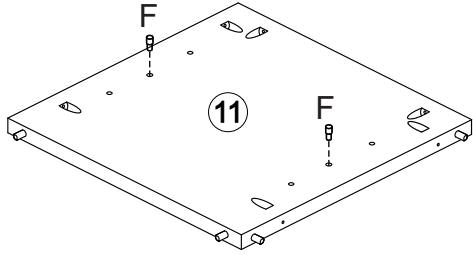
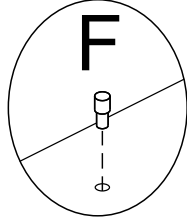


A	 Ø8*30mm	42
B	 Ø3*16mm	04
E		01
H		04

Step 2

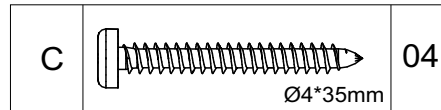
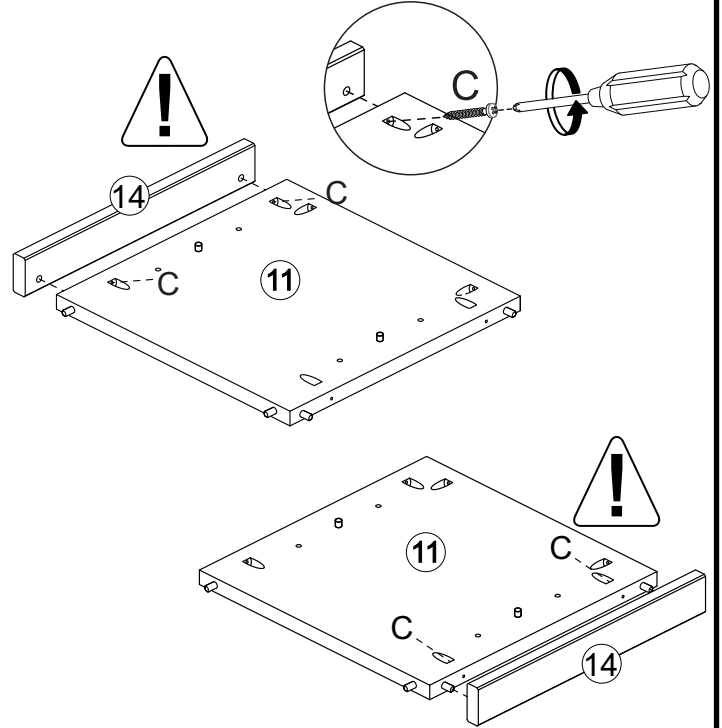
Insert support shelf (F) into part (11).

2x



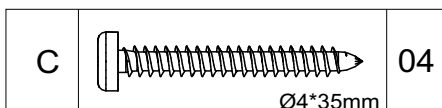
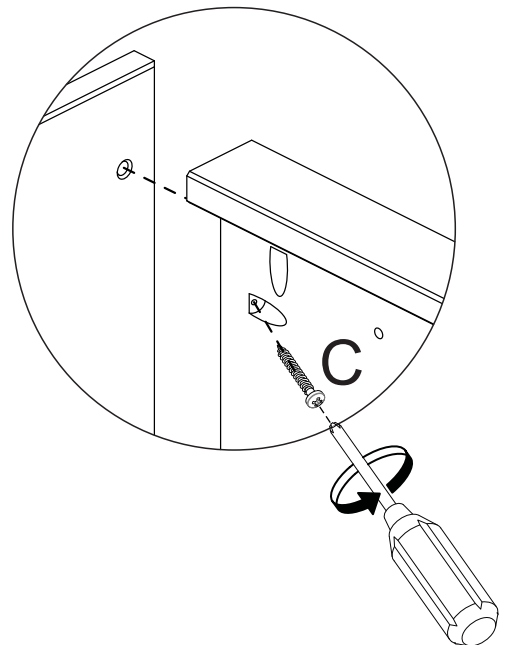
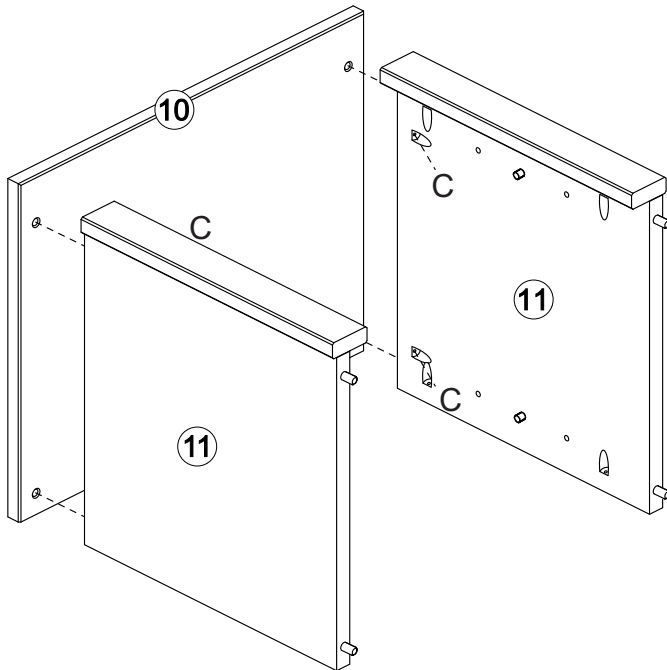
Step 3

Attach part (14) into part (11) using screw (C) and a Phillips head screwdriver.



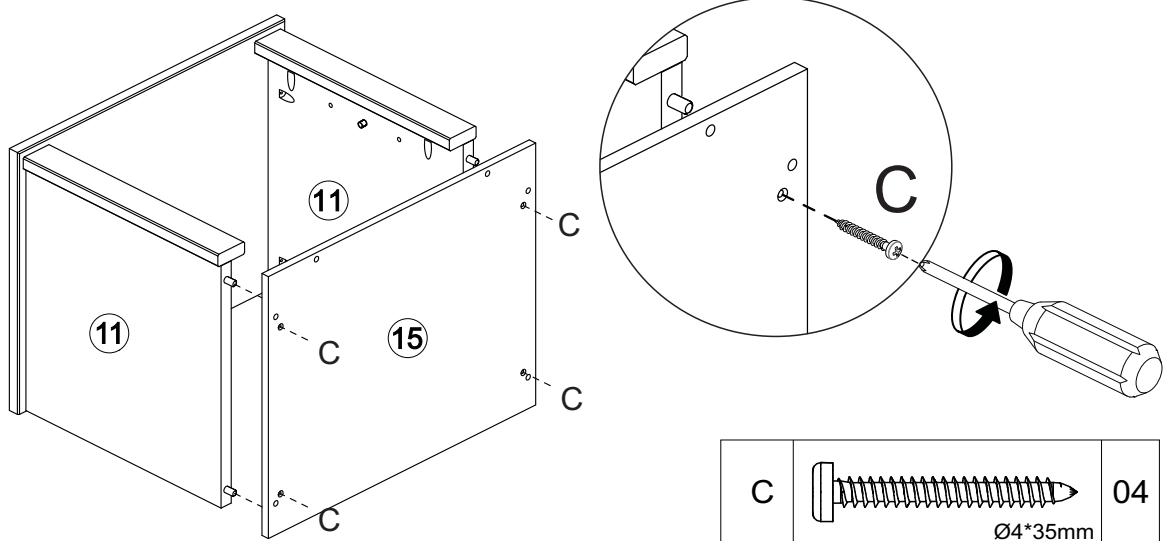
Step 4

Attach part (11) into part (10), using screw (C) and a Phillips head screwdriver.



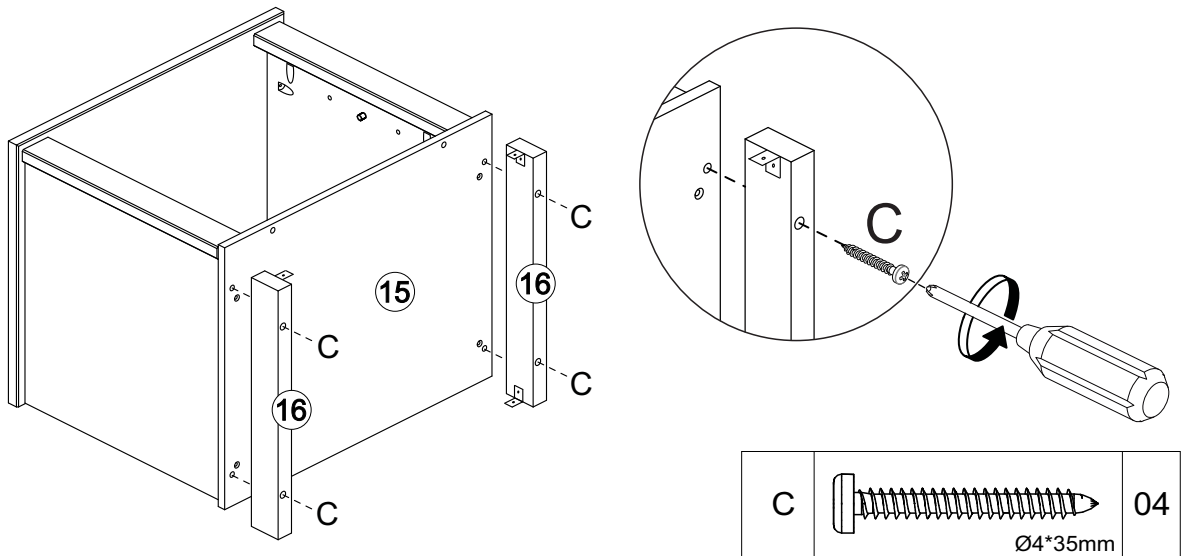
Step 5

Attach part (15) into part (11), using screw (C) and a Phillips head screwdriver.



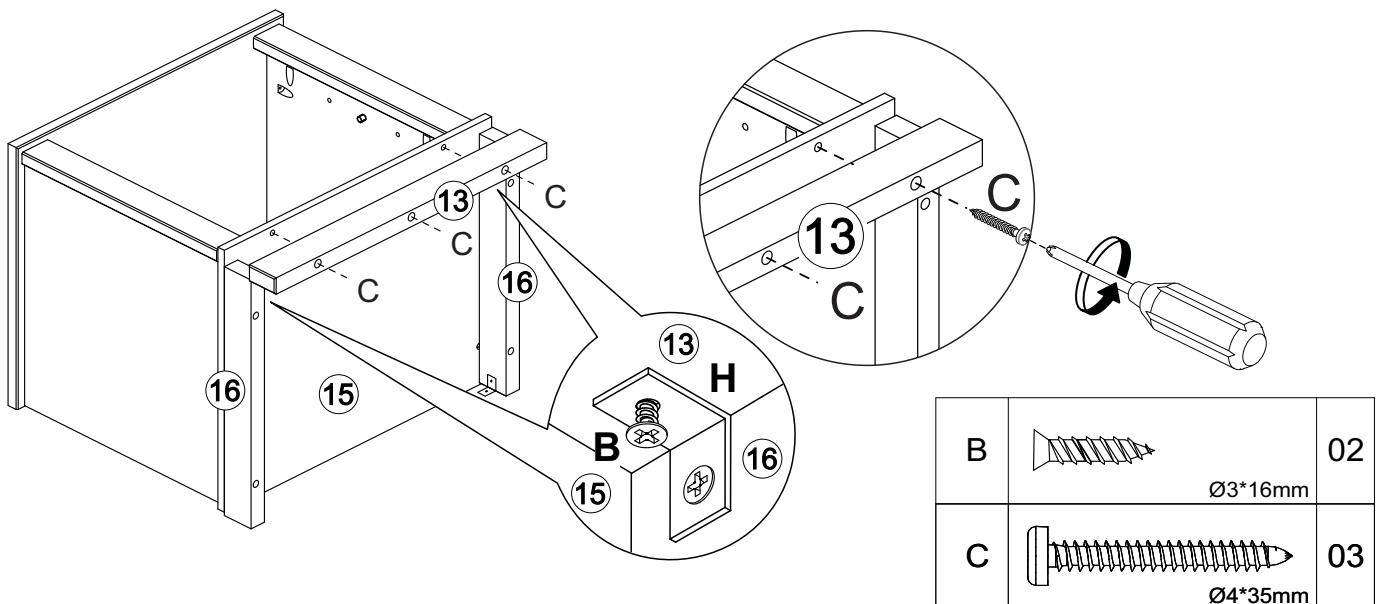
Step 6

Attach part (16) into part (15), using screw (C) and a Phillips head screwdriver.



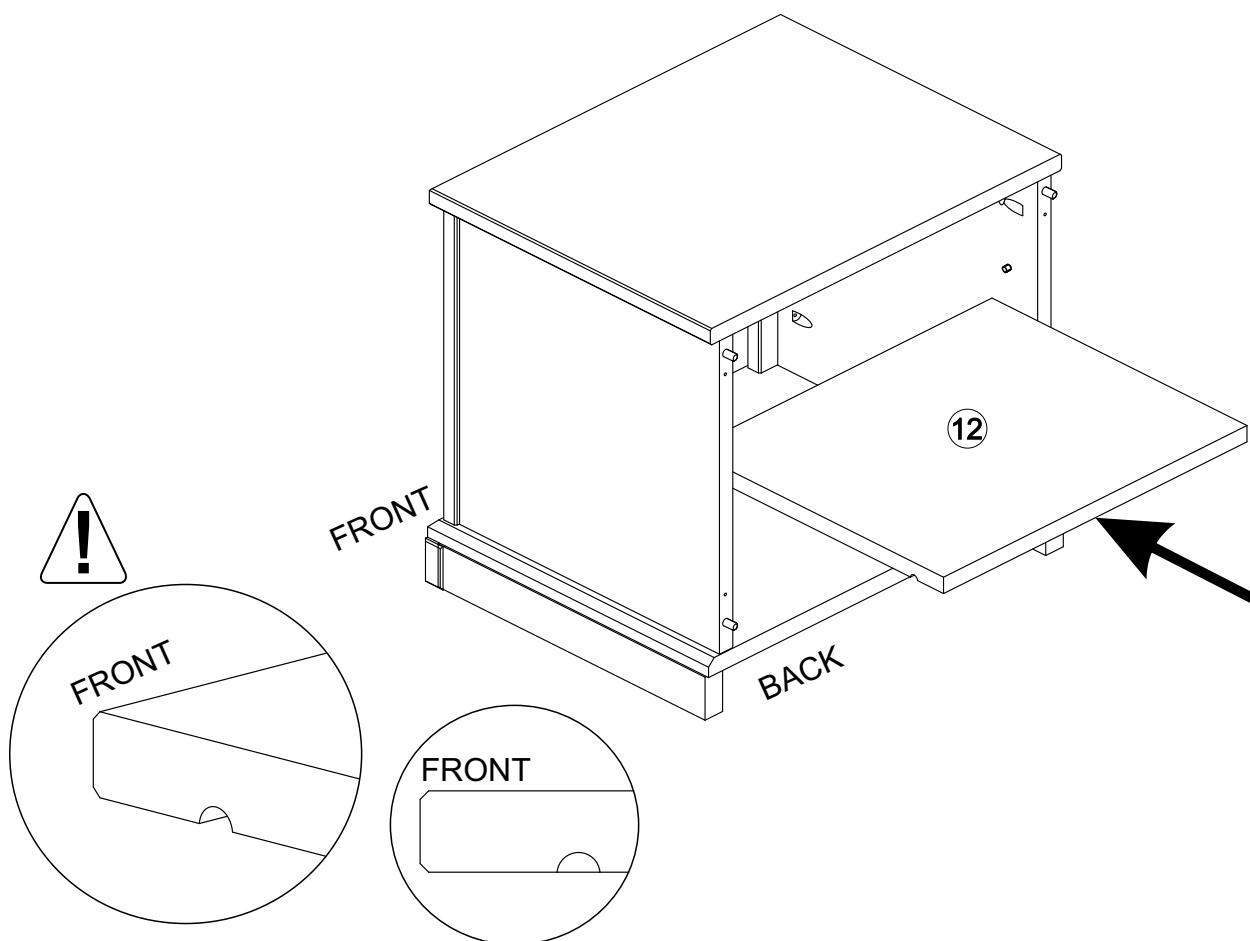
Step 7

Attach part (13) into part (15), using screw (C) and a Phillips head screwdriver.
Attach screw (B) in the angled connector (H), joining the part (13) to (16).



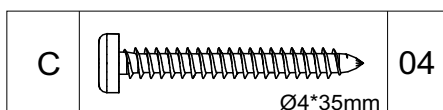
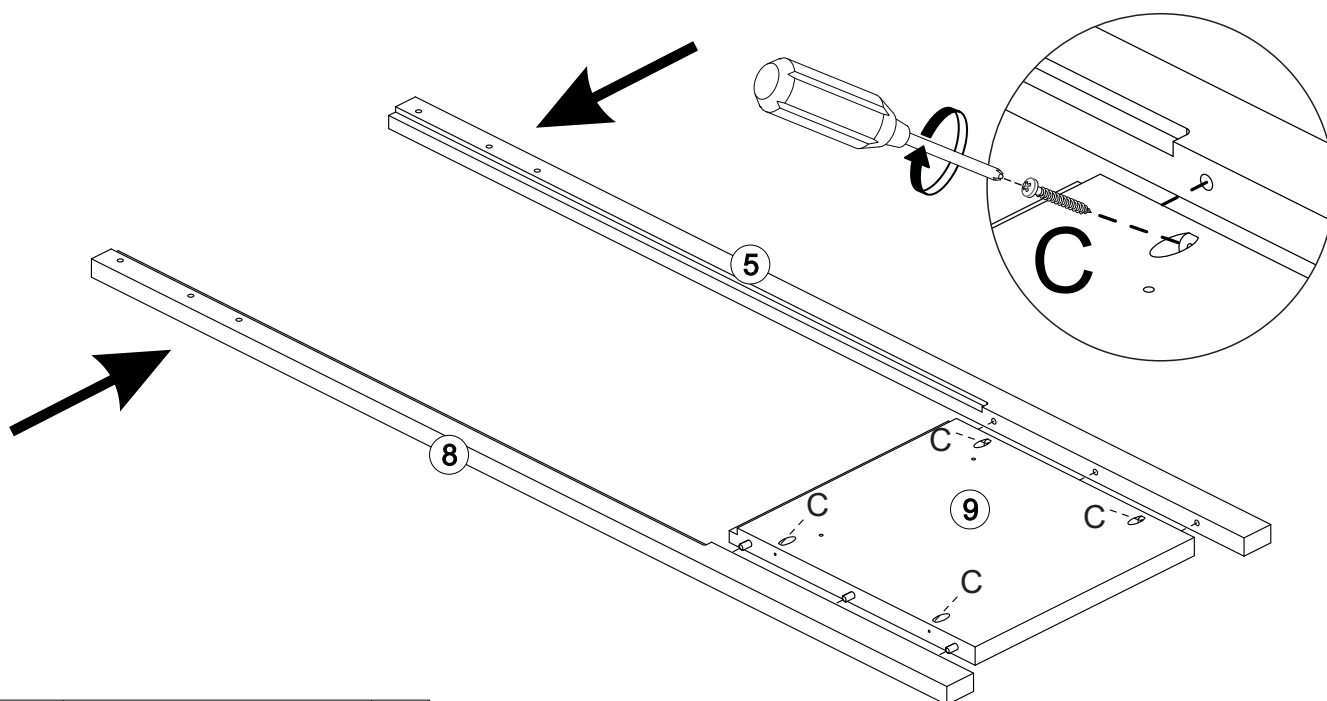
Step 7

Insert part (12) into the parts (11) and (13), supported on shelf supports.



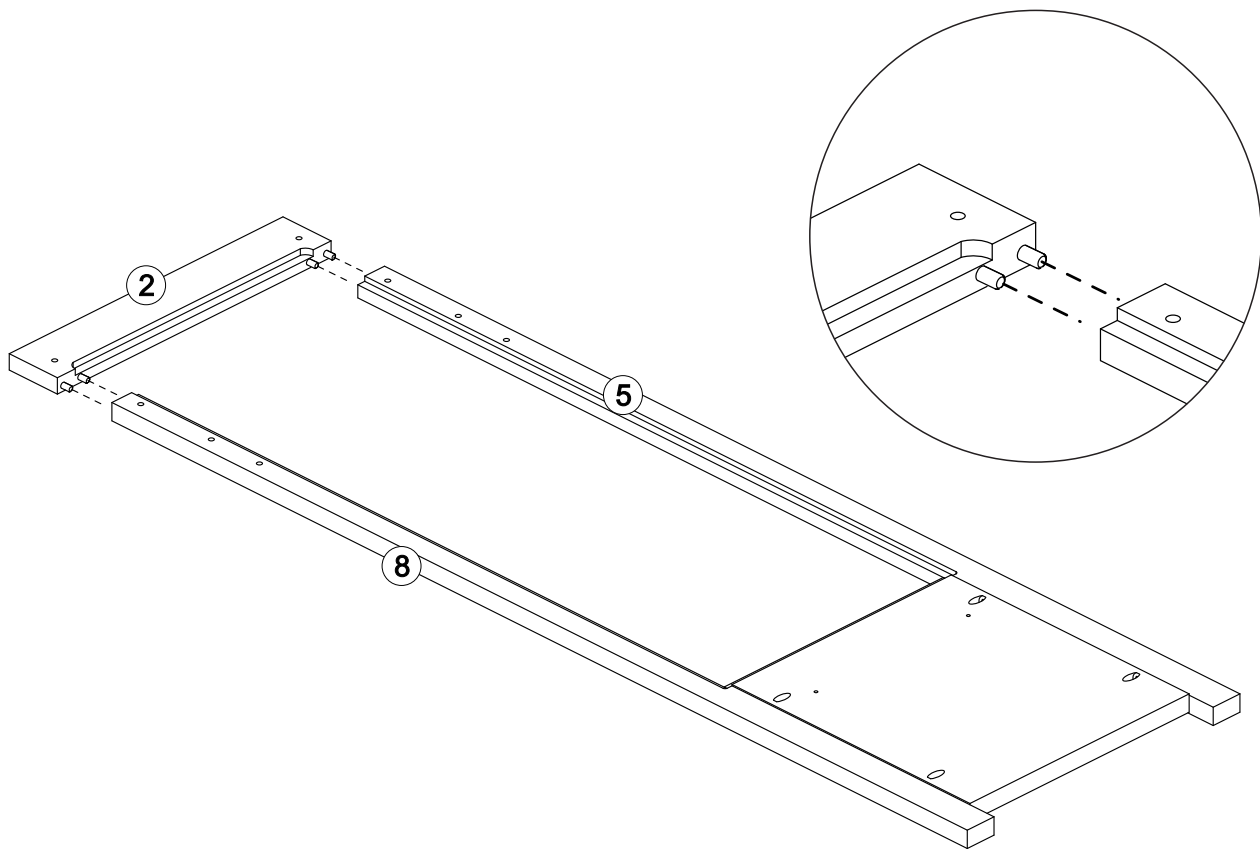
Step 8

Attach part (5) and (8) into part (9), using screw (C) and a Phillips head screwdriver.



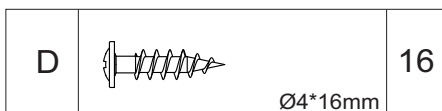
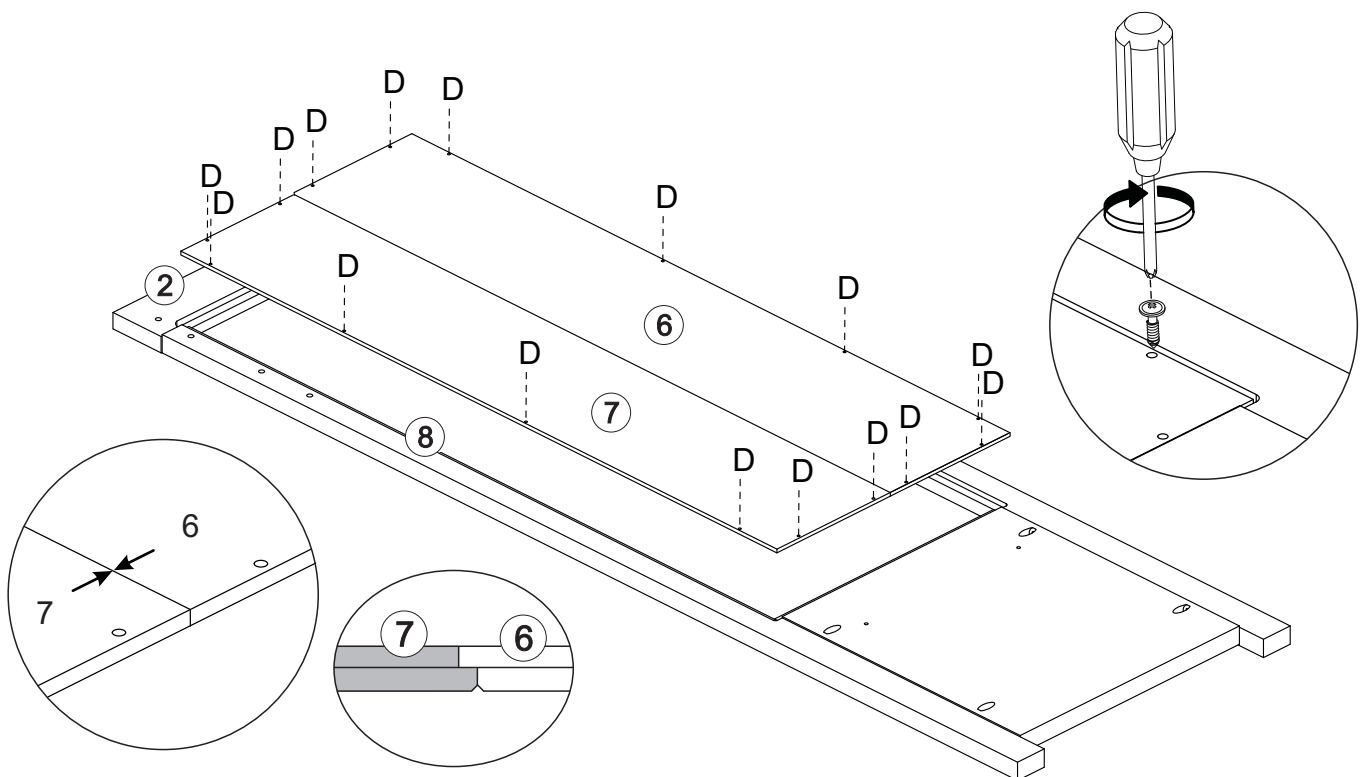
Step 9

Attach part (2) into part (8) and (5), placing the wood dowel in the holes.



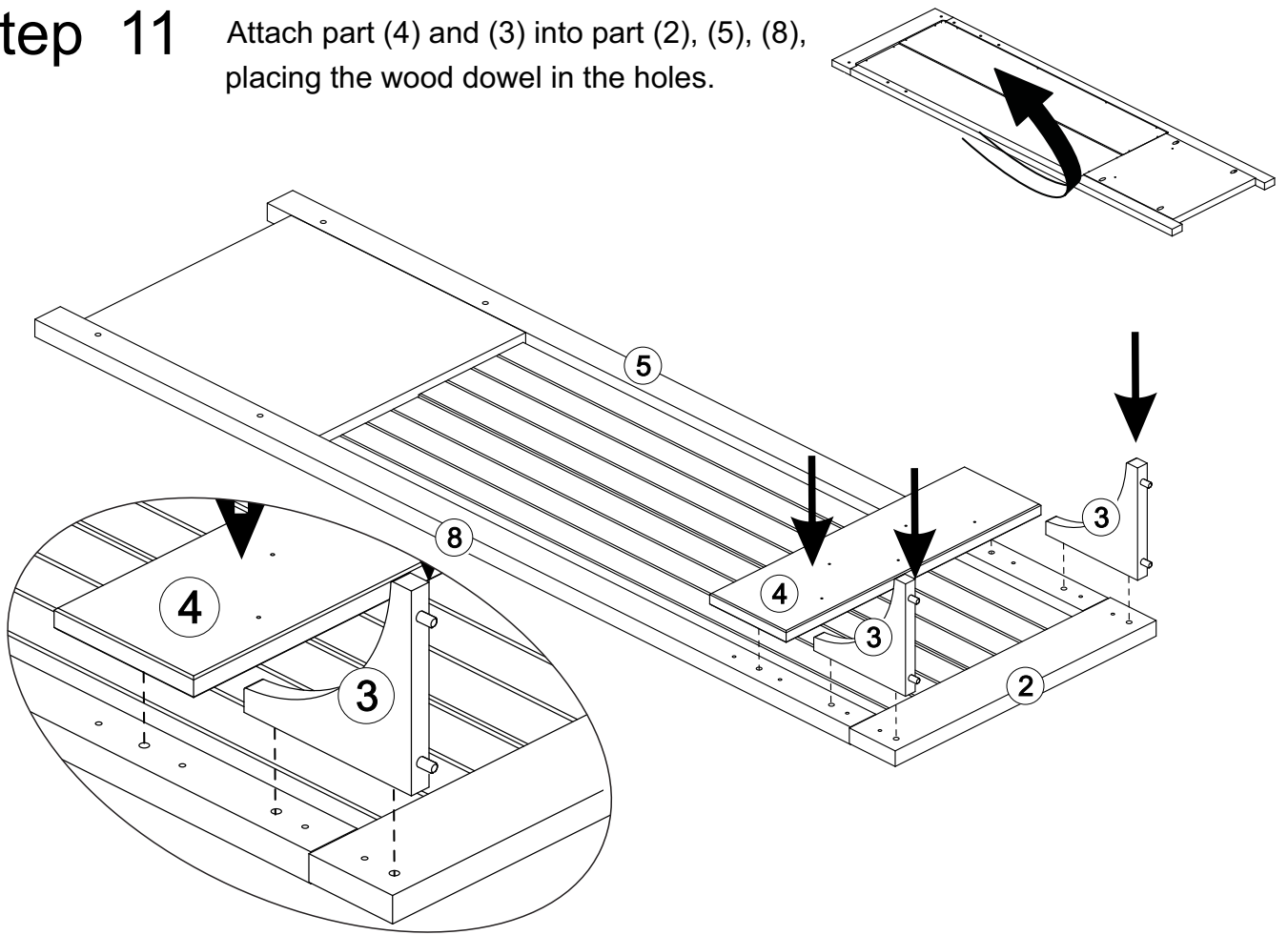
Step 10

Attach part (6) and (7) into part (2), (5), (8), using screw (D) and a Phillips head screwdriver.



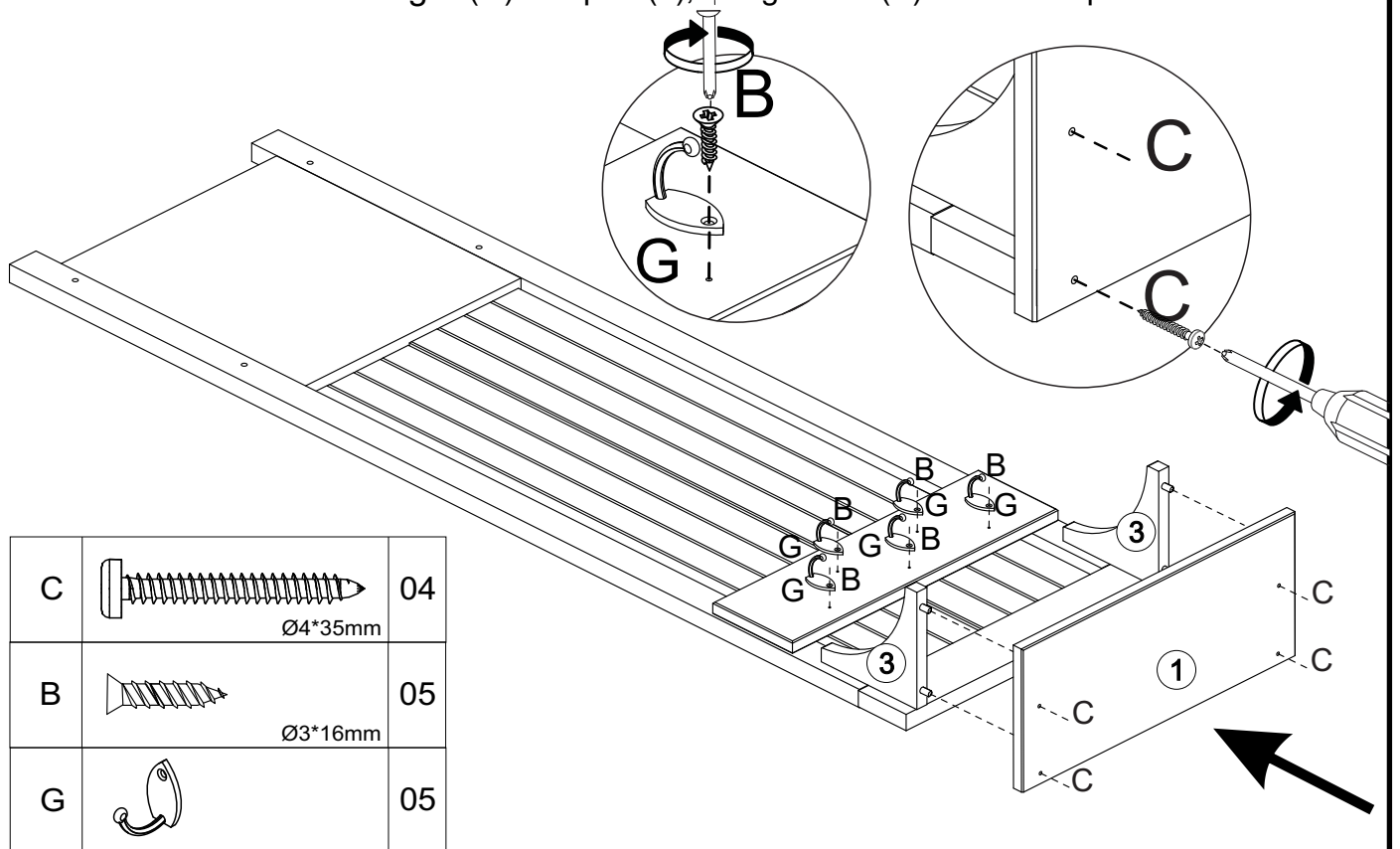
Step 11

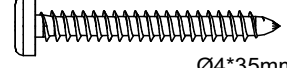


Attach part (4) and (3) into part (2), (5), (8), placing the wood dowel in the holes.



Step 12

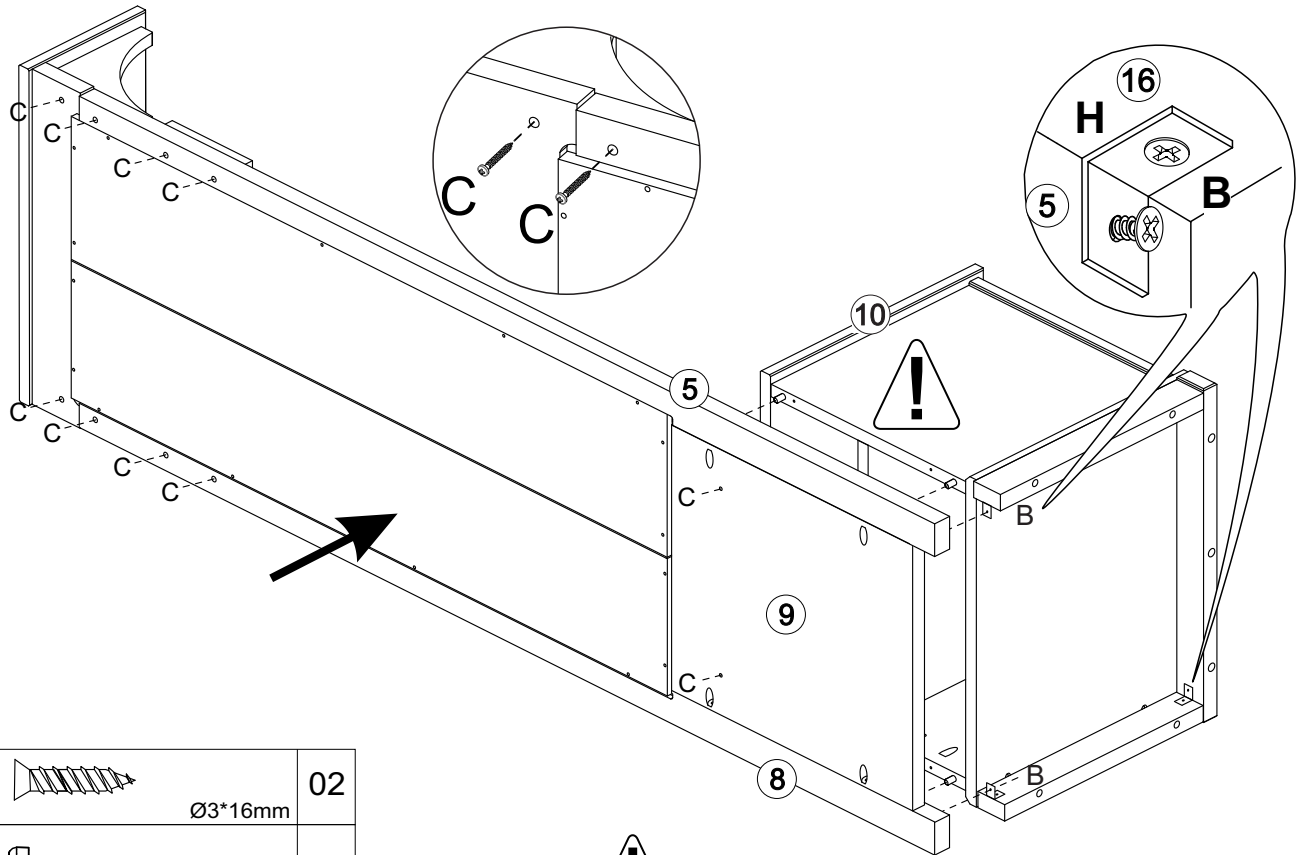
Attach part (1) into part (3), using screw (C) and a Phillips head screwdriver. Insert hanger (G) into part (4), using screw (B) and a Phillips head screwdriver.


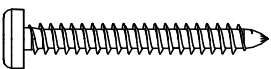


C		04
B		05
G		05

Step 13

Insert screw (C) into part (2), (5), (8), and (9). Attach screw (B) in the angled connector (H), joining the parts (16) to part (5) and (8).

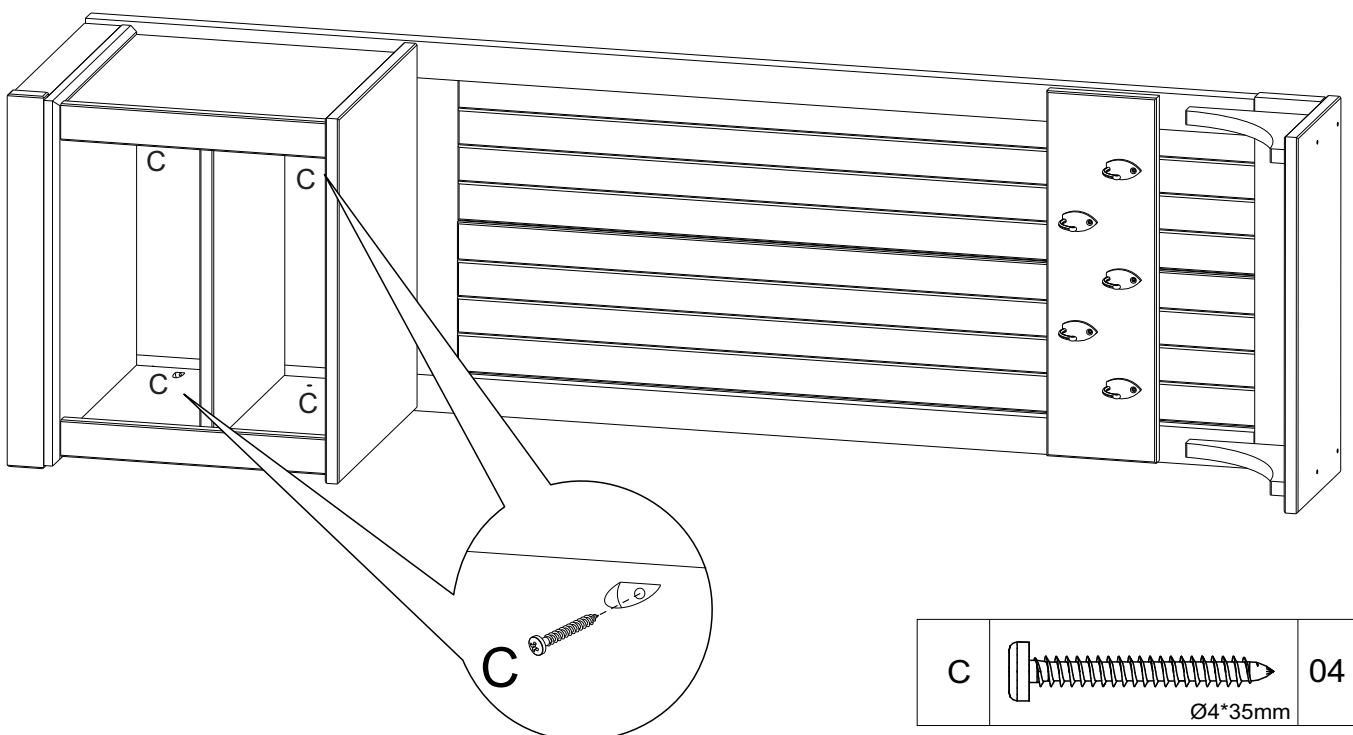


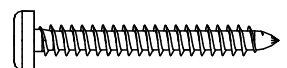
B		02
C		10

! When turning the assembled seat, hold the shelf so that it does not knock.

Step 14

Insert screw (C) into part (11), and (13)



C		04
---	---	----

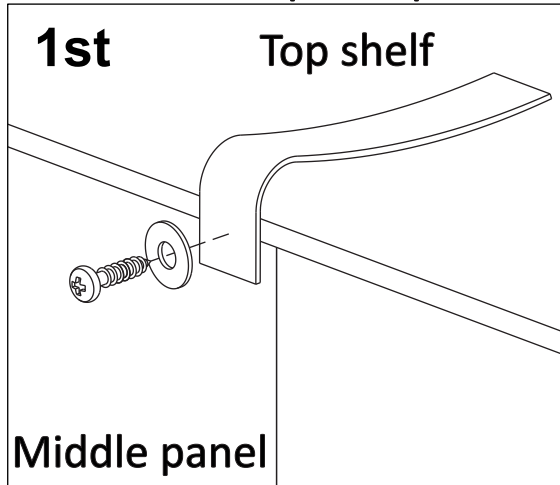
Step 15

WARNING

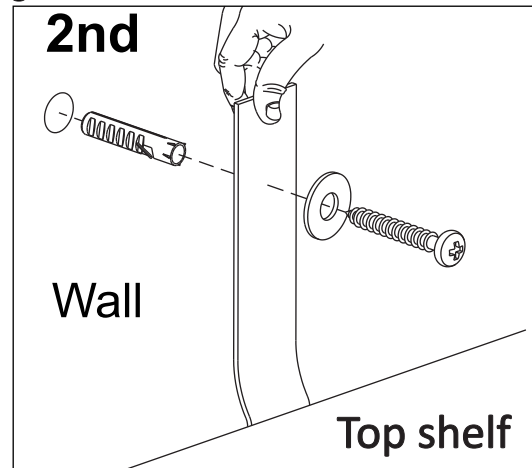
Serious or fatal injuries can occur from furniture tipping over. To prevent the furniture from tipping over we recommend that it is permanently fixed to the wall.

Wall anchor and hardware are included with this product. Please make sure hardware is suitable for your walls before installing, as different wall materials may require different types of anchors.


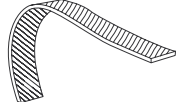
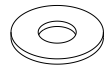


Atach screw into washer, securing wall anchor at the top middle part 7.

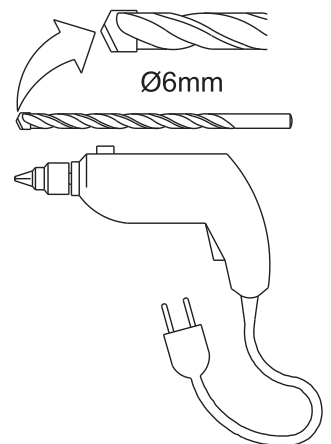
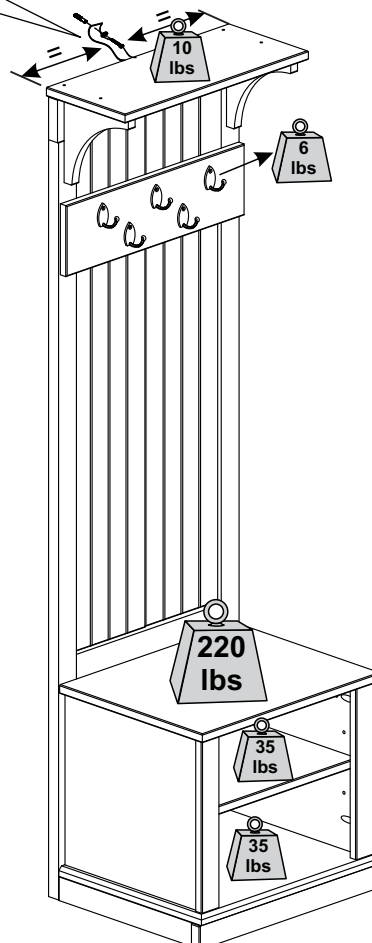


Drill your wall with a 6mm drill (not included) and insert bush, securing wall anchor gift washer and screw in the wall.



Hardware of Wall Anchor Y

 Ø3,5*30mm	01
	01
	02
	01
 Ø3,5*16mm	01



WARNING: CHECK FOR HIDDEN PIPES AND CABLES BEFORE DRILLING.

Name and address information for the manufacturer responsible for the anti-tip hardware and date of production can be found on the label on the back of the furniture.

Final Assembly