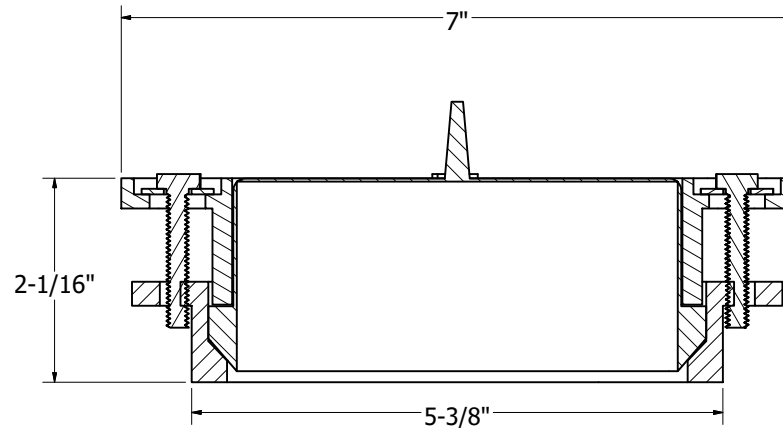
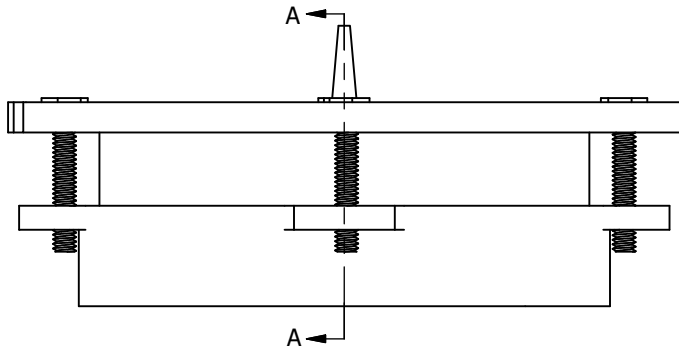
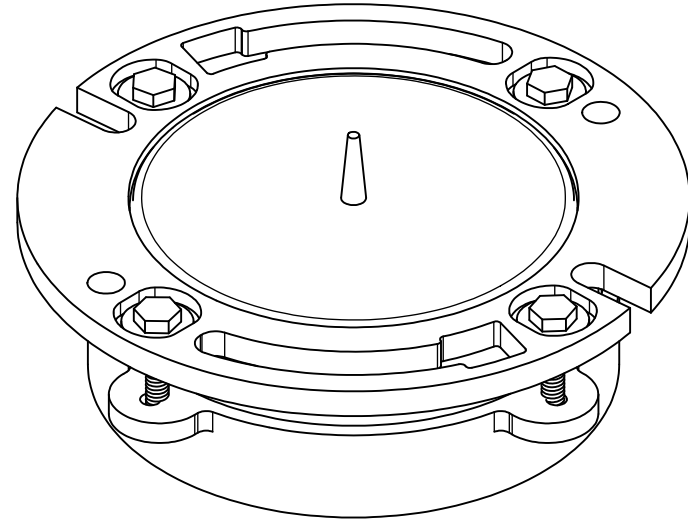
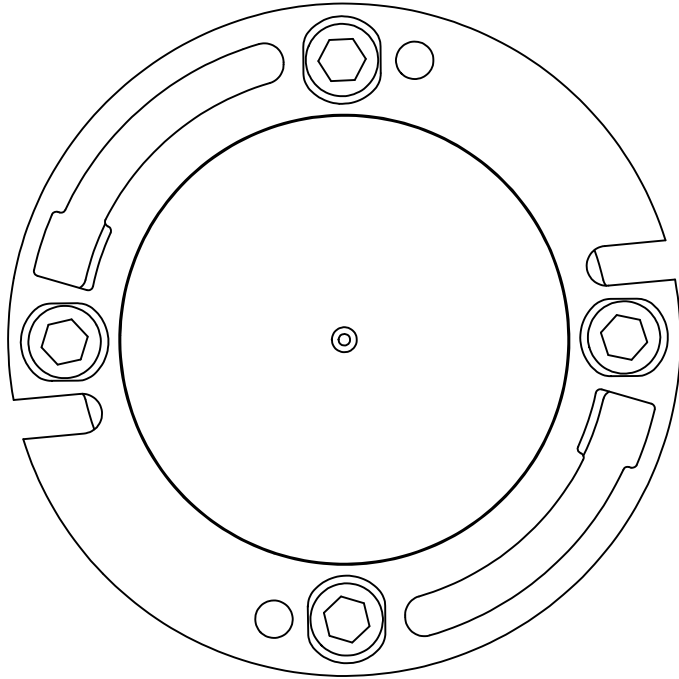


NO CAULK CLOSET FLANGE W/TEST CAP



-SLOTTED -STAINLESS BOLTS AND WASHERS

SECTION A-A  
SCALE 1 : 1



PHONE NUMBER  
**1-800-355-6637**  
FAX NUMBER  
**1-800-462-6991**  
SCALE 1 : 1 DATE 11-01-12  
SHEET 1 OF 1  
DRAWN BY  
ASHLEY KRALOVEC

PART NO.	C40425				
DESCRIPTION	4" X 2" NO CAULK				
CTN QTY	8				