

Freestanding Vanity

INSTALLATION INSTRUCTIONS





PRIOR TO INSTALLATION:

- Inspect product to ensure no damages have occurred while in shipping.
- Observe all plumbing and building codes in accordance with your state and local requirements.
- Floor must be level prior to installation of vanity.
- All dimensions are nominal! Be sure to measure your vanity prior to installation.
- The step-by-step guidelines in the installation instructions are a general reference. Should there be any discrepancies, Swiss Madison cannot be held liable. It is recommended to install all Swiss Madison products by hiring a licensed professional.
- Read installation and maintenance instructions thoroughly before installing. Be sure to use proper tools and always wear proper personal safety accessories for your protection.

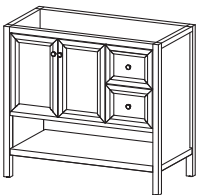
QUESTIONS OR CONCERNS?

Please contact us:

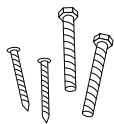
1-434-623-4766

info@swissmadison.com

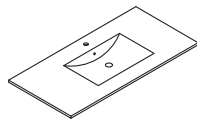
INCLUDED PARTS:



Vanity Base



Hardware



Vanity Sink

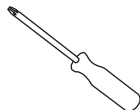
SUGGESTED TOOLS & MATERIALS:



Safety Glasses



Gloves



Screwdrivers



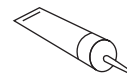
Silicone



Drop Cloth



Level



Adhesive



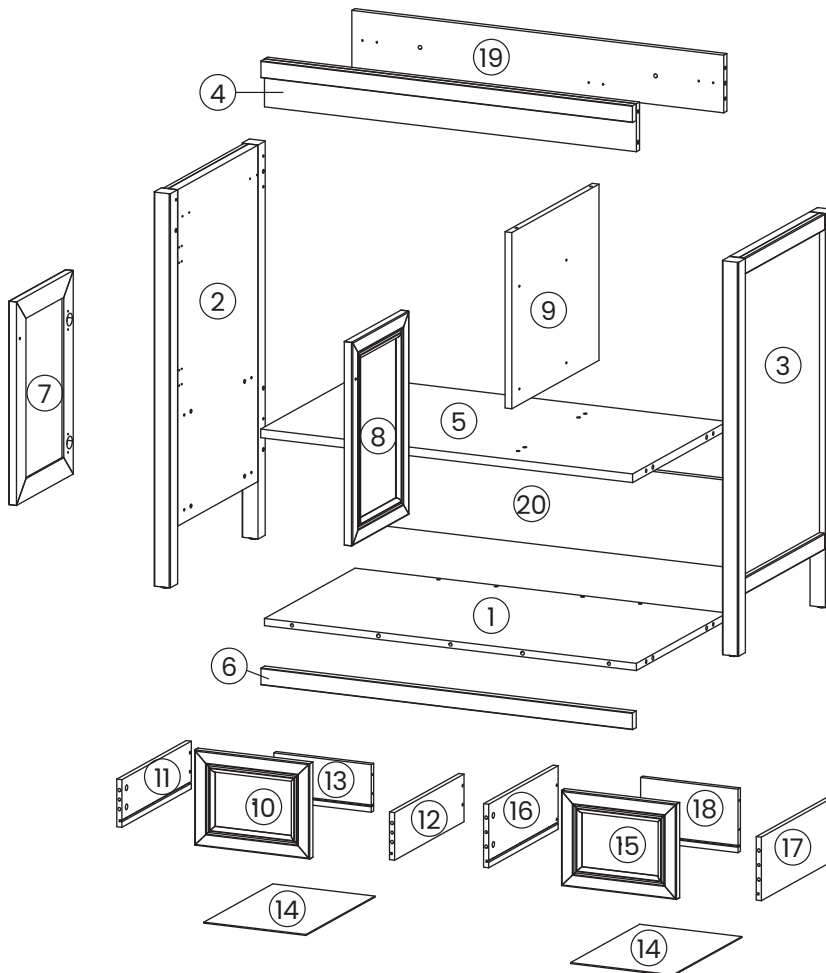
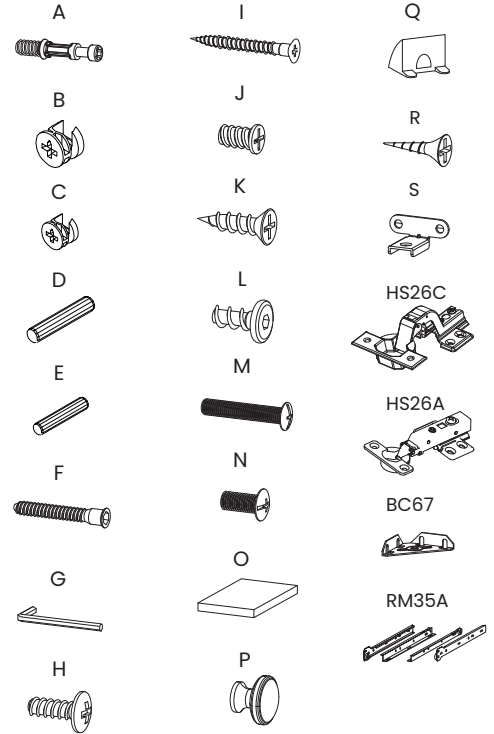
Drill

Parts for Reference:

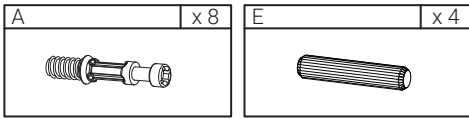
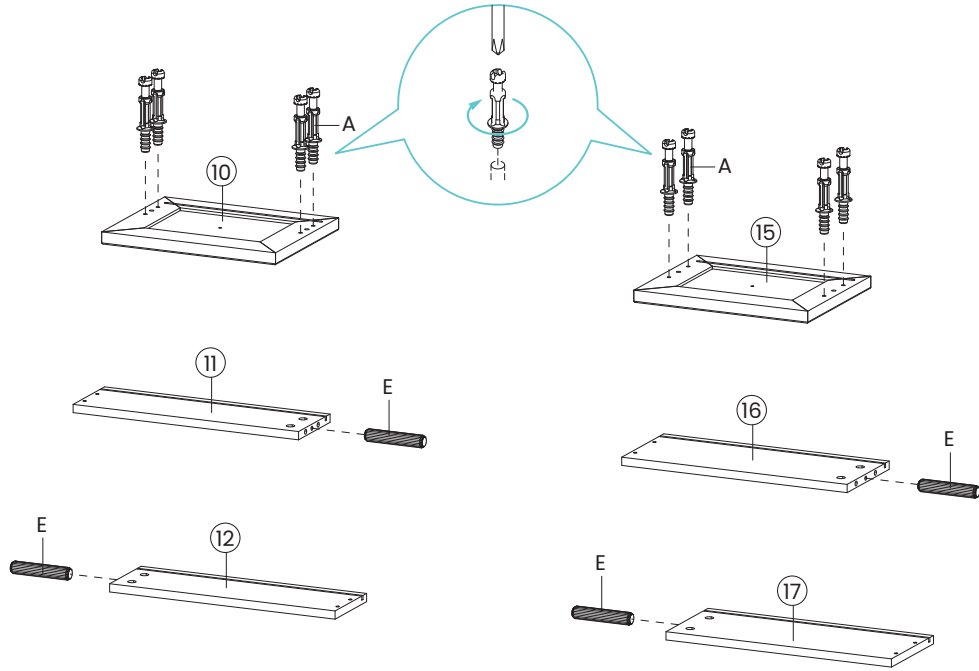
1. Base panel
2. Left side panel
3. Right side panel
4. Front cross bar
5. Fixed Shelf
6. Front Skirt
7. Left Door
8. Right Door
9. Center Panel
10. Front Drawer A
11. Side Drawer Left A
12. Side Drawer Right A
13. Back Drawer A
14. Bottom Drawer (2)
15. Front Drawer B
16. Side Drawer Left B
17. Side Drawer Right B
18. Back Drawer B
19. Rear top bar
20. Rear Bottom bar

Parts for Reference:

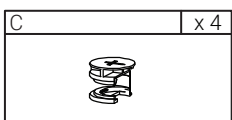
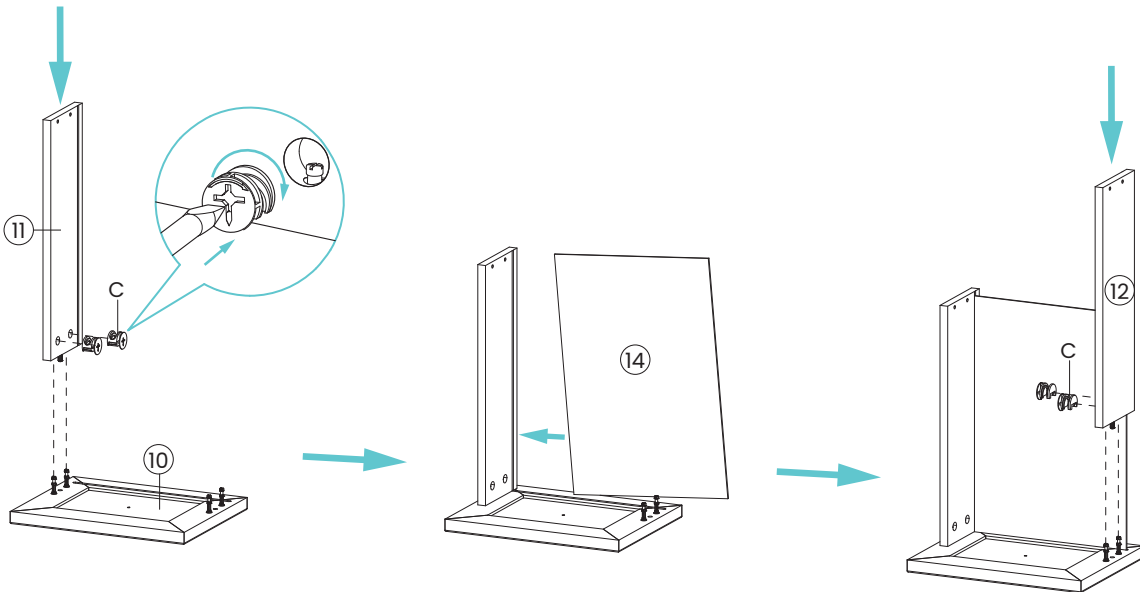
- A. Cam bolt
- B. Cam bolt Big
- C. Cam bolt Small
- D. Dowel Big
- E. Dowel Small
- F: Screw M 7 x 50 mm
- G: Allen key (2)
- H: Screw M 4.5 x 12.5 mm
- I: Screw M 8 x 39 mm
- J: Screw M 6 x 10.5 mm
- K: Screw M 3.5 x 13 mm
- L: Screw M 6.4 x 14 mm
- M: Screw M 4 x 25 mm
- N: Screw M 4 x 12 mm
- O: Foam Pad
- P: Handle
- Q: Wedge
- R: Screw M 3.5 x 15.5 mm
- S: Bracket
- HS26C: Hinge
- HS26A: Hinge
- BC67: Corner Brace
- RM35S: Drawer Runner



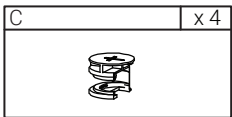
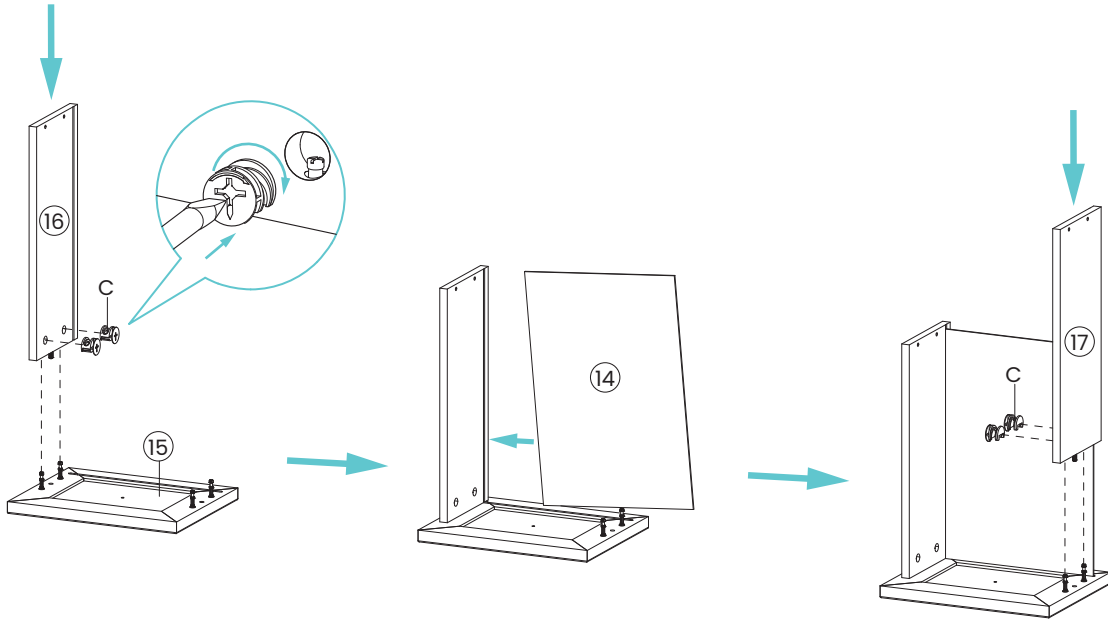
1 Prepare Drawer



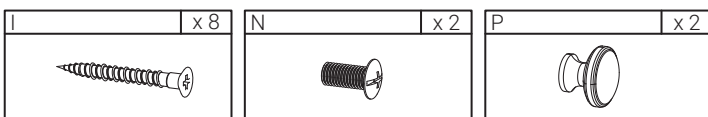
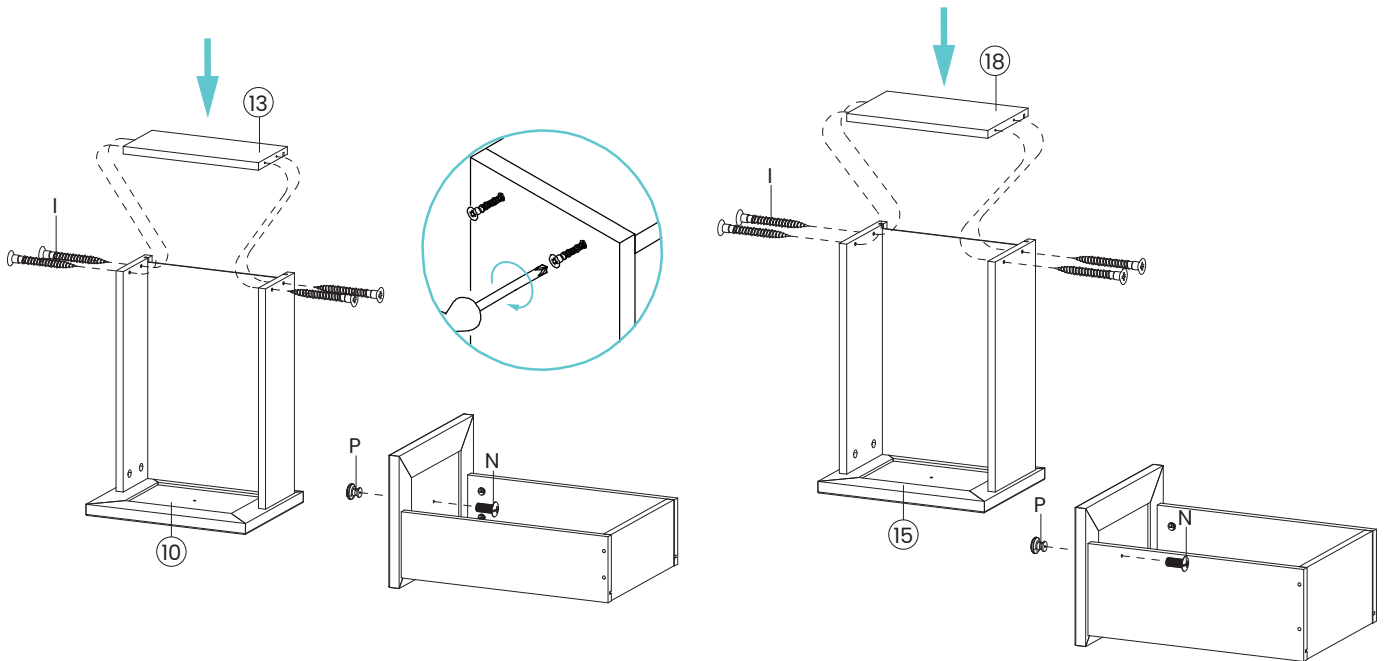
2 Assemble Drawer



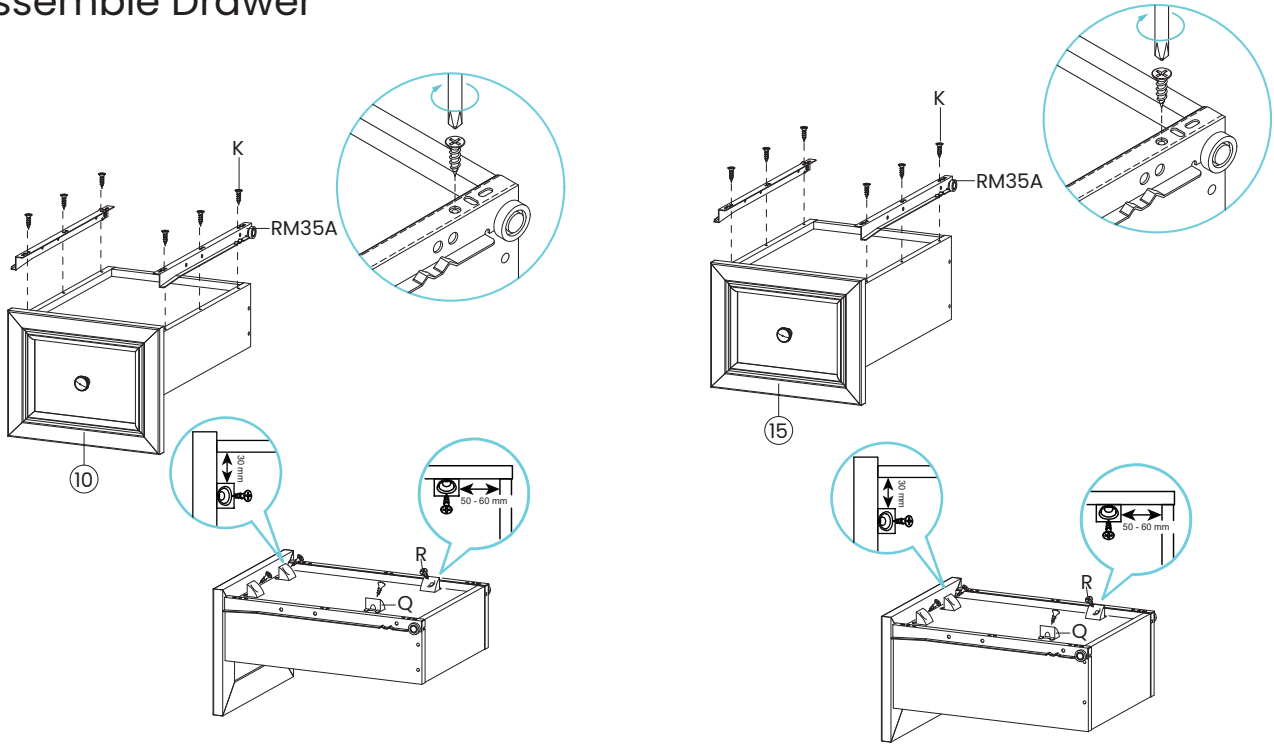
3 Assemble Drawer



4 Assemble Drawer

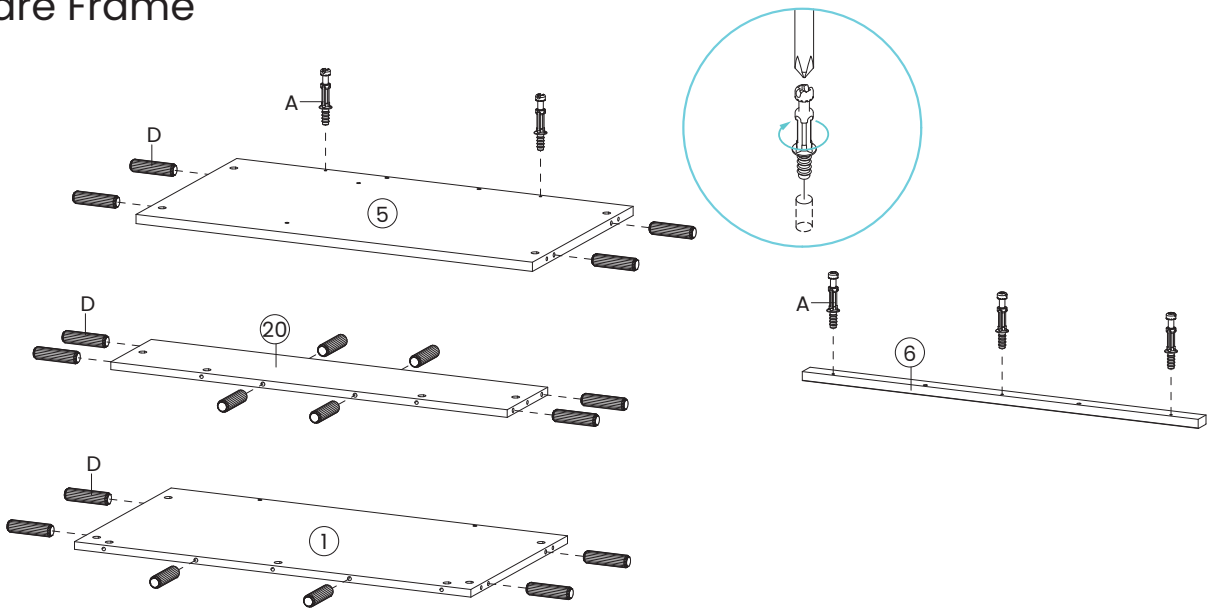


5 Assemble Drawer



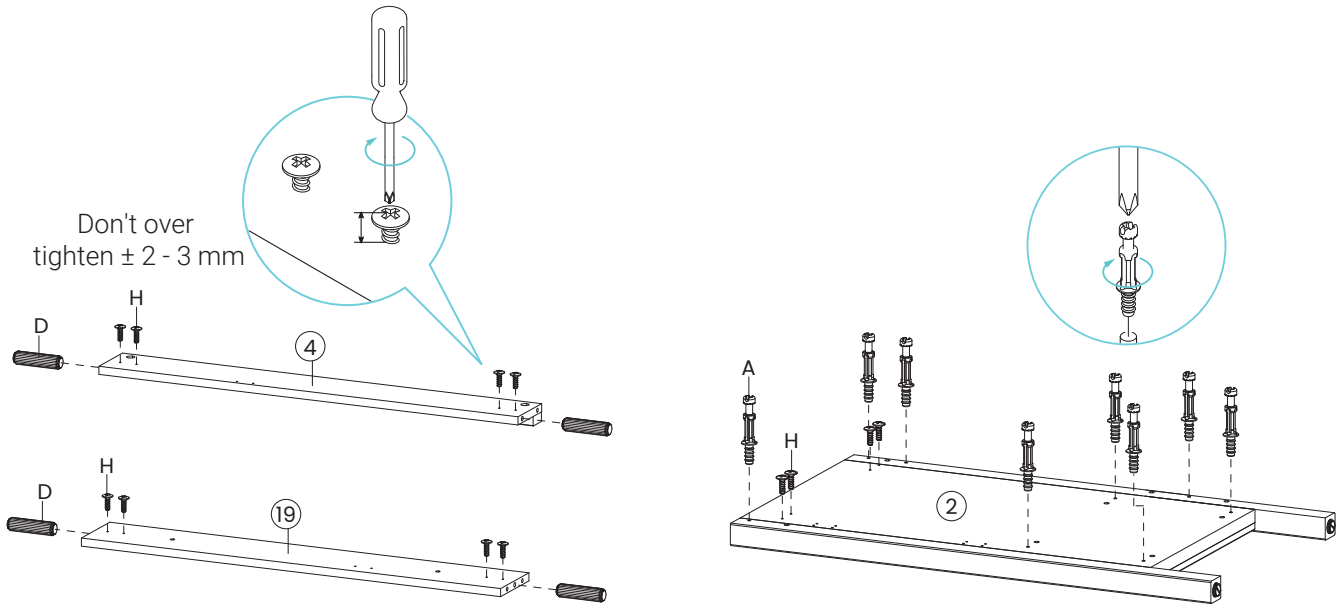
K	x 12	Q	x 8	R	x 8	RM35A	x 2




6 Prepare Frame



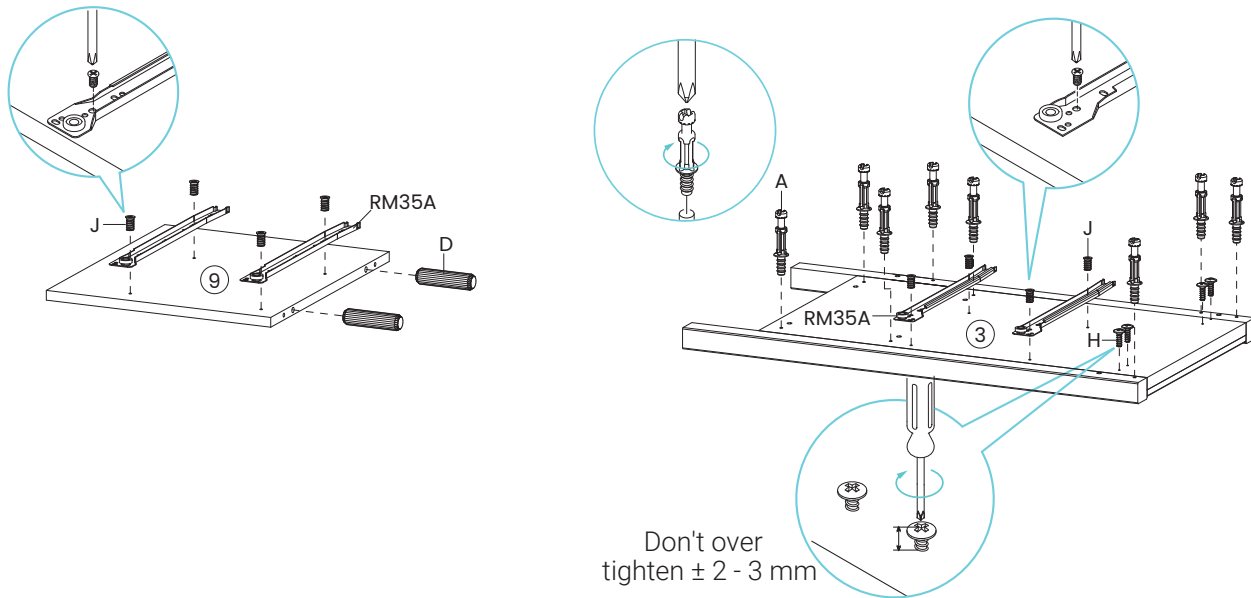
A	x 5	D	x 18





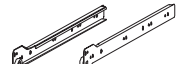
7 Prepare Frame & Side panel



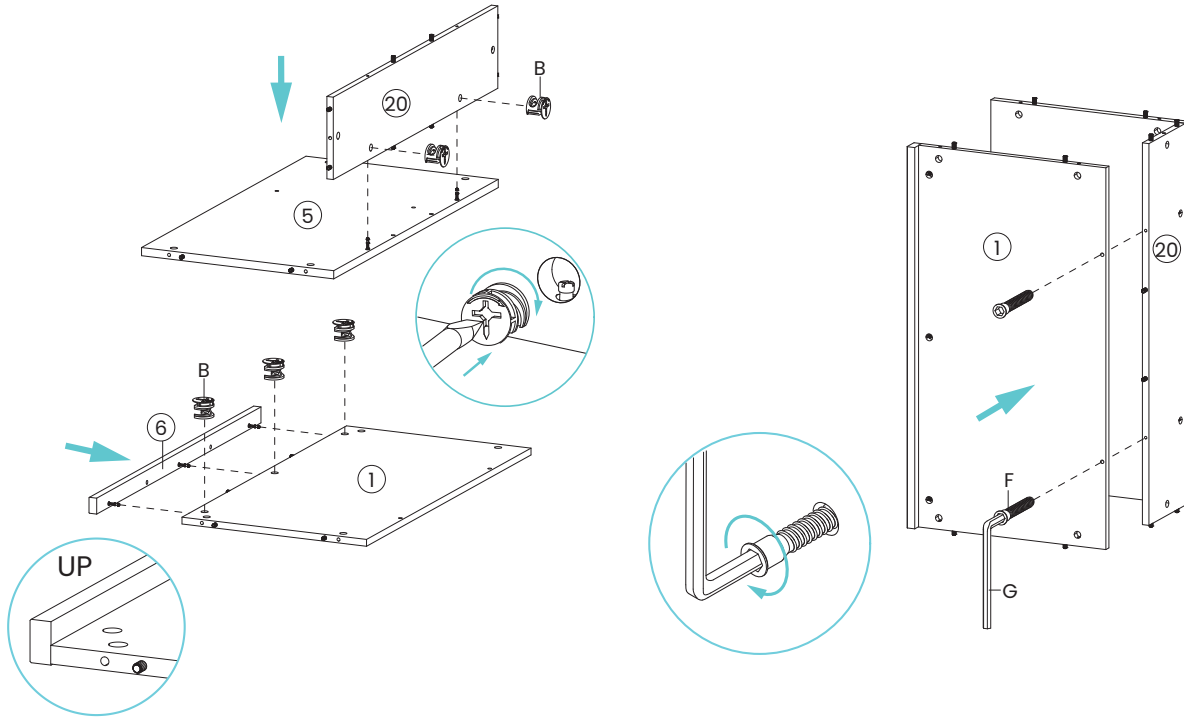
A	x 8	D	x 4	H	x 12
					

8 Prepare Frame & Side panel



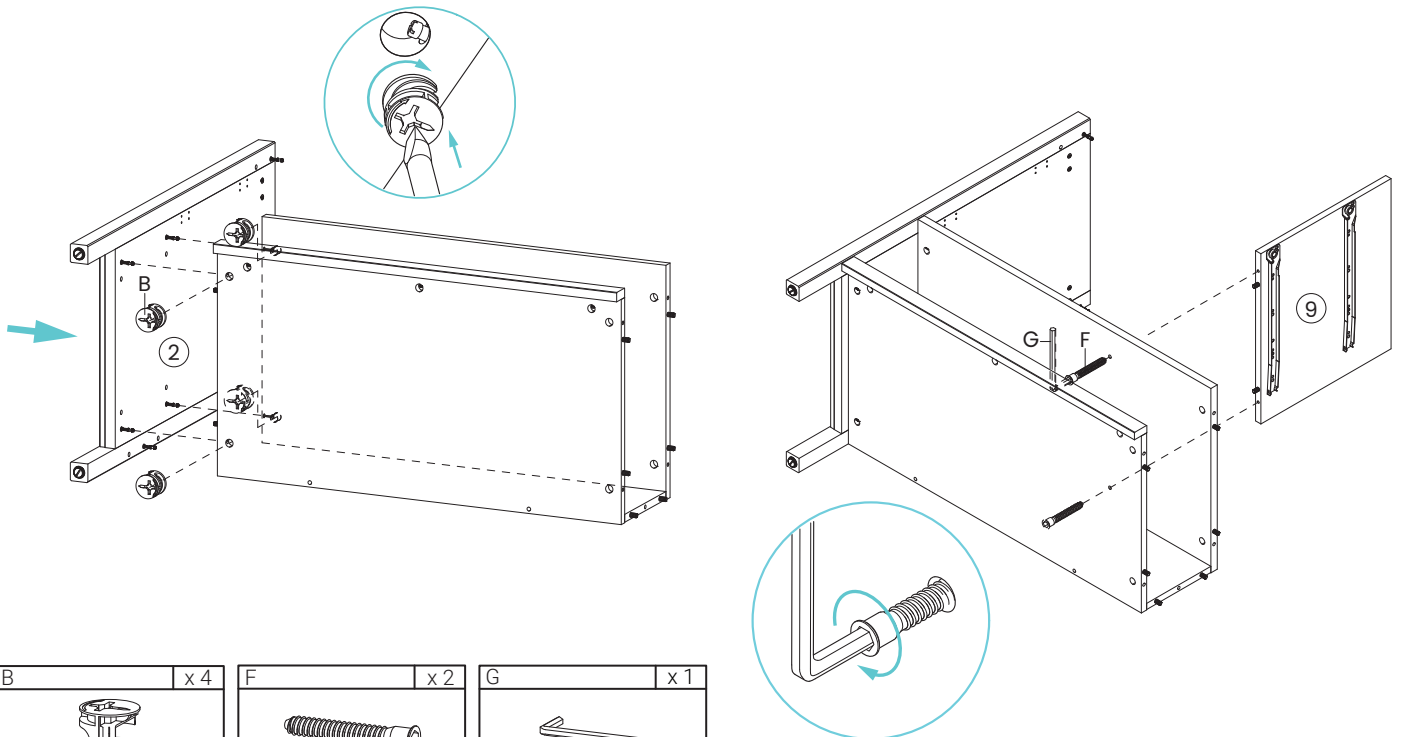
A	x 8	D	x 2	H	x 4	J	x 8	RM35A	x 2
									

9 Prepare Frame & Base panel



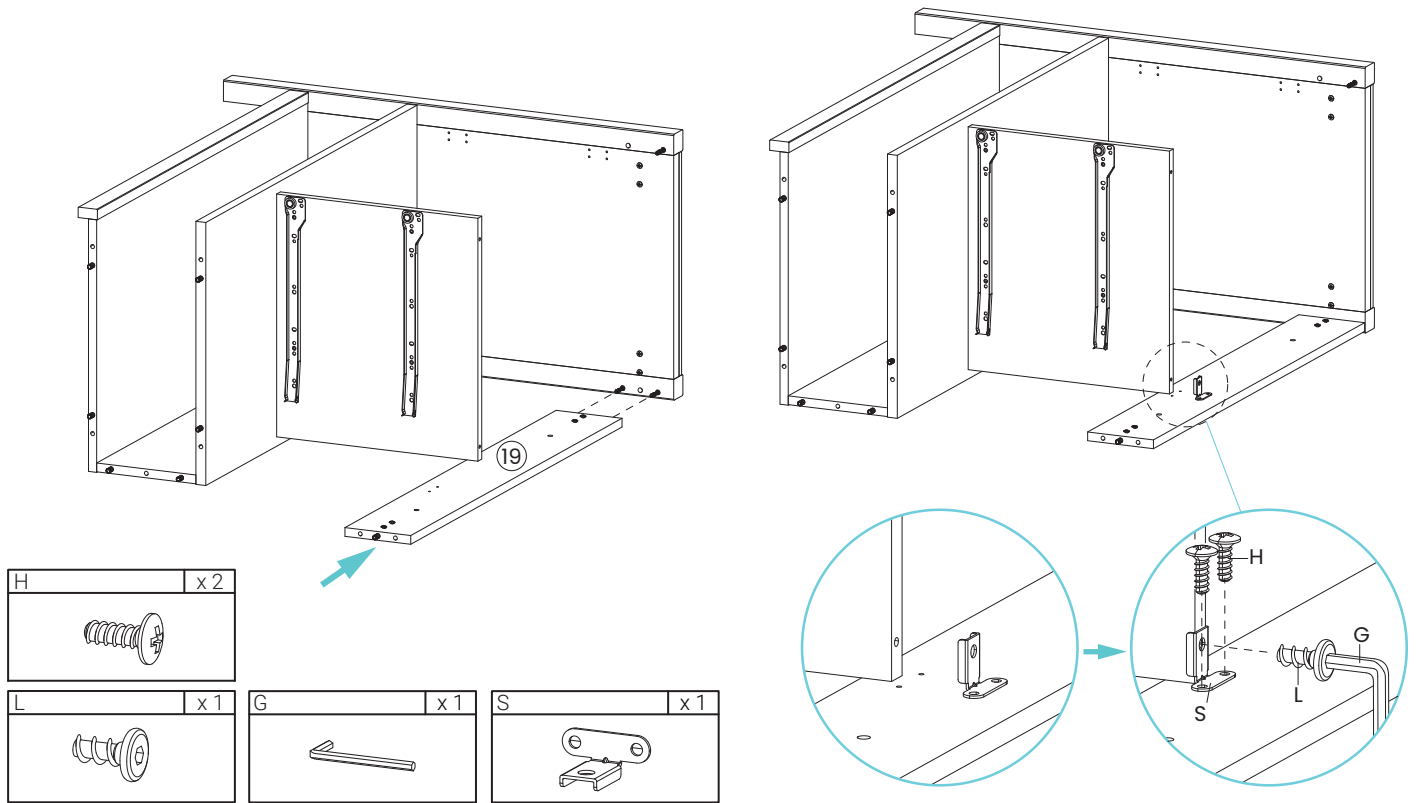
B	x5	F	x2	G	x1

10 Assemble Frame & Side Panel

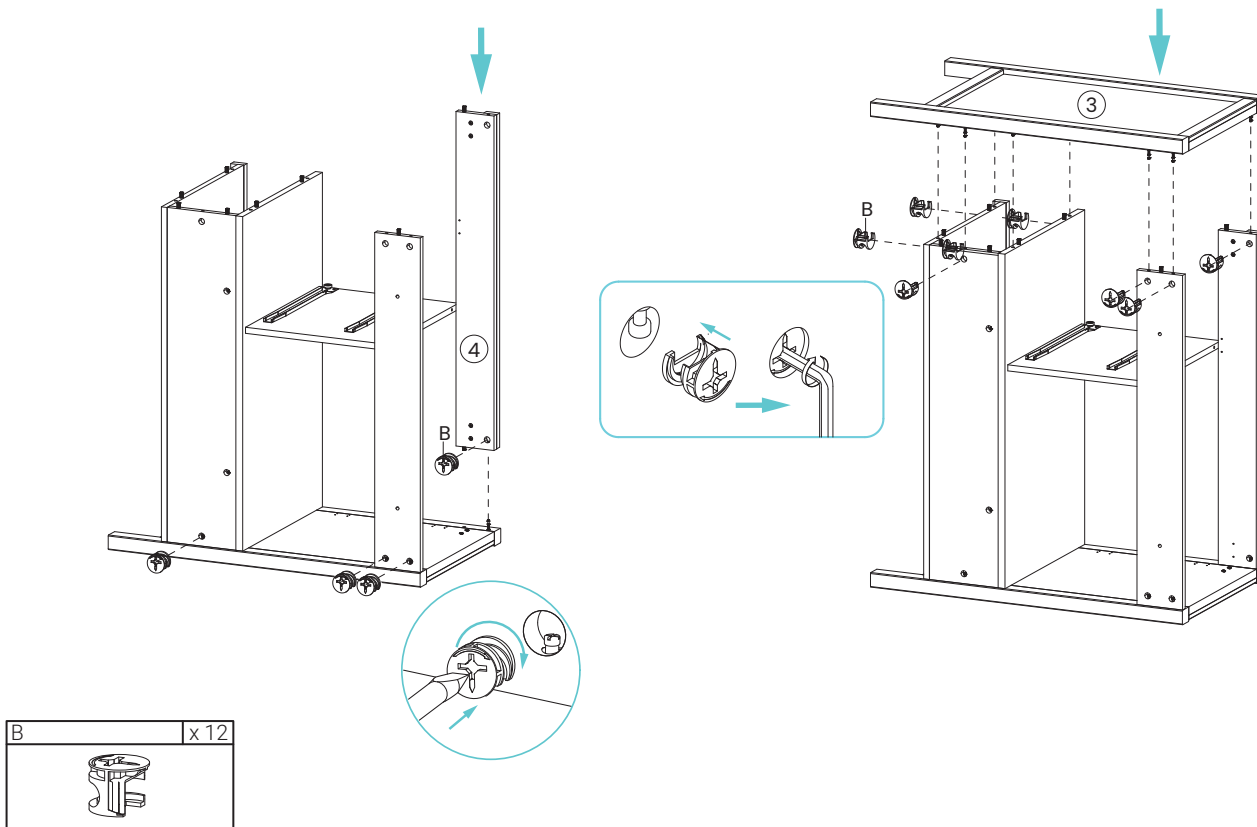


B	x4	F	x2	G	x1

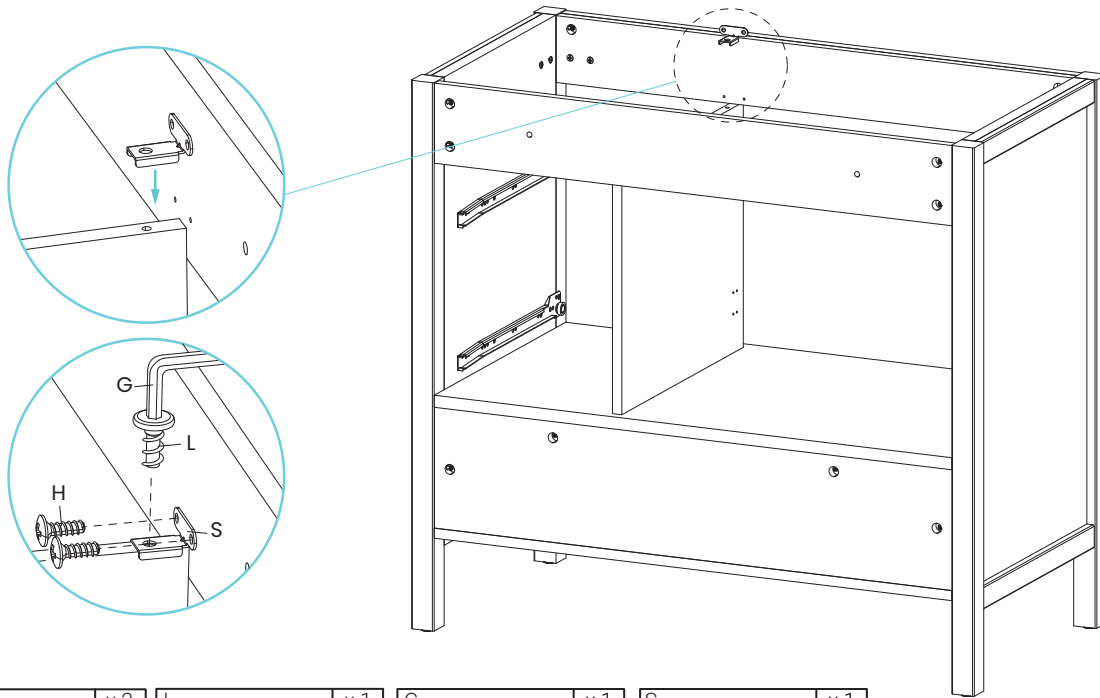
11 Assemble Frame



12 Assemble Frame & Side Panel

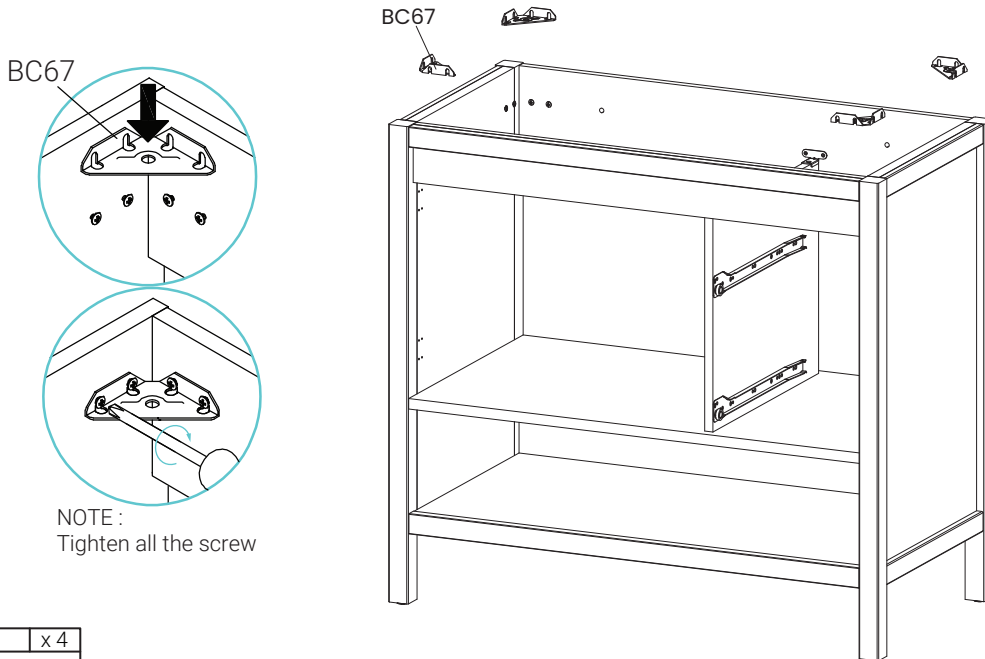


13 Attach Bracket & Screw



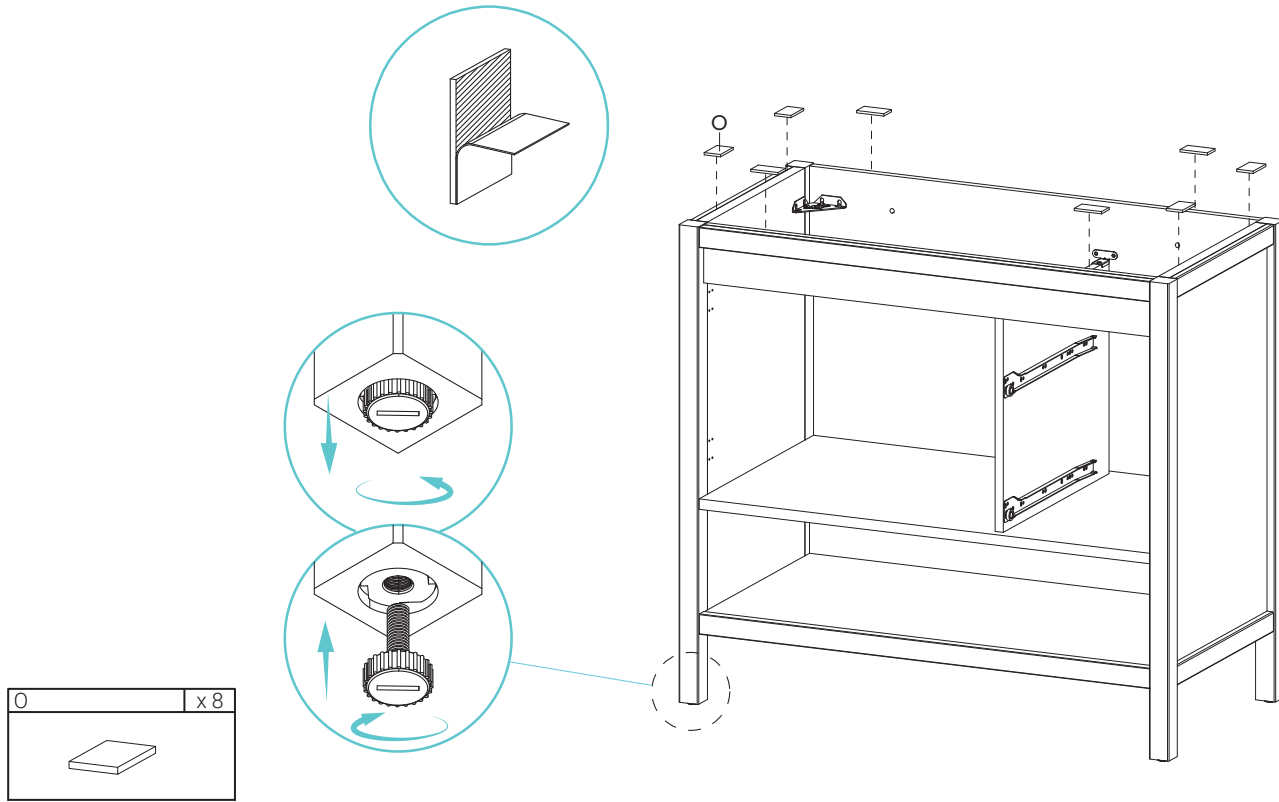
H	x 2	L	x 1	G	x 1	S	x 1

14 Prepare Cabinet for Installation

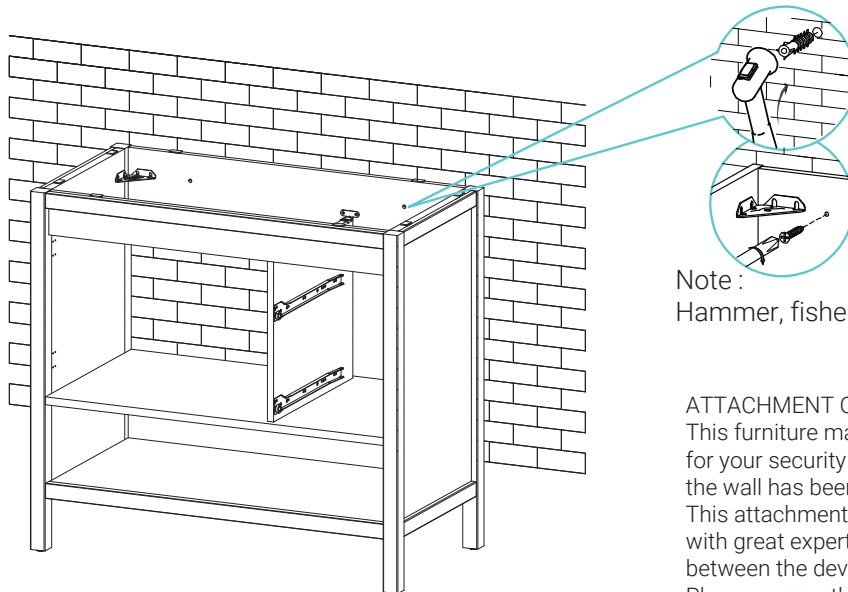


BC67	x 4

15 Attach the Foam pad and Set the leg



16 Secure Vanity to Wall

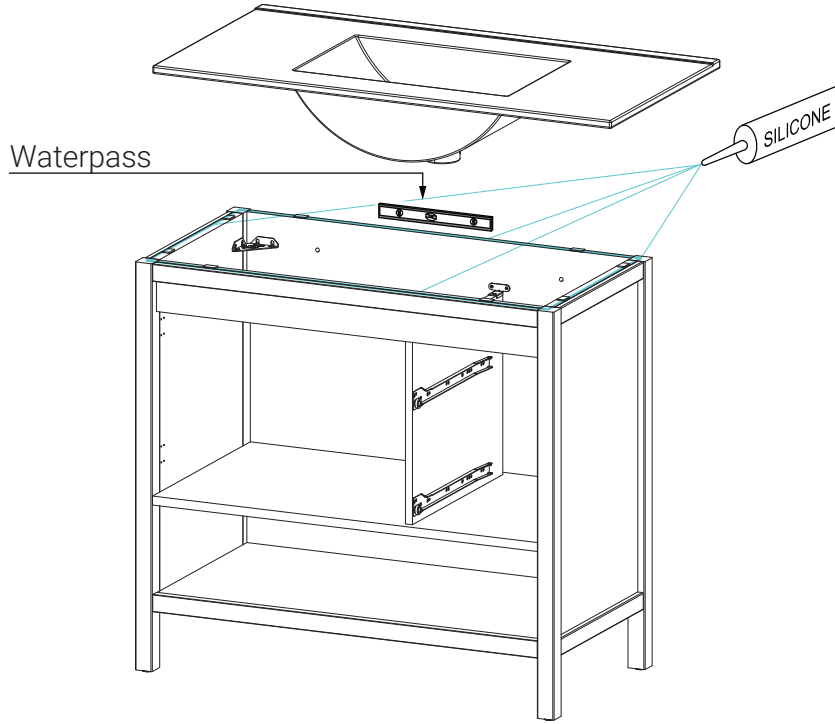


Note :
Hammer, fisher and screw are not included

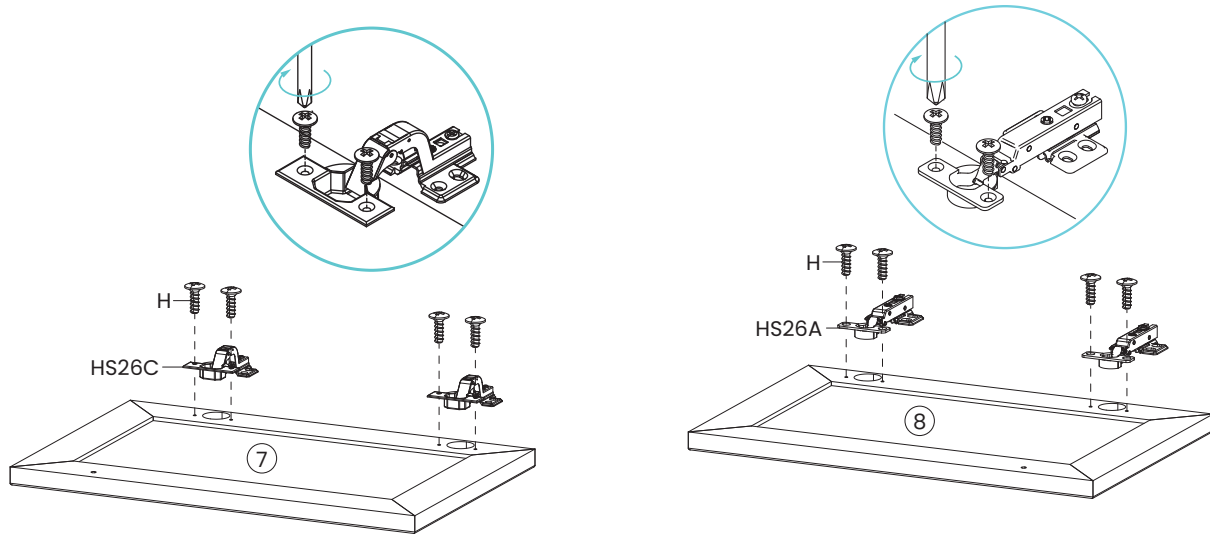
ATTACHMENT OF FURNITURE
This furniture may represent a danger for your security if it's attachment on the wall has been done in an incorrect way. This attachment must be done by a person with great expertise who will make sure adequacy between the device of fixing and the wall. Please source the right fitting according to the wall type. For your safety, it is imperative to fix your furniture to the wall

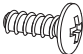

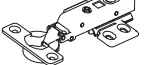
17 Vanity Top Installation

Apply a thin bead of silicone compound around the vanity base and set the vanity top carefully in place. Remove any excess silicone compound with a wet rag

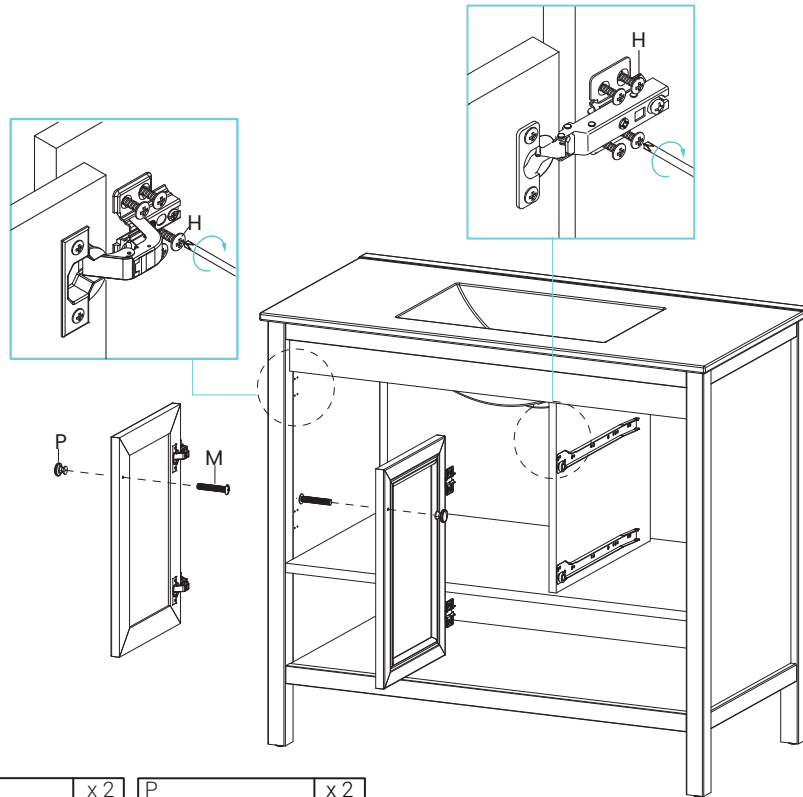


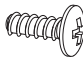


18 Attach Doors



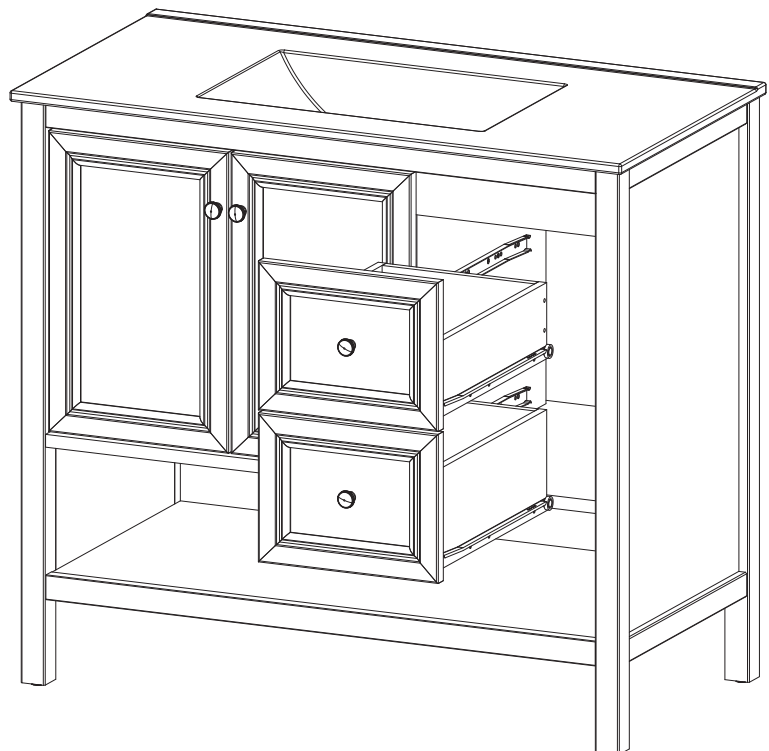
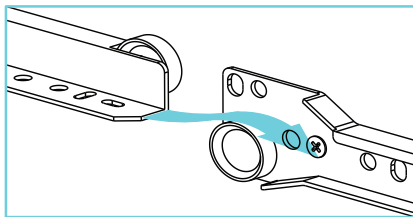
H	x 8	HS26C	x 2	HS26A	x 2
					

19 Attach Doors



H	x 16	M	x 2	P	x 2
					

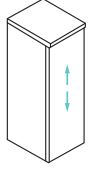
20 Attach Drawer



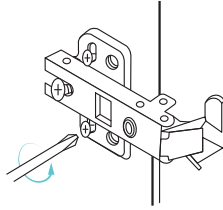
Hinge/Door Adjustment and Realignment

· If adjustment or realignment is needed, follow the instructions provided in the following chart.

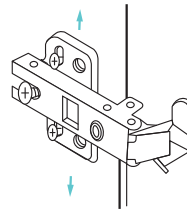
Vertical adjustment



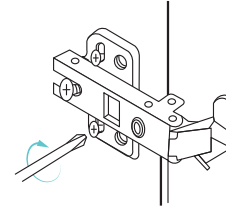
1. Loosen screws



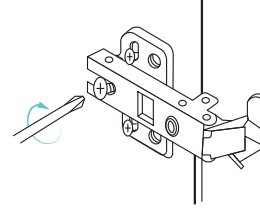
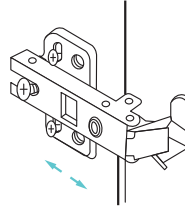
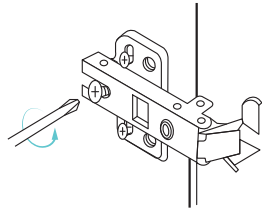
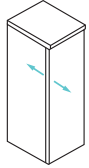
2. Adjust hinge



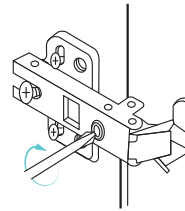
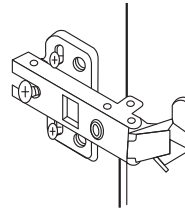
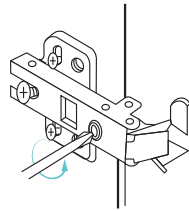
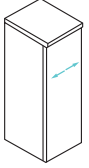
3. Tighten screws



Horizontal adjustment



Door gap adjustment



ONE-YEAR LIMITED WARRANTY

Swiss Madison® products are made with quality materials and excellent craftsmanship to provide our customers with beautiful, durable, long-lasting products. Should there be any defects in materials or craftsmanship under regular use that are discovered within the first year after delivery, Swiss Madison® will provide replacement parts at no charge, or at its discretion, replace any product or part of the product that is deemed defective, under normal installation, use, service or maintenance. This warranty applies only to the original purchaser. Proof of purchase must be submitted with any warranty claim.

Swiss Madison® recommends that all installations of Swiss Madison® products to be conducted by a licensed plumber or contractor. Swiss Madison® will not be held responsible for any damage or product failure due to improper installation, misuse, or failure to utilize a licensed plumber or contractor for installation. Swiss Madison® is not responsible for any installation or removal costs.

THIS ONE-YEAR LIMITED WARRANTY WILL BE VOIDED IF:

- The installation instructions were not followed by the installer
- The product has been moved from its initial place of installation
- The product has in any way been modified from its original condition
- The product has been subjected to improper maintenance, abuse, misuse, excessive use of chemicals, accidents, or other damages

Swiss Madison® makes no warranty that its products comply with any local building or plumbing codes. It is the consumer's responsibility and obligation to determine local code compliance prior to and during installation.

Swiss Madison® is not responsible for any special, incidental or consequential damages associated with the installation, replacement, return or use of the original purchaser's product. This includes, but is not limited to: freight costs, labor, travel time, lost profit, home damages and other contingent liabilities and costs (including, without limitation, costs associated with 'professionals' or 'experts', investigations, audits, analyses, attorneys and any other professional/hired services). Some states do not allow the exclusion or limitation of incidental or consequential damages, so the above limitation or exclusion may not apply to you.

The Swiss Madison® warranty is a comprehensive and explicit limit of liability. All other warranties are hereby disclaimed and waived.

QUESTIONS OR CONCERNS? Please contact us directly at: 1-434-MADISON (623-4766)



WARNING:

Contents of your order may contain sharp and possibly other harmful pieces and may cause hazard to children and adults. Swiss Madison® is not responsible in any way for personal injuries or damages.