

# HYDROTOOLS™

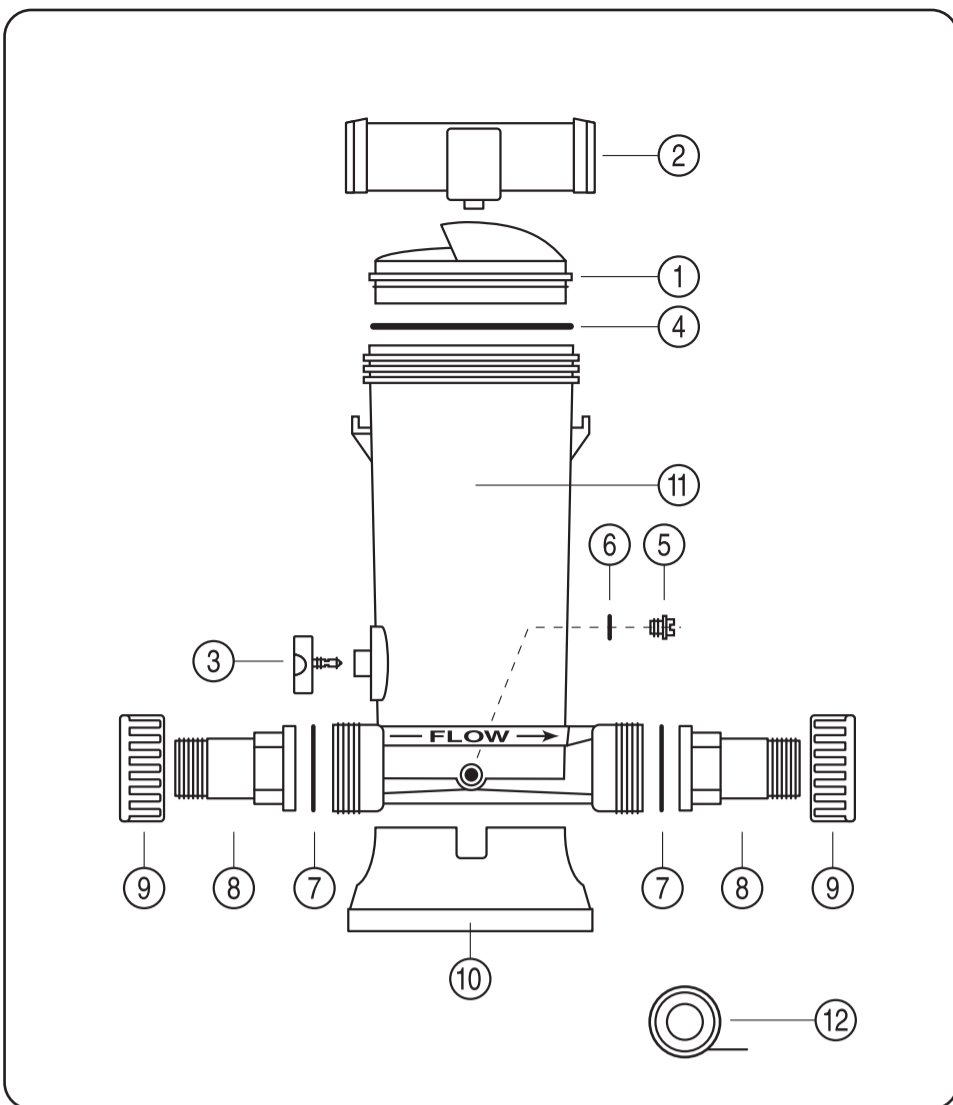
## Swimline®

### AUTOMATIC CHLORINE FEEDER



### OWNER'S GUIDE

#### INSTALLATION AND OPERATING INSTRUCTIONS



#### PARTS LIST

NUMBER	DESCRIPTION	NUMBER	DESCRIPTION
1	Cover	7	(2) "O" Ring
2	Cover Ring	8	(2) 1-1/2" Pipe Adapter
3	Control Valve Assembly	9	(2) Lock Nut
4	Cover "O" Ring	10	Chlorinator Base
5	Drain Plug	11	Chlorinator Body
6	Drain Gasket	12	Teflon Tape

WE RESERVE THE RIGHT TO CHANGE ALL OR PART OF THE FEATURES OF THE ARTICLES OR CONTENTS OF THIS DOCUMENT WITHOUT PRIOR NOTICE.

Your chlorine feeder is designed for installation in the return line to your pool or spa, next to your filter system. It uses slow-dissolving Trichloro-S-Triazinetrione (Tri-Chlor) or Bromochloro-5,5 dimethylhydantoin (Bromine) large or small tablets (or sticks) **ONLY**.

No other type of chemical should ever be used in your chlorine feeder.

By regulating the dial type control valve between MAX (more chlorine) and OFF (less chlorine) and the amount of Tri-Chlor tablets you place in the feeder, you can easily adjust the chlorine feed rate that is necessary to maintain the proper chlorine residual for your pool.

#### CAUTION-READ CAREFULLY

Use only slow dissolving Trichloro-S-Triazinetrione (Tri-Chlor) or Bromochloro-5,5 dimethylhydantoin (Bromine) sticks/tablets.

**NEVER MIX CHEMICALS, fire or explosion may result.**

**Always use rubber gloves & eye protection when handling pool chemicals!**

Never remove top cover while chemical feeder is in operation. Shut off pump and valves before opening feeder.

Avoid breathing fumes when opening cover. Be sure pool return line is open except when servicing to prevent build-up of gas in chlorinator.

Always read label and carefully follow chlorine manufacturer's and dealer's recommendations for proper water conditioning and daily chlorine requirements for your particular pool and area.

Do not leave chlorine in feeder for long periods of inactivity with no water flowing through the feeder, i.e., vacation. Remove unused chlorine following above safety procedures!

#### INSTALLATION IN LINE

1. Install the chlorine feeder after the heater. If no heater, install after the filter.
2. Use Teflon Tape on all male threaded fittings and O-Ring lubricant on all O-Rings.
3. Connect (1) 1-1/2" pipe adapter (#8) to "IN" side of Chlorinator and (1) 1-1/2" pipe adapter (#8) to "OUT" side of Chlorinator.  
**Do not overtighten.**
4. As an alternative, you may also use a standard 1-1/2" hose fitting connector to the internally threaded return line. **Do not overtighten.**  
Use clamps on all hose fittings. (not furnished)
5. See Illustration (Figure 1).

#### DIRECTIONS FOR USE

Before start up of your chlorine feeder, your pool/spa should be properly conditioned and have a chlorine residual of approximately 1.0 to 1.5 ppm. Follow dealer and chemical manufacturer's directions and instructions.

The chlorine demand for pools and spas varies based on use, temperature, sunlight, etc.. Check chlorine residual daily and adjust the dial valve for more or less chlorine. Increasing the quantity of chlorine in your feeder will extend the time between recharging your feeder with more chlorine.

##### TO OPEN

1. Shut off pump and turn Dial Control Valve to OFF. Shut off any other in-line valves to prevent back flow, if applicable. Wait one minute.
2. Press Cover Ring security system and turn counter-clockwise.  
**DO NOT INHALE FUMES FROM CHLORINATOR.**

##### TO CLOSE

1. Press Cover, with O-Ring seal, firmly into body. Engage Cover Ring threads and turn clockwise to stop lug.
2. Place Dial Control Valve to desired setting. Open in-line valves and re-start pump.

#### WINTERIZING

Where freezing temperatures can be expected, drain all water from feeder and remove Drain Plug. Carefully remove undissolved sticks and tablets, and rinse out chlorinator thoroughly with water.

Replace Cover and Drain Plug and twist to engage 1-1/2 turns.

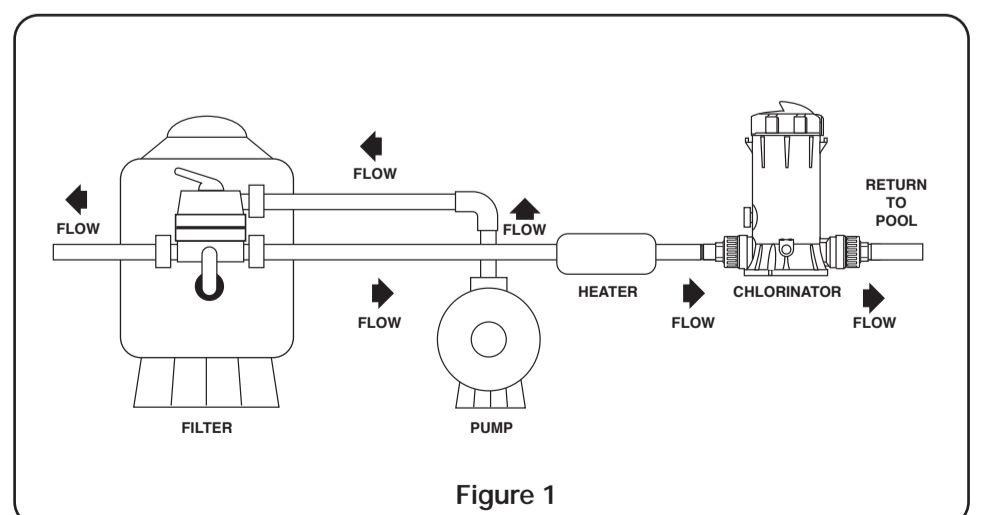


Figure 1