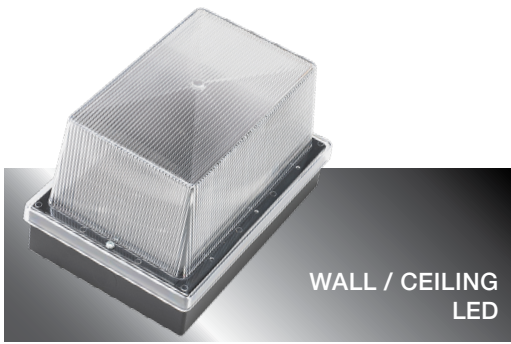


BLOCKADE LVP58

Vandal Resistant

LVP58 Series LED



Fixture Type	Date
Job Name	Approved By
Catalog Number	

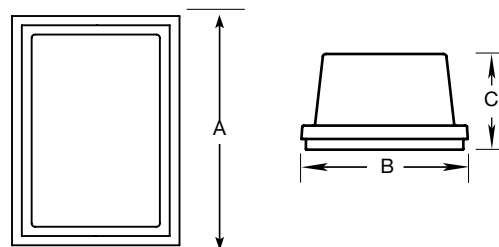
SPECIFICATIONS



Description	The Blockade LVP58 series provides vandal resistant construction. These fixtures feature our lifetime warranty against vandalism and have been proven in thousands of installations over decades of use
Housing	Aluminum housing continuously welded to provide watertight construction. Finished with polyester powder coat.
Lens	One piece injection molded UV stabilized prismatic polycarbonate with minimum 1/8" wall thickness. Secured to housing with (2) stainless steel TORX® head screws.
Drivers	Dimming to 10% or Non-Dimming Driver is also available.
LED	Samsung LM561B+ series @ 2700K, 3000K, 3500K, 4000K, or 5000K and 82 CRI wired in parallel-series. L 70 projected life of over 130,000 hours at 50°C.
Buy American Act	Luminaire LED, LLC products are assembled in the USA. Our products meet the Buy America(n) government procurement requirements under FAR, DFARS, and DOT regulations. Please refer to www.acuitybrands.com/buy-american for additional information.
UL Listing	U.L., C.UL. Damp Location Listing standard, Wet Location Listing optional.
Warranty	Lifetime warranty, Luminaire LED incorporated will repair or replace any fixture damaged due to vandalism for the lifetime of the installation. 10-year warranty on LED boards against operational defects. Tested in accordance with LM-80. This is the only warranty provided and no other statements in this specification sheet create any warranty of any kind. All other express and implied warranties are disclaimed.
Note	Actual performance may differ as a result of end-user environment and application. All values are design or typical values, measured under laboratory conditions at 25 °C. Specifications subject to change without notice.

DIMENSIONAL DATA

	A	B	C
LVP58 no Trim	8.55	5.95	5.50
LPL58 with Trim	8.69	6.25	6.00
WVP58 with Trim	8.75	6.31	6.00
WVPH58 with Trim	6.19	9.00	6.00



ORDERING INFORMATION

Example: LVP58 LPL MIN10 15W 27K 120 CLP WHT

Series*	Trim	Drivers*	Wattage* (Nominal)	CCT*	Voltage*	Lens*	Finish*
LVP58 Vandal Resistant Canopy 5" x 8" Luminaire	LPL Eyelid trim	MIN1 Dimming to 1%	15W	27K 2700K	120 120 Volt	CLP Clear Prismatic	BLK Black
	WVP Visor	MIN10 Dimming to 10%		30K 3000K	277 277 Volt		WHT White
	WVPH Horizontal Visor	NODIM Non-Dimming Driver		35K 3500K	MVOLT 120-277 Volt	OP Opal	BRZ Bronze
				40K 4000K	347 ^{1,2} 347 Volt		GRY Gray
				50K 5000K			

*Required

OPTIONS

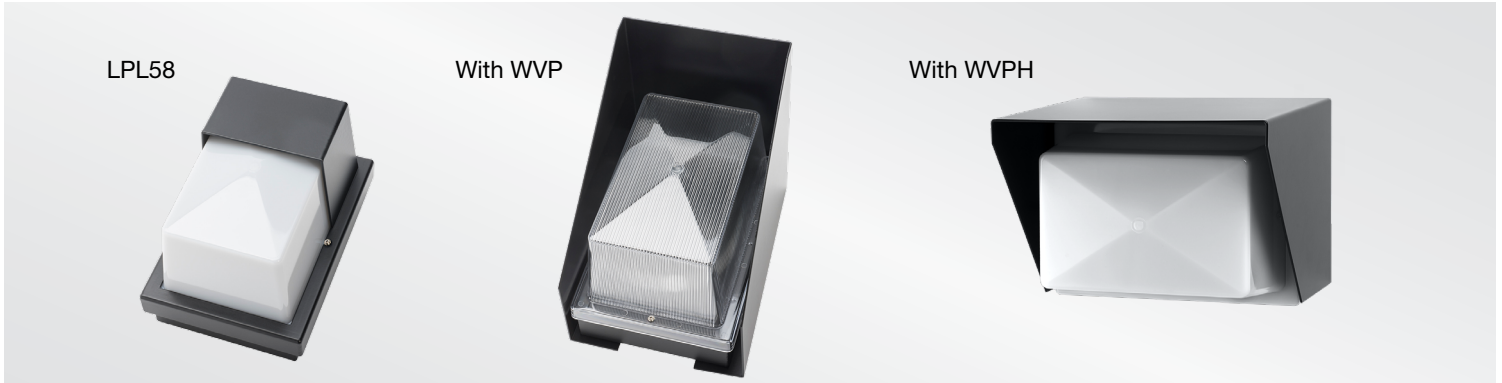
Environment	Fusing	Photocell	Switch	Hardware
WL Wet Location	GLR ³ Fuse and Fuse Holder	PC ³ Photoelectric Switch	SW ⁴ Toggle Switch	PHSC Phillips Head instead of TORX® head

Ordering Notes

1. Not available with MIN10.
2. Not available with GLR.
3. Not available with MVOLT.
4. Only available with 120.

Accessories: Order as separate catalog number.	
TXSD	TORX® Screwdriver Bit
<i>Initial shipment includes one (1) TXSD per fixture</i>	

VISOR OPTIONS



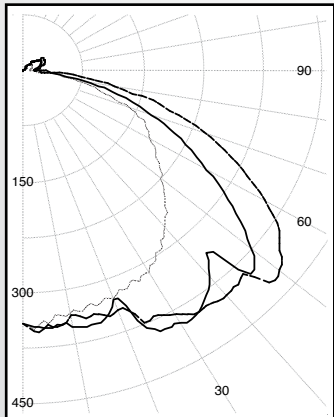
PHOTOMETRIC DATA

Model	Watts	Input Watts	Delivered Lumens		Delivered Lumens		Delivered Lumens		Delivered Lumens		Delivered Lumens	
			Clear	Opal	Clear	Opal	Clear	Opal	Clear	Opal	Clear	Opal
			2700K		3000K		3500K		4000K		5000K	
LVP58	15W	13.5W	1685	1184	1703	1197	1739	1221	1793	1260	1846	1298
LPL Trim	15W	13.5W	1169	822	1182	831	1207	848	1245	875	1282	901

PHOTOMETRIC DATA

MODEL LVP58 15W 40K CLP

Delivered Lumens: 1,660 Lumens



IES FILE: LVP58 15W 40K CLP

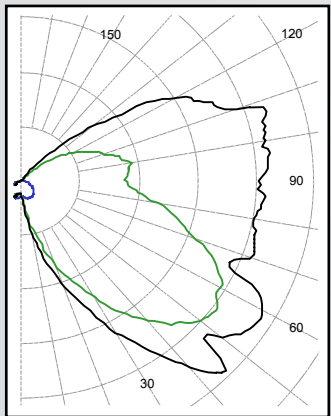
Total Power: 13.5W

Testing was performed in accordance with IES LM-79-08

Zone	Lumens	% Lamps
0 - 30	296	17.8
0 - 40	527	31.8
0 - 60	1100	66.3
60 - 90	458	27.6
0 - 90	1557	93.8
90 -180	103	6.2
0 - 180	1660	100.0

MODEL LVP58WVP 15W 40K CLP

Delivered Lumens: 1,118 Lumens



IES FILE: LVP58WVP 15W 40K CLP

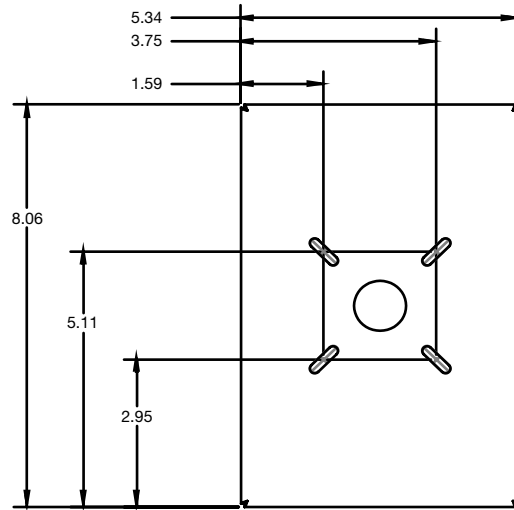
Total Power: 14.2W

Testing was performed in accordance with IES LM-79-08

Zone	Lumens	% Lamps
0 - 30	72	6.1
0 - 40	163	13.7
0 - 60	450	37.9
60 - 90	390	32.8
0 - 90	840	70.7
90 -180	348	29.3
0 - 180	1188	100.0

MOUNTING PLATE DETAILS

A/B Housing



Knockout Detail

