

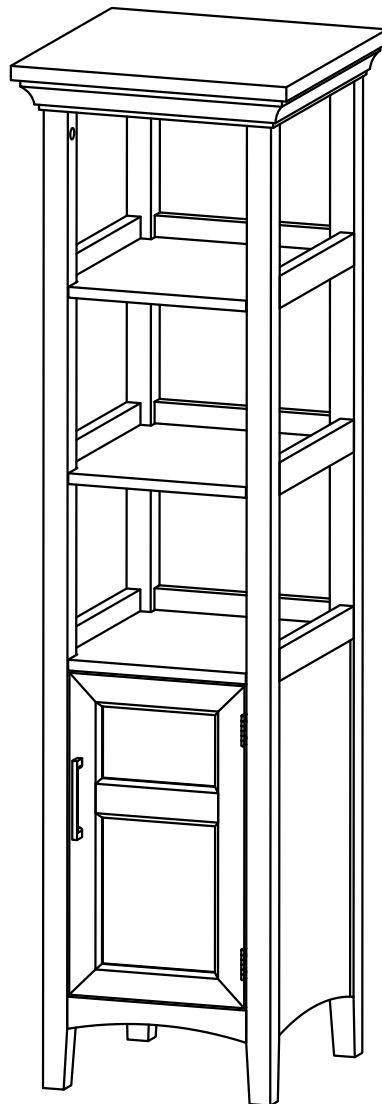
# SIMPLIHOME®

## Avington / Mia / Hayes

---

Bath Storage Tower

Model # AXCBSAVN05-WH



# SIMPLIHOME

## Great quality is a right.

Thank you for shopping with Simpli Home,  
America's top brand for high-value furniture.



## It's time to register your product warranty.

It's quick and easy. And you'll be happy you did.



- ✓ Activate your **1-year** warranty
- ✓ Automatic entry to win a **\$500** gift certificate
- ✓ Earn instant rewards and **save**



[simpli-home.com/product-registration](https://simpli-home.com/product-registration)

# SIMPLIHOME

## Review your product and collect rewards!

Thank you for your purchase! We hope you enjoy it. We'd love your feedback. Please share a review and get instant rewards!



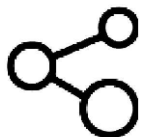
[simpli-home.com/product-review](https://simpli-home.com/product-review)



## Share photos and get your cash back!



Send us images or share them on social and qualify for instant rewards. You may even receive store credit on your entire purchase!



[simpli-home.com/share-images](https://simpli-home.com/share-images)

# SIMPLIHOME®

## For Fastest Customer Service:



1. Open your phone's camera.
2. Point your phone's camera at the QR code to scan.
3. Click on the pop up.
4. You'll be taken to our customer service page.
5. Fill the form with your order information and issue.
6. Submit form.
7. A customer service associate will contact you.

### Other ways to contact us...



#### Email Us

customerservice@simpli-home.com



#### Visit Us

Visit our site directly at  
[www.simpli-home.com](http://www.simpli-home.com)



#### Call Us

1-866-518-0120  
Monday to Friday  
9am to 5pm EST

**\*If you've purchased from a retailer and you wish to return the product, please contact the retailer directly.**

**IMPORTANT** : Please read this manual carefully before beginning assembly of this product. Keep this manual for future reference.

## Safety Information

**This furniture is designed for indoor use.**

**CAUTION:** Injuries and damage can occur from furniture tip over if product is not properly anchored to the wall. Use the Furniture Anti-Tipping Restraint provided with the product. Consult our assembly instructions for help.

If the Furniture Anti-Tipping Restraint kit is not in the box, please contact our customer service department in order to obtain another kit before using the furniture.

Identify all the parts and hardware. Do not discard of the packaging until you have checked that you have all of the parts and hardware required. Hardware package may have spare parts.

**WARNING:** This item contains small parts which can be swallowed by children and pets. Keep children and pets away during assembly. To avoid danger of suffocation, always keep plastic bags away from children and pets. We recommend that you assemble this unit on a carpeted floor to avoid scratches. If using power tools, set the tool to low torque to avoid damage.

**May require 2 people for ease of assembly.**

## Care & Maintenance

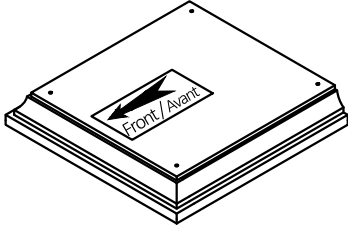
To clean, use a soft or slightly damp cloth, then wipe with a clean, dry cloth. Dust with a soft dry cloth.

Do not use ammonia-based cleaning products, as they will damage the finish. Do not leave liquids or damp cloths on this furniture.

To avoid dulling of the finish, do not place this furniture in direct sunlight. Please inspect and tighten all screws or bolts on a regular basis to ensure proper performance and safety of your item.

**Part Description**

**A**



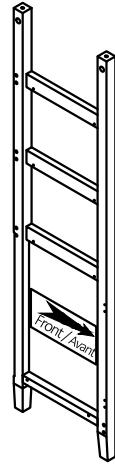
TOP  
QTY 1

**BL**



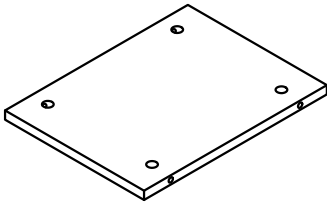
LEFT SIDE  
QTY 1

**BR**



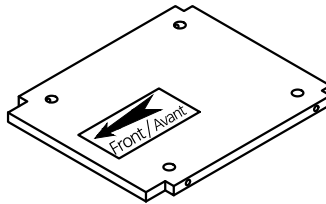
RIGHT SIDE  
QTY 1

**C**



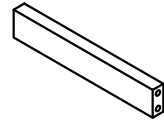
BOTTOM SHELF  
QTY 1

**D**



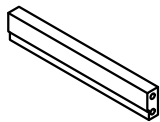
SHELF  
QTY 3

**E**



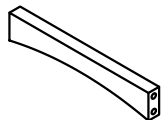
BACK BAR  
QTY 2

**F**



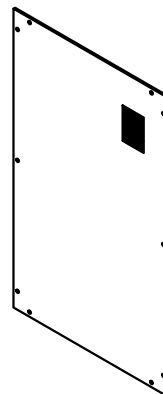
BACK BAR  
QTY 1

**G**



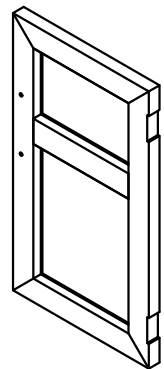
FRONT BAR  
QTY 1

**H**



BACK PANEL  
QTY 1

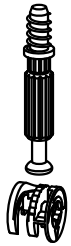
**I**



DOOR  
QTY 1

**Hardware Description**

1



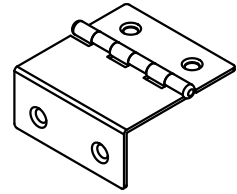
CAM LOCK PIN  
CAM LOCK  
QTY 20 SETS

2



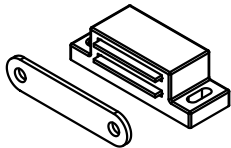
WOOD DOWEL  
Ø8 X 30mm  
QTY 16

3



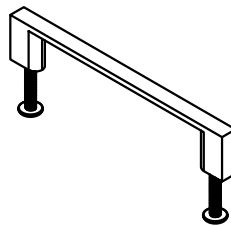
HINGE  
QTY 2

4



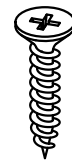
MAGNET AND PLATE  
QTY 1 SET

5



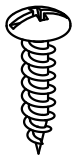
HANDLE  
M4 X 25 mm  
QTY 1 SET

6



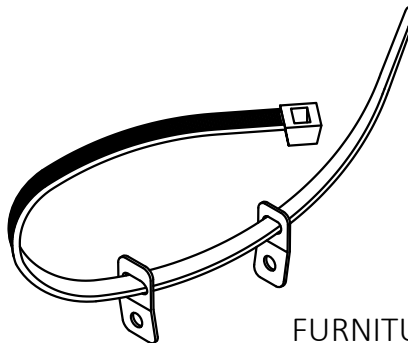
PHILLIPS SCREW  
M3 X 15mm  
QTY 12

7






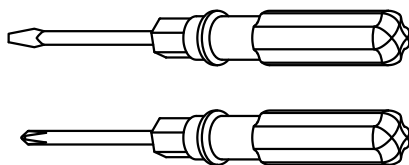
PHILLIPS SCREW ROUND HEAD  
M4 X 15mm  
QTY 10

8

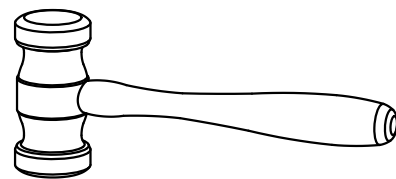


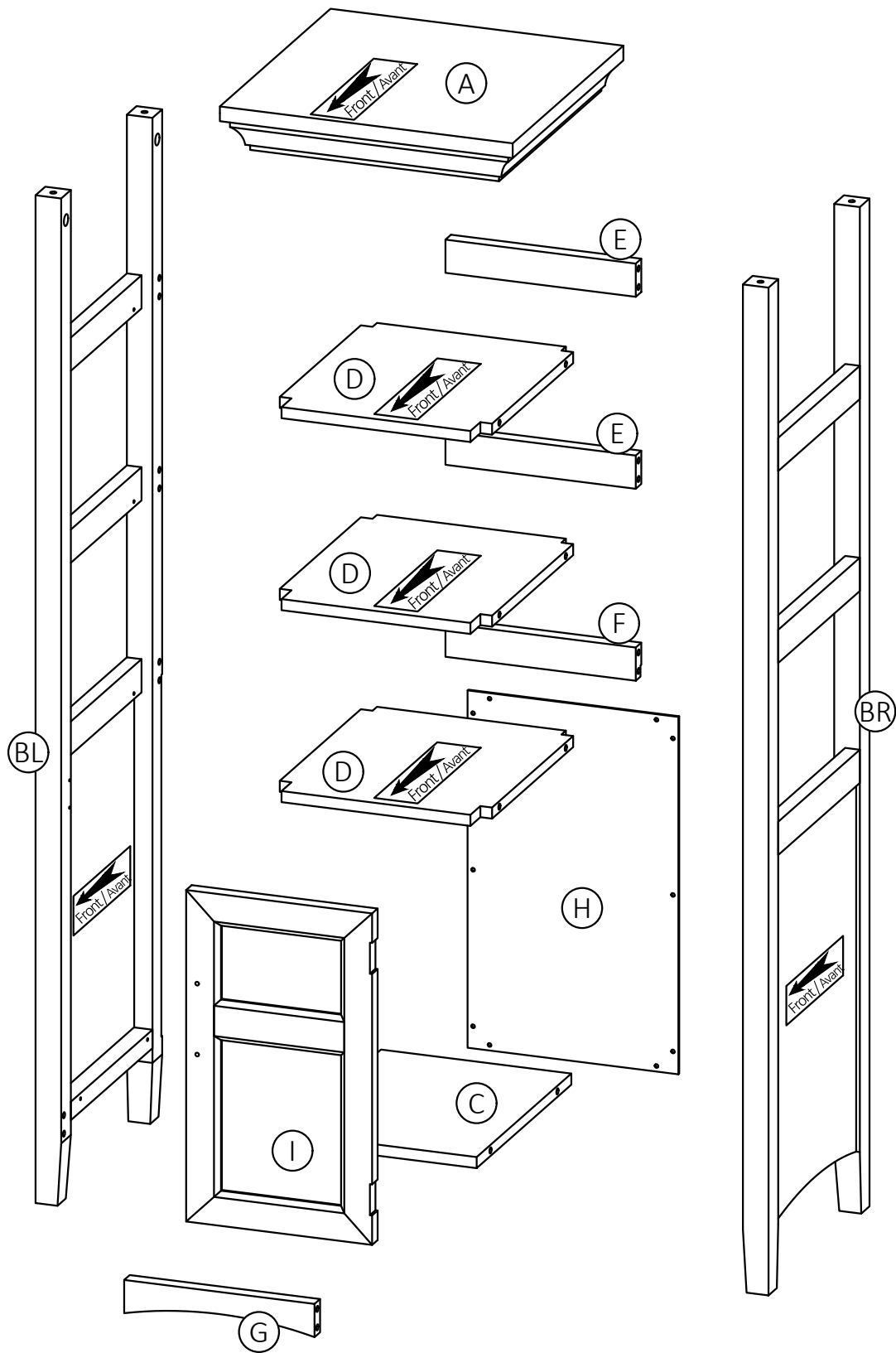
FURNITURE TIP OVER RESTRAINT  
QTY 1 SET

- a.  M4 X 25mm - QTY 2  
(1 is extra)
- b.  M4 X 15mm - QTY 1
- c.  M4 X 25mm - QTY 1

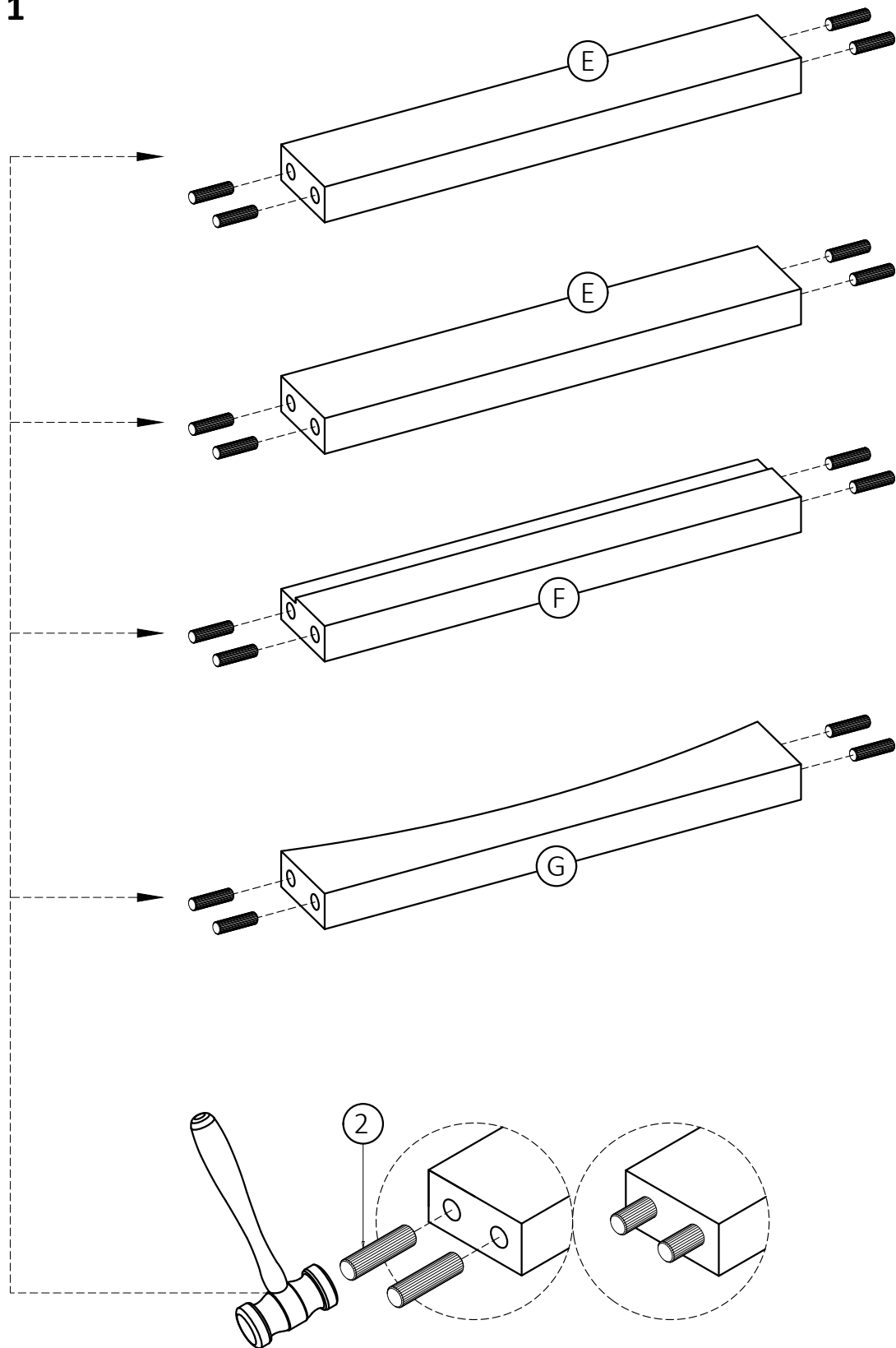


Required -  
Flathead screwdriver  
Phillips screwdriver  
Rubber mallet  
**Not Included**



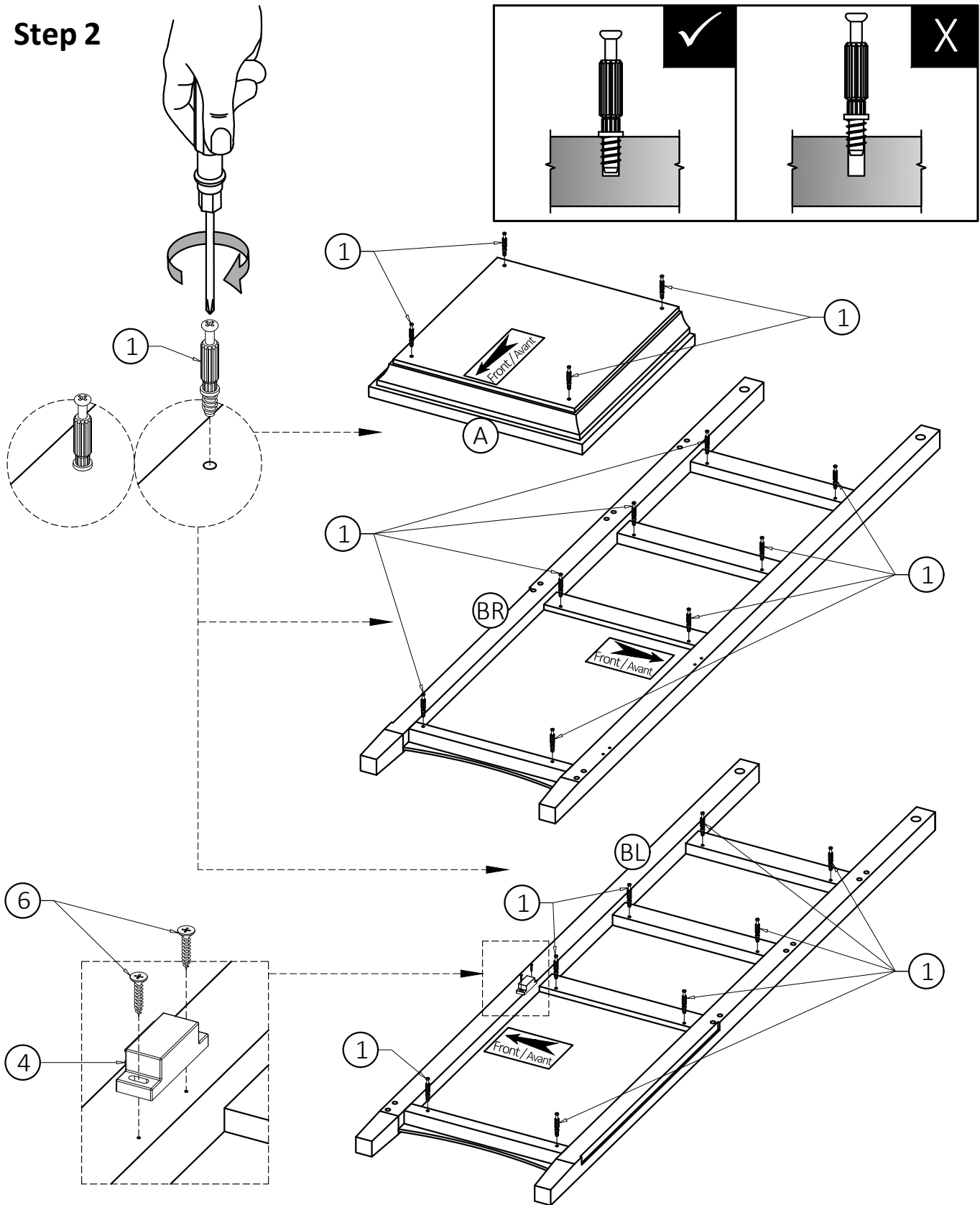




**Step 1**

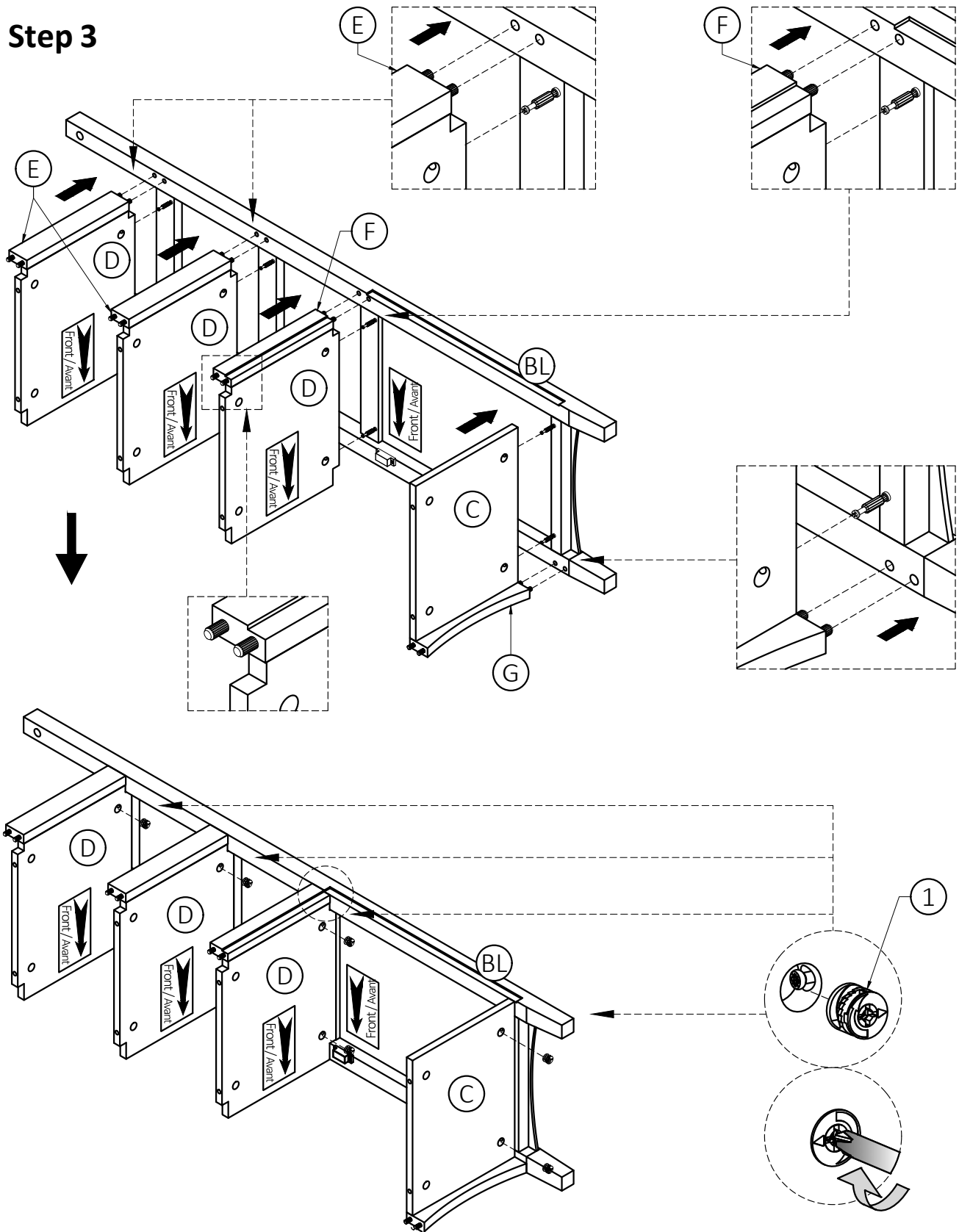
1. Insert four Dowels ② into guide holes on each part ⑤, ⑥, ⑦.
2. Use rubber mallet to tap Dowels ② into bottom of holes securely. 1/2 length of Dowels should be exposed.

## Step 2



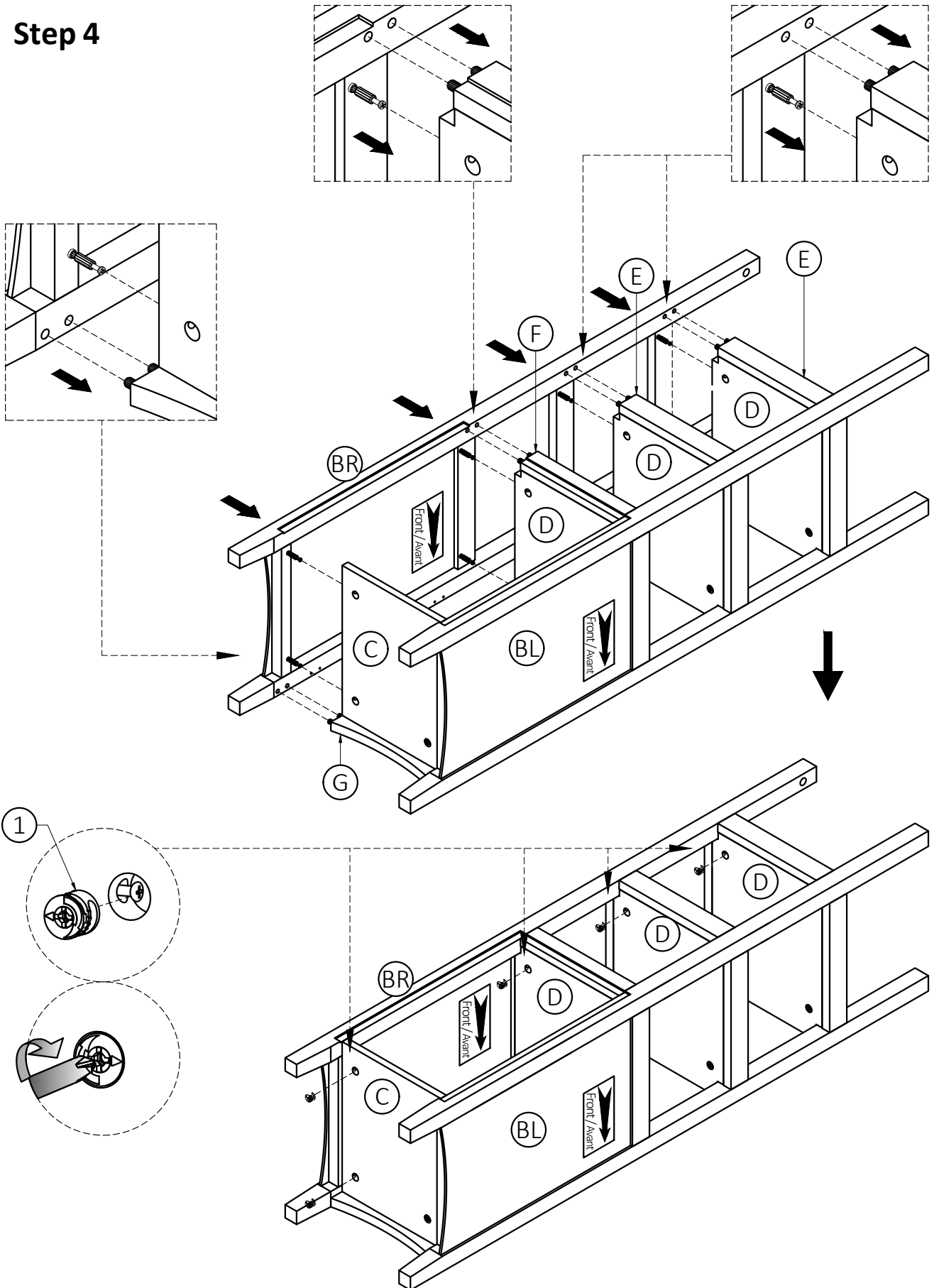
1. Attach Cam Lock Pins (1) into pre-drilled holes on each part (A), (BL), (BR).
2. Use Phillips screwdriver to secure Cam Lock Pins. Do not over-tighten.
3. Attach Magnet (4) using Phillips Screws (6) into pre-drilled holes on part (BL).
4. Use Phillips screwdriver to secure Screws. Do not over-tighten.

## Step 3



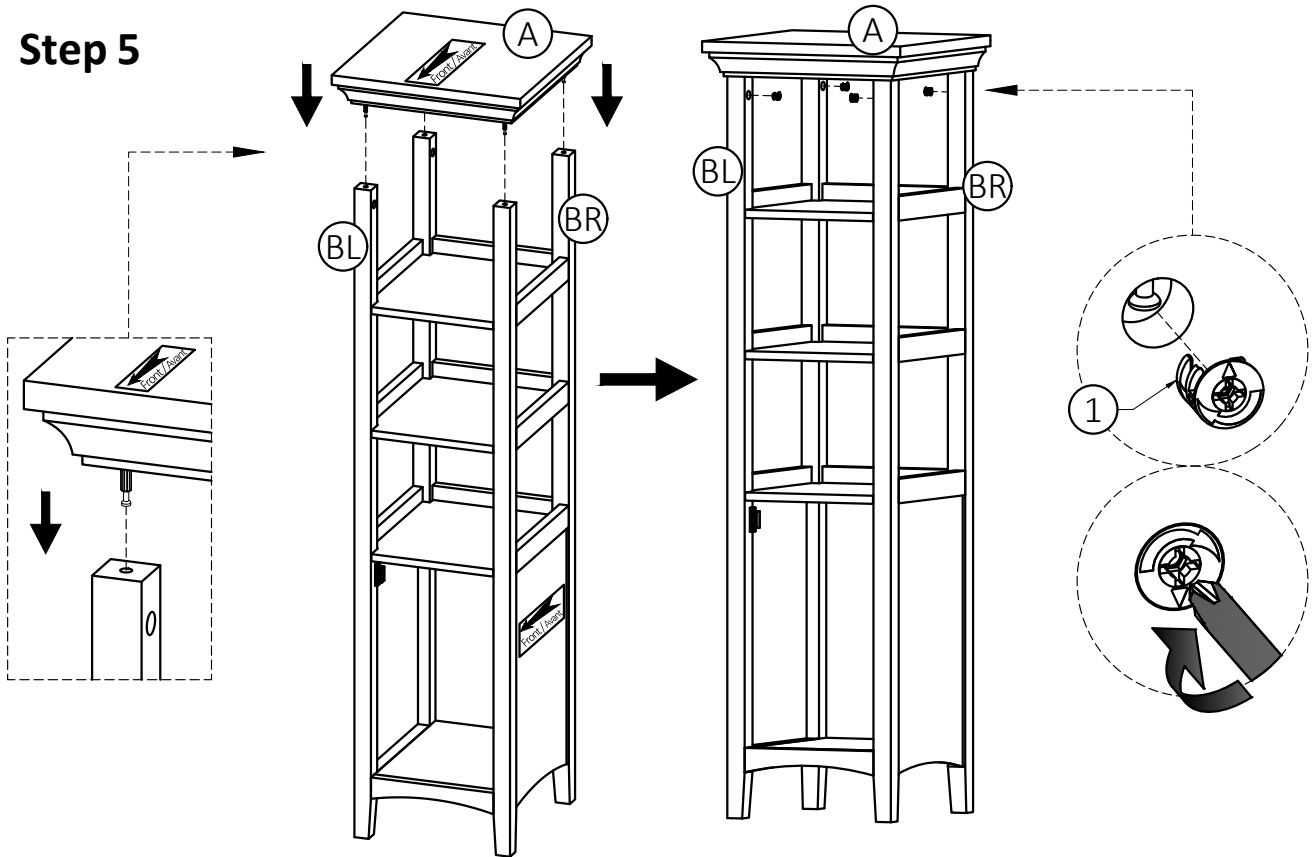
1. Align Wood Dowels with guide holes on part (BL) and attach parts (E), (F), (G) to Left Side (BL).
2. Align Cam Lock Pins with guide holes on parts (C), (D) and attach parts (C), (D) to Left Side (BL).
3. Insert two Cam Locks (1) into guide holes on each part (C), (D).
4. Use Phillips screwdriver to secure Cam Locks.

Step 4



1. Repeat Step 3 for the Right Side (BR).

## Step 5

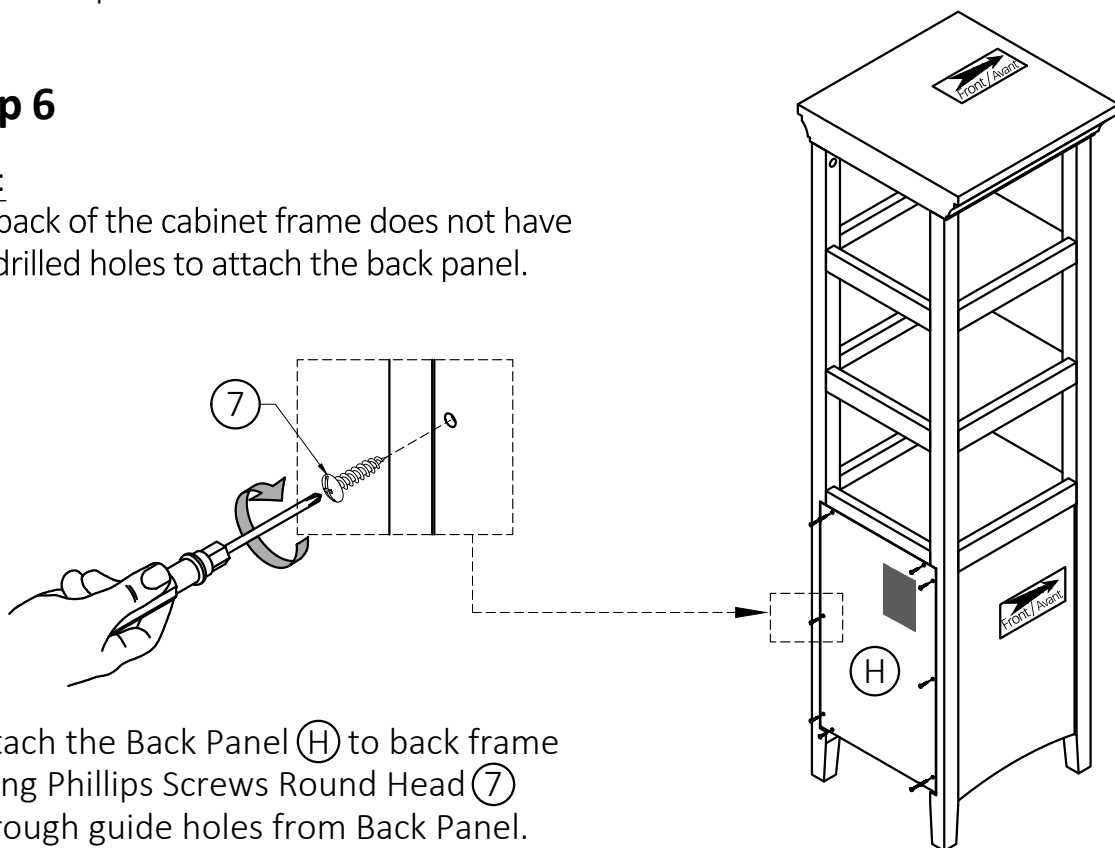


1. Align Cam Lock Pins with guide holes and attach part (A) to Sides (BL, BR)
2. Insert two Cam Locks (1) into guide holes on each part (BL, BR).
3. Use Phillips screwdriver to secure Cam Locks.

## Step 6

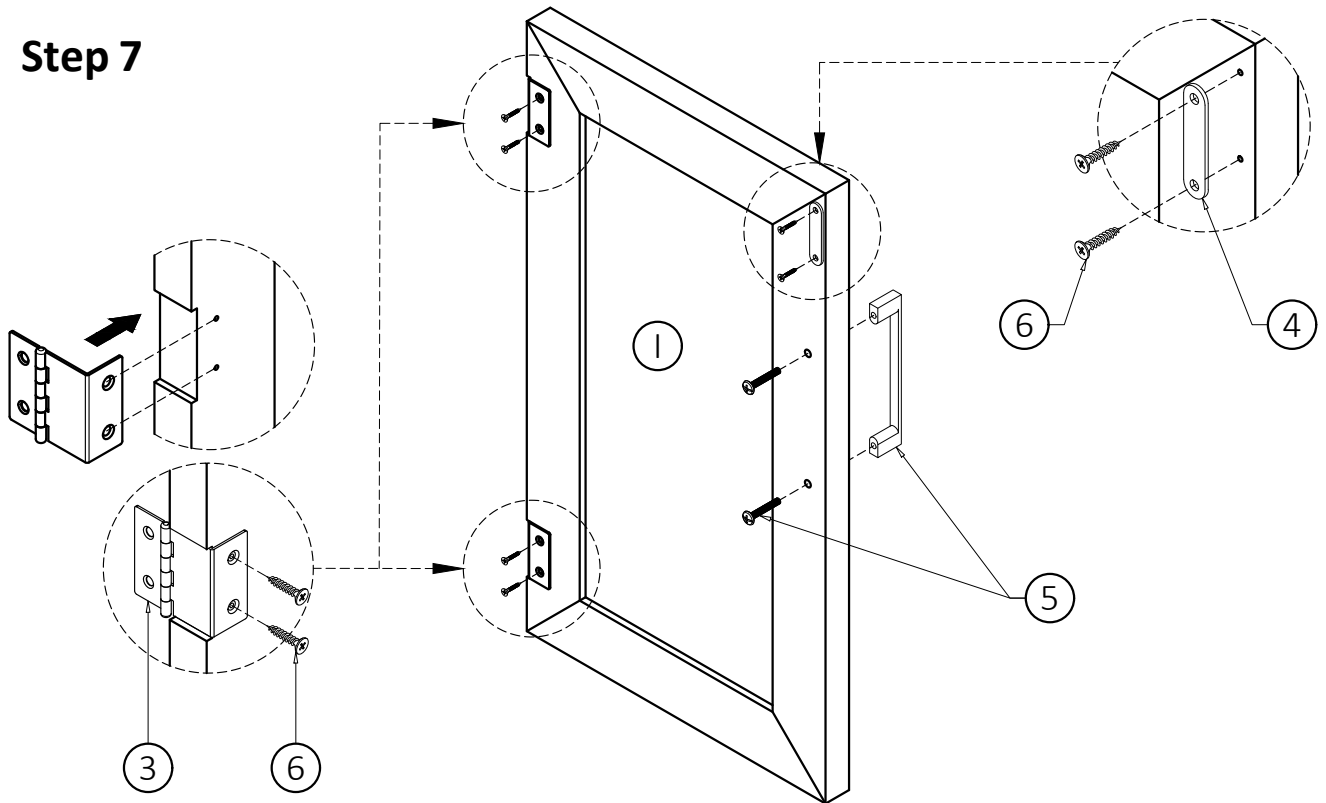
### Note:

The back of the cabinet frame does not have pre-drilled holes to attach the back panel.

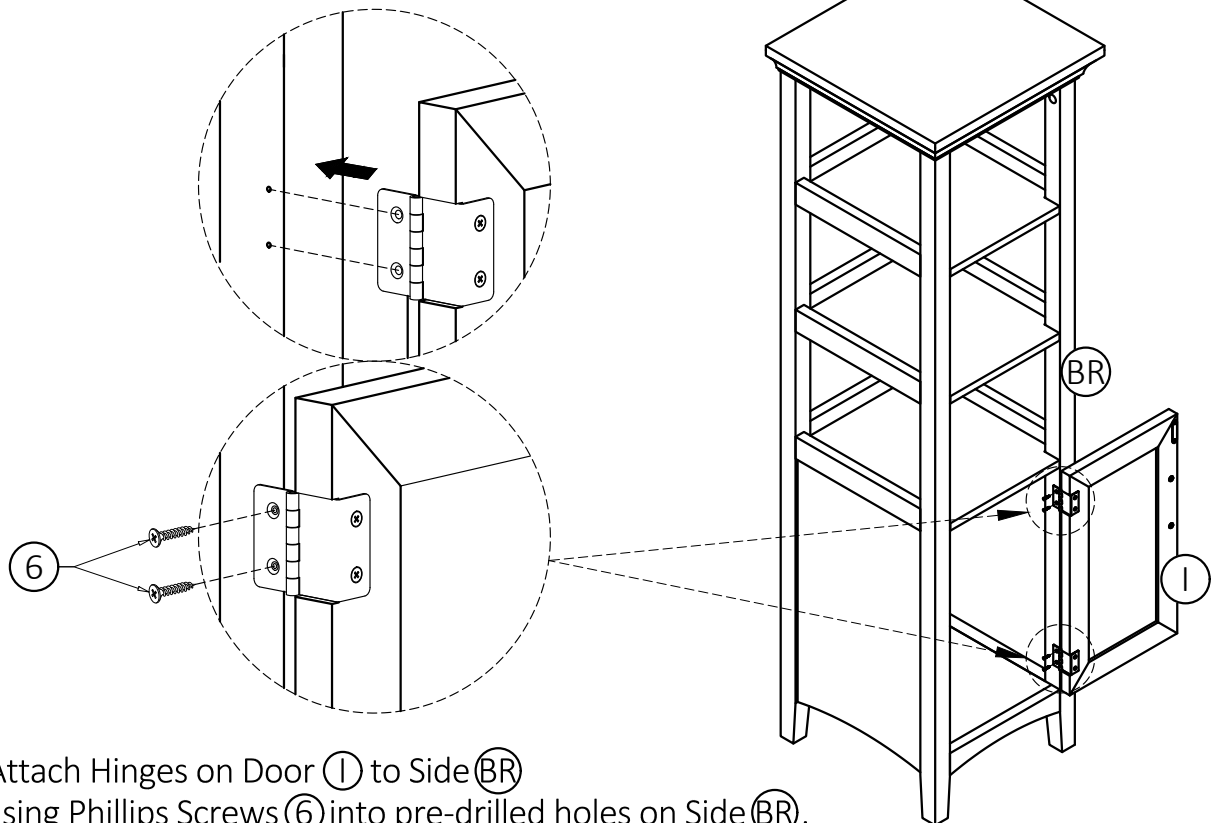


1. Attach the Back Panel (H) to back frame using Phillips Screws Round Head (7) through guide holes from Back Panel.
2. Use Phillips Screwdriver to tighten screws. Do not over-tighten.

## Step 7



1. Attach Hinges ③ to Door ① using Phillips Screws ⑥ into pre-drilled holes on Door ①.
2. Attach Magnet Plate ④ to top corner of Door ① using Phillips Screws ⑥ into pre-drilled holes on Door ①.
3. Use Phillips screwdriver to attach Handle ⑤ to Door ①.



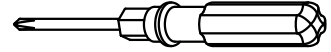
4. Attach Hinges on Door ① to Side BR using Phillips Screws ⑥ into pre-drilled holes on Side BR.
5. Use Phillips screwdriver to secure screws. Do not over-tighten.

## Furniture Tip Over Restraint Assembly

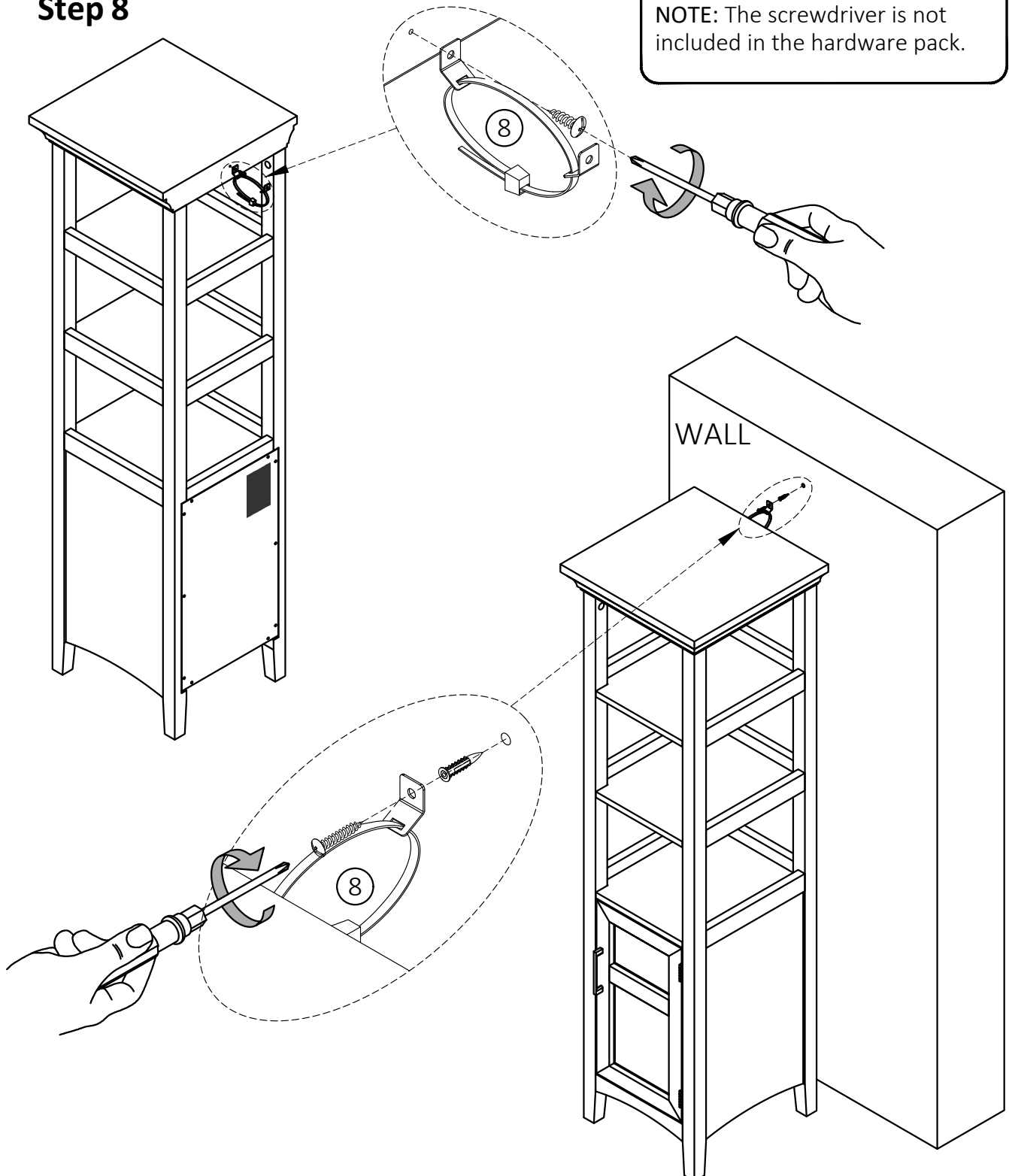
**! WARNING**

Serious or fatal crushing injuries can occur from furniture tip-over. If the furniture tip over restraint kit is not in the box, please contact our customer service department in order to obtain another kit before using the furniture.

### Step 8

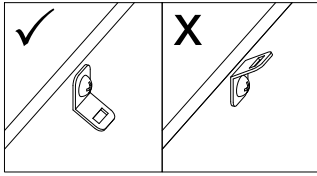


NOTE: The screwdriver is not included in the hardware pack.

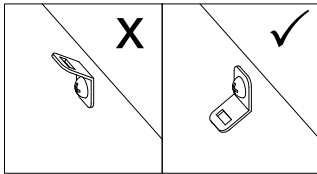


## Furniture Anti-Tipping Restraint Instructions

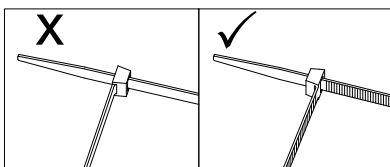
1. Attach one of the mounting brackets securely to the back edge of the furniture. Use the shorter screw.



2. Determine where furniture is to be placed and mark location on the wall for mounting bracket screw hole approximately 2 inches below the bracket mounted to the furniture.



3. Drill a 3/16 inch hole in the wall. Press the plastic anchor into the hole and gently tap until the flange on the anchor is against the wall surface.
4. Position the bracket over the anchor and use the longer screw to securely attach the bracket to the wall.
5. Place the furniture so the back edge is in line with the bracket on the wall.
6. Lace an end of the nylon zip-tie strap down through each bracket. Bring both ends together and slide the smooth side upright through the square-shaped end and pull through to create the "locked" position.
7. Check to make sure the strap is securely laced and locked to the brackets.



- **DO NOT** put a TV or other heavy objects on top of furniture not intended for use with a TV
- **DO NOT** place heavy objects in top drawers or on top shelves
- **DO NOT** let children climb or hang on drawers, doors or shelves