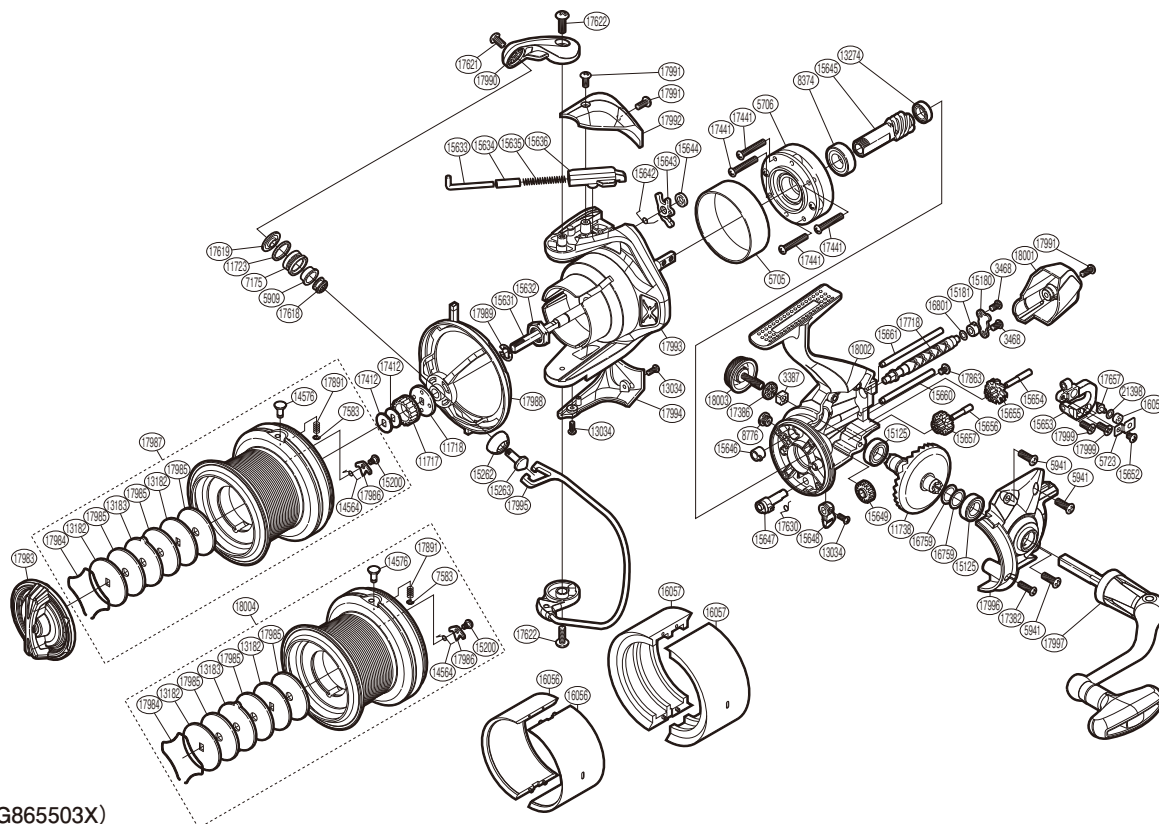


# SHIMANO

## ULTEGRA XTD

## ULT-5500XTD



(51SG865503X)

#	Part No.	Description	#	Part No.	Description	#	Part No.	Description
3387	10C6G	Handle Screw Lock	15634	10HDK	Bail Spring Guide A Support	17630	10DCS	Anti-Reverse Cam Spring
3468	10LSN	Screw	15635	105LJ	Bail Spring	17657	10DMN	Oscillating Pawl
5705	106HS	Roller Clutch Ring	15636	107A7	Bail Spring Guide B	17718	10DMQ	Worm Shaft
5706	10QL4	Roller Clutch Assembly	15642	106PL	Lever Spring	17863	10LCS	Screw
5723	10H7L	Oscillating Pawl Cover	15643	106KC	Bail Trip Lever	17891	10B02	Line Clip Spring
5909	10PFJ	Line Roller Bushing	15644	10763	Washer	17983	101FQ	Drag Knob
5941	10L9R	Screw	15645	10BV6	Pinion Gear	17984	10MZW	Drag Washers Retainer
7175	10JLX	Line Roller	15646	106M1	Worm Bushing (Front)	17985	10PE9	Drag Washer
7583	105NC	E Lock	15647	1053L	Anti-Reverse Cam	17986	101SE	Drag Click
8374	107FL	Ball Bearing	15648	10ANY	Anti-Reverse Lever	17987	101FV	Spool Assembly
8776	104KM	Oil Cap	15649	10HBF	Idle Gear	17988	1026S	Line Safety Guard Assembly
11717	10Q03	Spool Support A	15652	103LG	Screw	17989	10KHH	E Lock
11718	10GH4	Spool Support B	15653	10G61	Oscillating Slider	17990	101GW	Bail Arm
11723	10G76	Line Roller Spacer	15654	10CKJ	Idle Gear B Shaft	17991	10LFL	Screw
11738	104A3	Drive Gear	15655	10CNB	Idle Gear B	17992	101T3	Bail Spring Cover
13034	103NJ	Screw	15656	10H4D	Idle Gear C Shaft	17993	101GN	Rotor
13182	10N29	Key Washer	15657	10H4A	Idle Gear C	17994	101T1	Bail Hold Support Guard
13183	102XE	Eared Washer	15660	10356	Oscillating Guide A	17995	1026Q	Bail Assembly
13274	104PP	Ball Bearing	15661	104M6	Oscillating Guide B	17996	1022V	Side Cover
14564	10JM3	Drag Click Spring	16053	10JXM	Oscillating Slider Bushing	17997	101RT	Handle Assembly
14576	10ATV	Line Clip	16759	10HHU	Washer	17999	10LA7	Screw
15125	107FB	Ball Bearing	16801	10K9C	Washer	18001	101SH	Rear Protector
15180	10AT4	Worm Shaft Retainer	17382	10L6J	Screw	18002	1026R	Body
15181	106M3	Worm Bushing (Rear)	17386	10J6B	Handle Screw Cap Spacer	18003	101SA	Handle Screw Cap
15200	10A6G	Screw	17412	10PH7	Spool Washer	21398	10RKQ	Washer
15262	10G8L	Line Roller Support Cover	17441	10LJ3	Screw			
15263	10Q3A	Line Roller Support	17618	10CZU	Line Roller Collar	18004	1027Q	Spare Spool Assembly
15631	10L4Q	Main Shaft	17619	10PJW	Line Roller Washer			
15632	1080W	Rotor Nut	17621	10K92	Screw	16056	10EWG	Spool Economizer A (4500) (accessory)
15633	105YV	Bail Spring Guide A	17622	10LLK	Screw	16057	109WG	Spool Economizer B (3500) (accessory)

Please note that the number of adjusting washers may not be the same as shown in the exploded views.  
(Adjustment will vary with each individual product.)

(240624)\_006