

**OVERVIEW**

The DUR103 Series retrofit receptacle kit adapts a light fixture for use with a NEMA locking type photocontrol.

**FEATURES**

APPLICATIONS

- The DUR-103 adapts a light fixture for use with a locking type photocontrol
- The DUR-103 can be mounted to wood utility poles, metal poles, walls and the fixture itself
- Comes standard with L-shaped mounting bracket, receptacle cup and locknut

**SPECIFICATIONS**

REGULATORY LISTINGS

- UL Recognized Component
- Meets NEMA standards
- Meets ANSI standards
- ROHS compliant

OPERATING CHARACTERISTICS

- Electrical rating - 15 amp, 480VAC Max., 50/60 Hz
- Leads
  - 14 gauge, stranded 14"
  - Leads are rated 105°C
  - Red = Load, Black = Line, White = Common

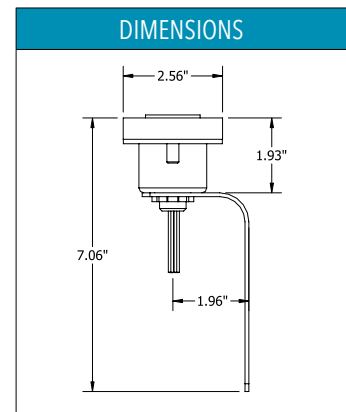
**Warranty**

Six-year limited warranty. Complete warranty terms located at: [www.acuitybrands.com/CustomerResources/Terms\\_and\\_conditions.aspx](http://www.acuitybrands.com/CustomerResources/Terms_and_conditions.aspx)

**Note:** Actual performance may differ as a result of end-user environment and application. Specifications subject to change without notice.



*DUR 103 Series*  
Retrofit Receptacle Kit



ORDERING INFORMATION

DUR RECEPTACLE		Example: DUR103 U	
Series & Voltage		Pkg. Qty.	
DUR103	120-480V	U	1 Unit
		J6	6 Units
		J50	50 Units