

# Assembly Guide

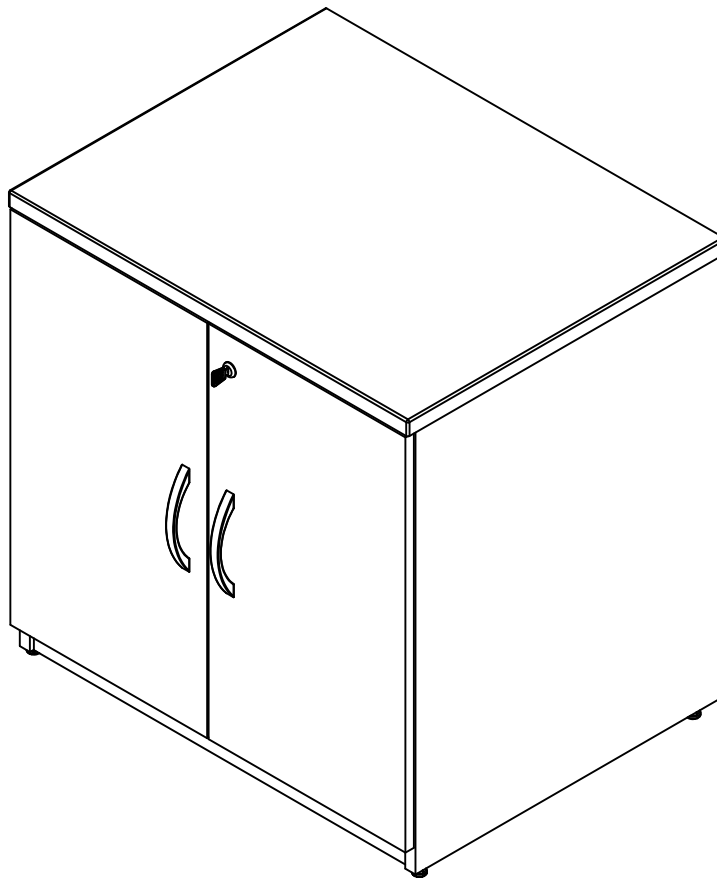


**If you're having any difficulty during assembly of this product, don't hesitate to call us at 1-800-950-4782.**

Our customer service experts are trained to provide step-by-step instruction and can easily replace any missing or damaged parts.

**Representatives are available Monday-Friday from 8:30 a.m. to 7:30 p.m. (ET)**

## 30W Storage Cabinet



Lot Code #

Instruction Sheet Number A173950F

Keep manual for future reference.

## For best results, keep these tips in mind:

- ① We know you want to finish this assembly as quickly as possible, but trust us: you'll have a better experience if you take it one step at a time.
- ② Give yourself some room to work near where you want the fully assembled product.
- ③ If your floor isn't carpeted, assemble this product on the empty carton to avoid scratching.
- ④ Do you have a friend who owes you a favor? Some steps may go a little easier with a second set of hands.

### DOs

- ✔ Use a #2 Phillips head screwdriver (or other handheld tools as indicated)
- ✔ Wear safety glasses at all times during assembly
- ✔ Carefully follow the instructions in this guide and complete all steps in order
- ✔ Give us a call if you're having trouble with a particularly tricky step

### DON'Ts

- ✘ We know power tools are quick and easy, but you shouldn't use them when assembling this product (unless otherwise specified)
- ✘ Never move your furniture with items inside or resting on the surface
- ✘ Do not attempt to use this product before all steps have been completed

## Watch assembly videos right on your phone or computer!



Some steps include QR codes that link to helpful videos. Watch out for the icon below! Simply open up your smartphone camera to scan the code.

*(Users of older smartphones may need to install a QR Reader.)*

**SCAN HERE**



**FOR VIDEOS**

Or visit <https://bushfurniture.com/help-faq/#assembling>



# IMPORTANT SAFETY INFORMATION



## PLEASE READ WARNINGS

Improper use can cause safety hazards, or damage to your furniture and household items.

Warning	Do	Don't	Why it's important
<b>Serious injury may occur.</b>	<ul style="list-style-type: none"><li>Assemble following all instructions using all indicated parts and hardware provided.</li><li>Install every indicated nail and/or screw.</li><li>Verify that furniture is stable on it's own.</li><li>Place heaviest items in the lower drawers or shelves.</li><li>Remove items that might tempt kids to climb, such as toys and remote controls from the top and upper shelves of furniture.</li></ul>	<ul style="list-style-type: none"><li>Do not move unit when loaded.</li><li>Do not load with a television or other heavy equipment.</li><li>Do not exceed the maximum load limits stated in the instructions.</li><li>Do not allow children to stand, climb, or hang on furniture.</li></ul>	Improper assembly, use or loading can lead to product instability, tipover, or collapse.

Advertencia	Hacer	No	Por qué es importante
<b>Pueden producirse lesiones graves.</b>	<ul style="list-style-type: none"><li>Realice el montaje siguiendo todas las instrucciones y utilizando todas las piezas indicadas y los herrajes suministrados.</li><li>Instale todos los clavos y/o tornillos indicados.</li><li>Compruebe que el mueble sea estable por sí mismo.</li><li>Coloque los objetos más pesados en los cajones o estantes inferiores.</li><li>Retire los objetos que puedan tentar a los niños a trepar, como juguetes y mandos a distancia, de los estantes superiores y superiores del mueble.</li></ul>	<ul style="list-style-type: none"><li>No mueva la unidad cuando esté cargada.</li><li>No cargue el mueble con un televisor u otro equipo pesado.</li><li>No supere los límites máximos de carga indicados en las instrucciones.</li><li>No permita que los niños trepen o se cuelguen de los muebles.</li></ul>	El montaje, uso o carga inadecuados pueden provocar inestabilidad, vuelco o colapso del producto.

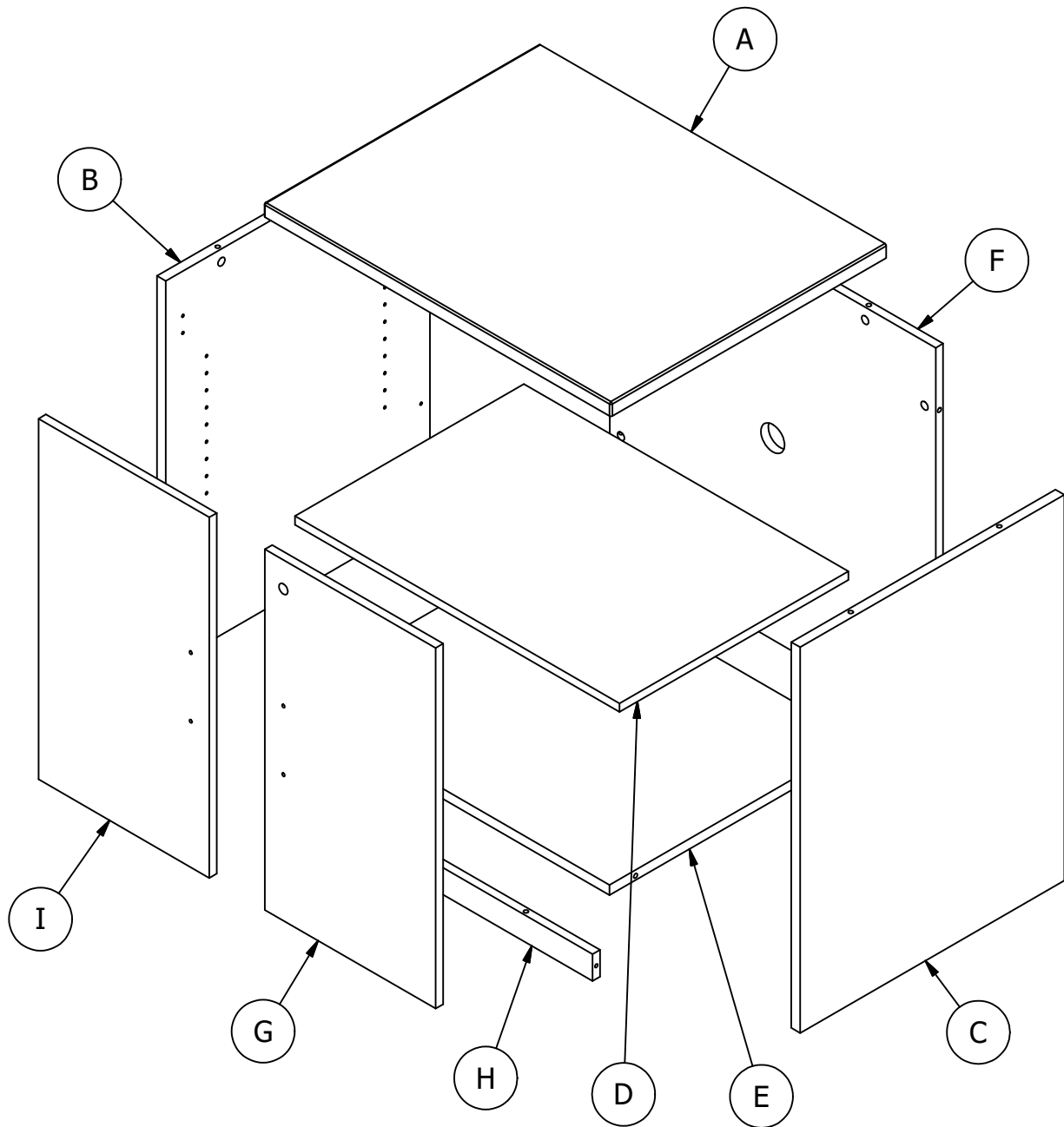
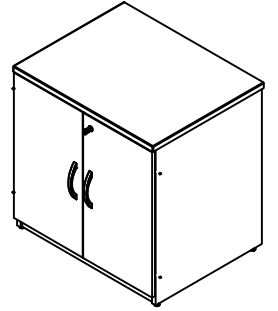
## IMPORTANT SAFETY INFORMATION



# PLEASE READ WARNINGS


Improper use can cause safety hazards, or damage to your furniture and household items.

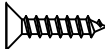
Avertissement	À faire	À ne pas faire	Pourquoi c'est important
<b>Peut entraîner des blessures graves.</b>	<ul style="list-style-type: none"><li>• Assembler en suivant toutes les instructions et en utilisant toutes les pièces et la quincaillerie incluses.</li><li>• Installer tous les clous et/ou toutes les vis.</li><li>• Assurez-vous que le meuble soit stable par lui-même.</li><li>• Placer les objets les plus lourds sur les tablettes ou dans les tiroirs du bas.</li><li>• Retirer les objets qui pourraient inciter les enfants à grimper comme les jouets et les télécommandes des tablettes supérieures et du dessus du meuble.</li></ul>	<ul style="list-style-type: none"><li>• Ne pas déplacer le meuble lorsqu'il est chargé.</li><li>• Ne pas charger le meuble avec un téléviseur ou tout autre équipement lourd.</li><li>• Ne pas dépasser les limites de poids maximales indiquées dans les instructions.</li><li>• Ne pas laisser les enfants grimper ou s'accrocher aux meubles.</li></ul>	Un assemblage, une utilisation ou un chargement incorrects peuvent entraîner l'instabilité, le basculement ou l'effondrement du produit.




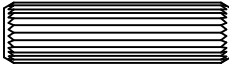
Have an assembly question or need a replacement part? Just call  
**1-800-950-4782**, we are here to help.

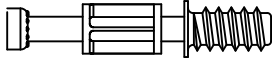
Fasteners are shown actual size.


H28917  [ 8 ]  
#6 x 1/2"

H23338  [ 1 ]  
#5 x 1/2"

H43507  [ 1 ]  
#8 x 1/2"

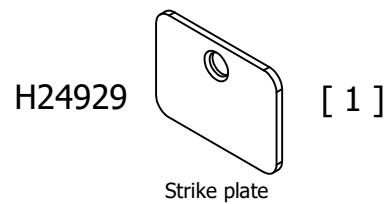
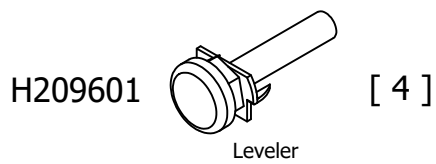
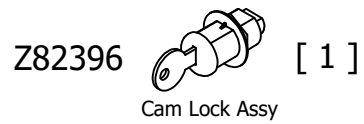
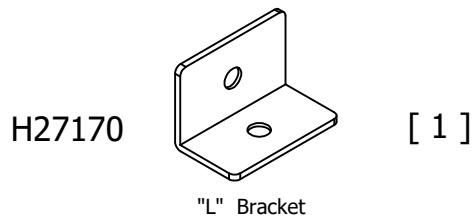
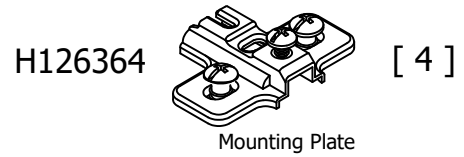
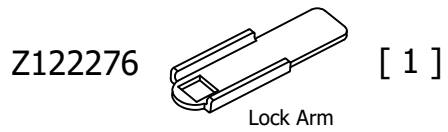
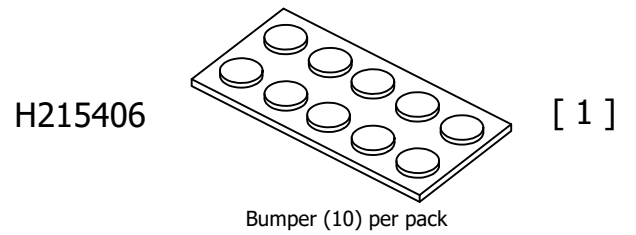
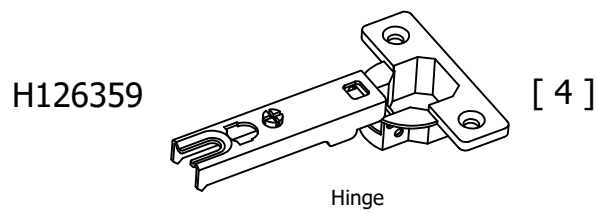
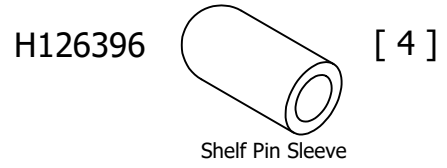
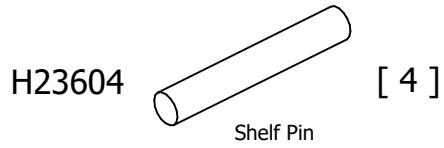
H38169  [ 1 ]  
Wood Dowel 8 x 30

H72988  [ 17 ]  
KD Bolt

H181468US  [ 17 ]  
KD Cam3000

Have an assembly question or need a replacement part? Just call  
**1-800-950-4782**, we are here to help.

Hardware not to scale.



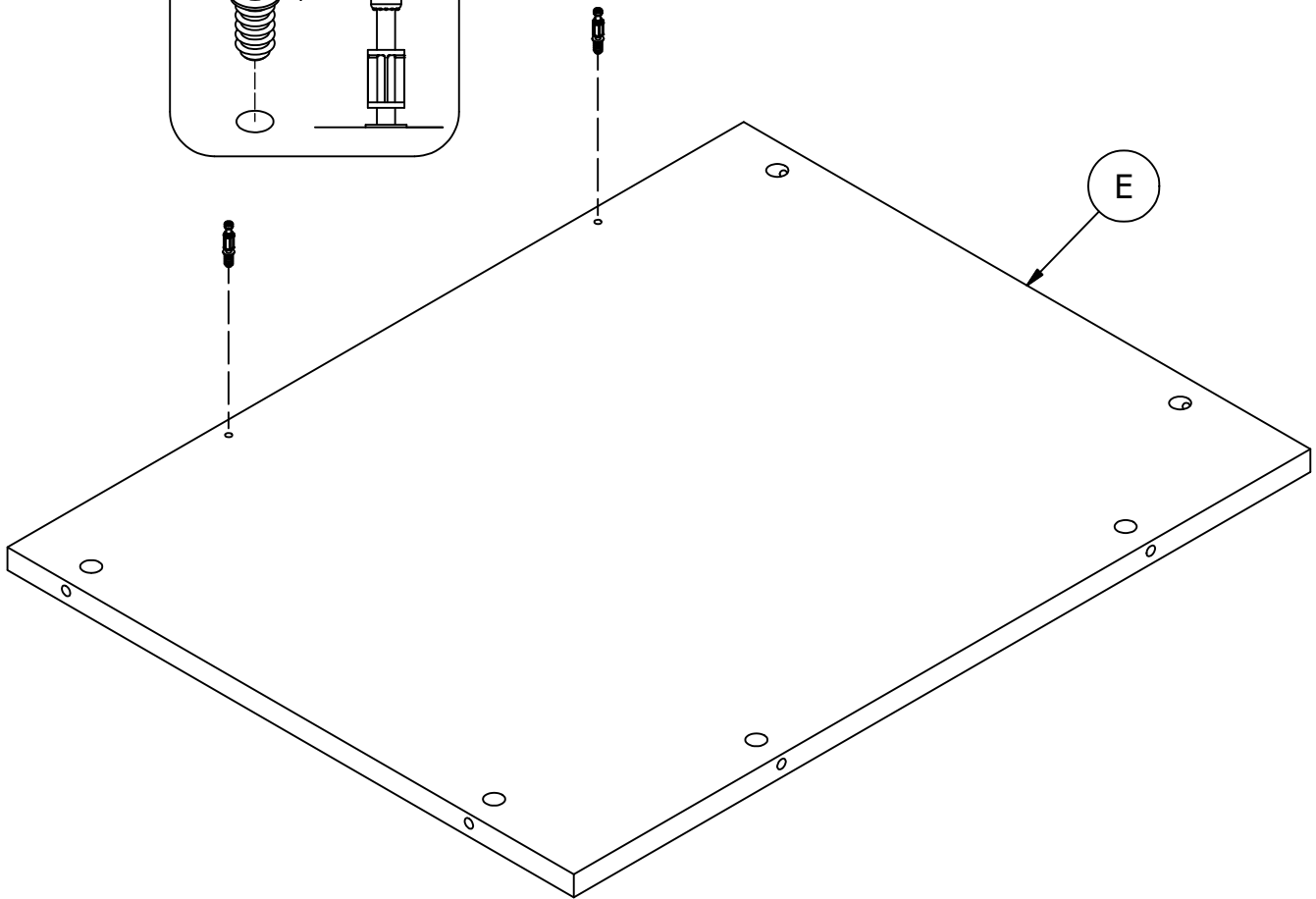
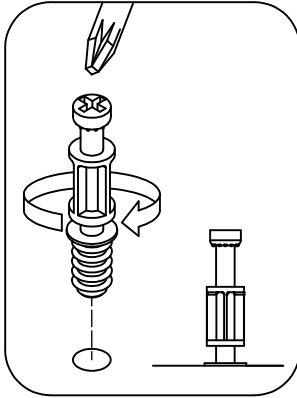
Have an assembly question or need a replacement part? Just call  
**1-800-950-4782**, we are here to help.

# STEP 1

## Prepare Panel

A173950F

H72988 [ 2 ]  
KD Bolt



Have an assembly question or need a replacement part? Just call  
**1-800-950-4782**, we are here to help.



# STEP 2

## Prepare Panel

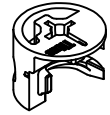
A173950F

Scan QR Code to Watch Video on:



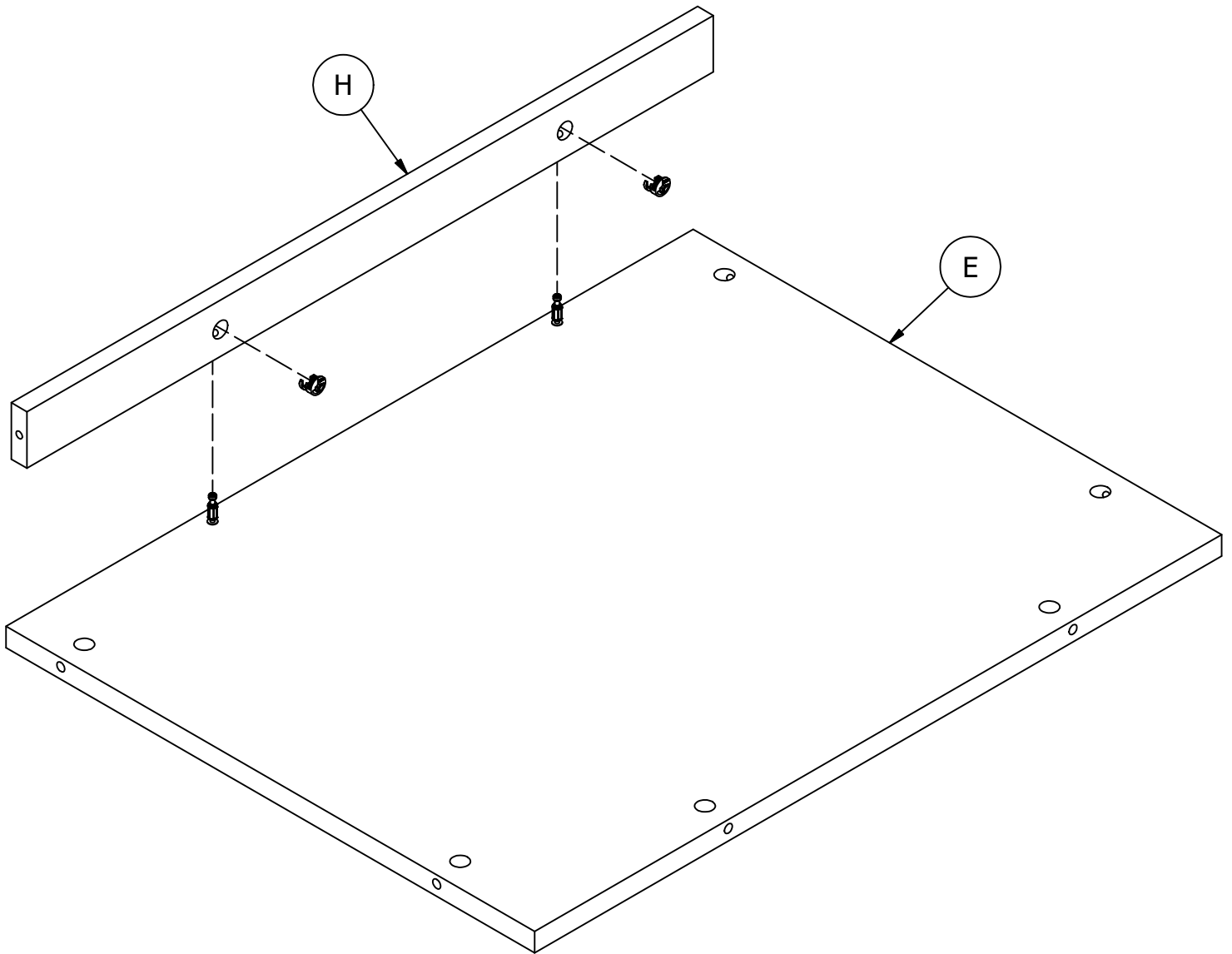
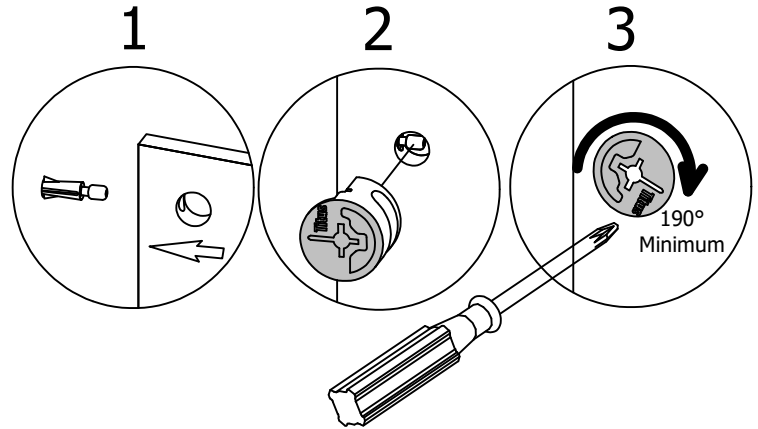
How to Tighten KD Cams

H181468US



KD Cam3000

[ 2 ]



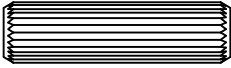
Have an assembly question or need a replacement part? Just call **1-800-950-4782**, we are here to help.

# STEP 3

## Prepare Panel

A173950F

H38169



[ 1 ]

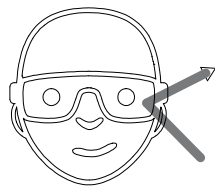
Wood Dowel 8 x 30

H72988

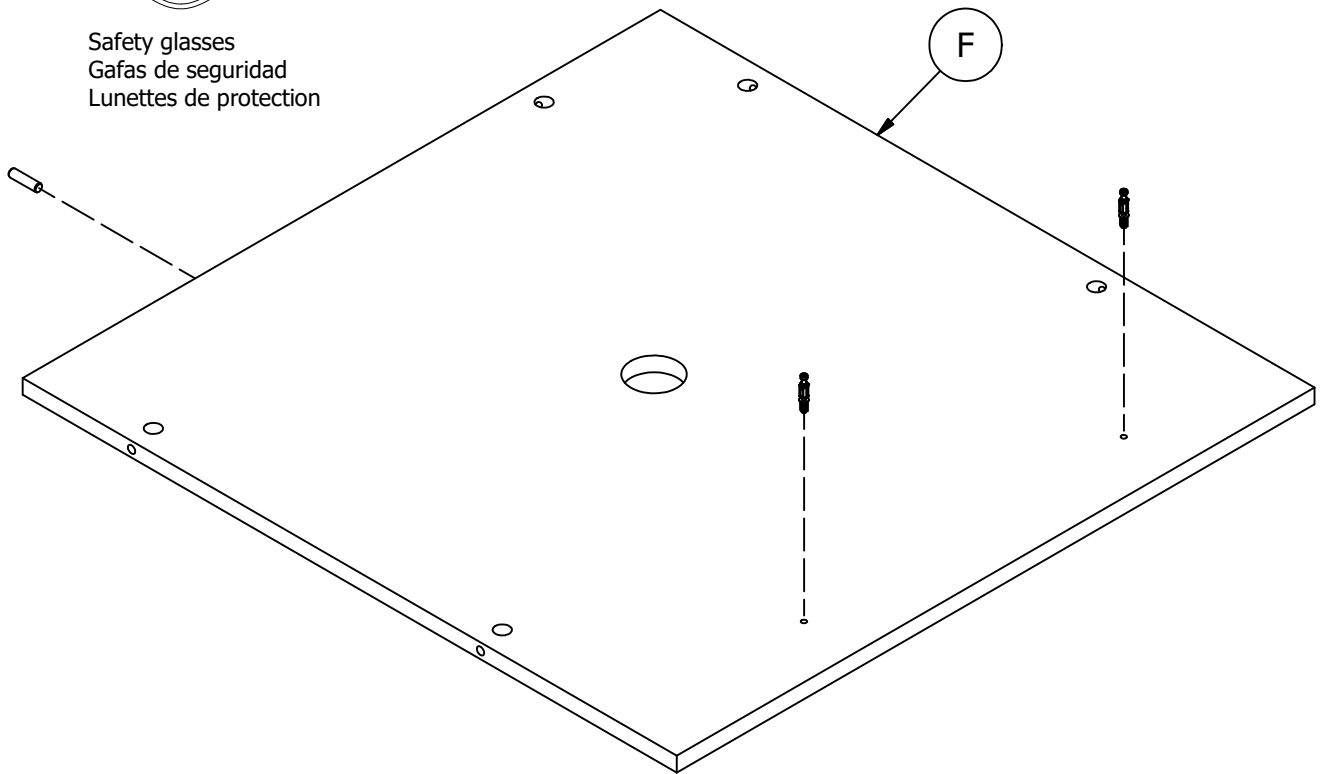
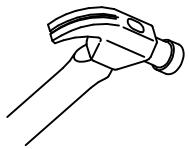
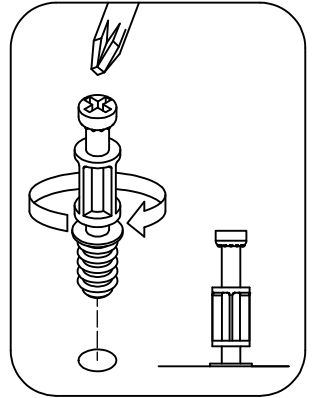


[ 2 ]

KD Bolt



Safety glasses  
Gafas de seguridad  
Lunettes de protection



Have an assembly question or need a replacement part? Just call  
**1-800-950-4782**, we are here to help.

# STEP 4

# Assemble Panels

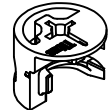
A173950F

Scan QR Code to Watch Video on:



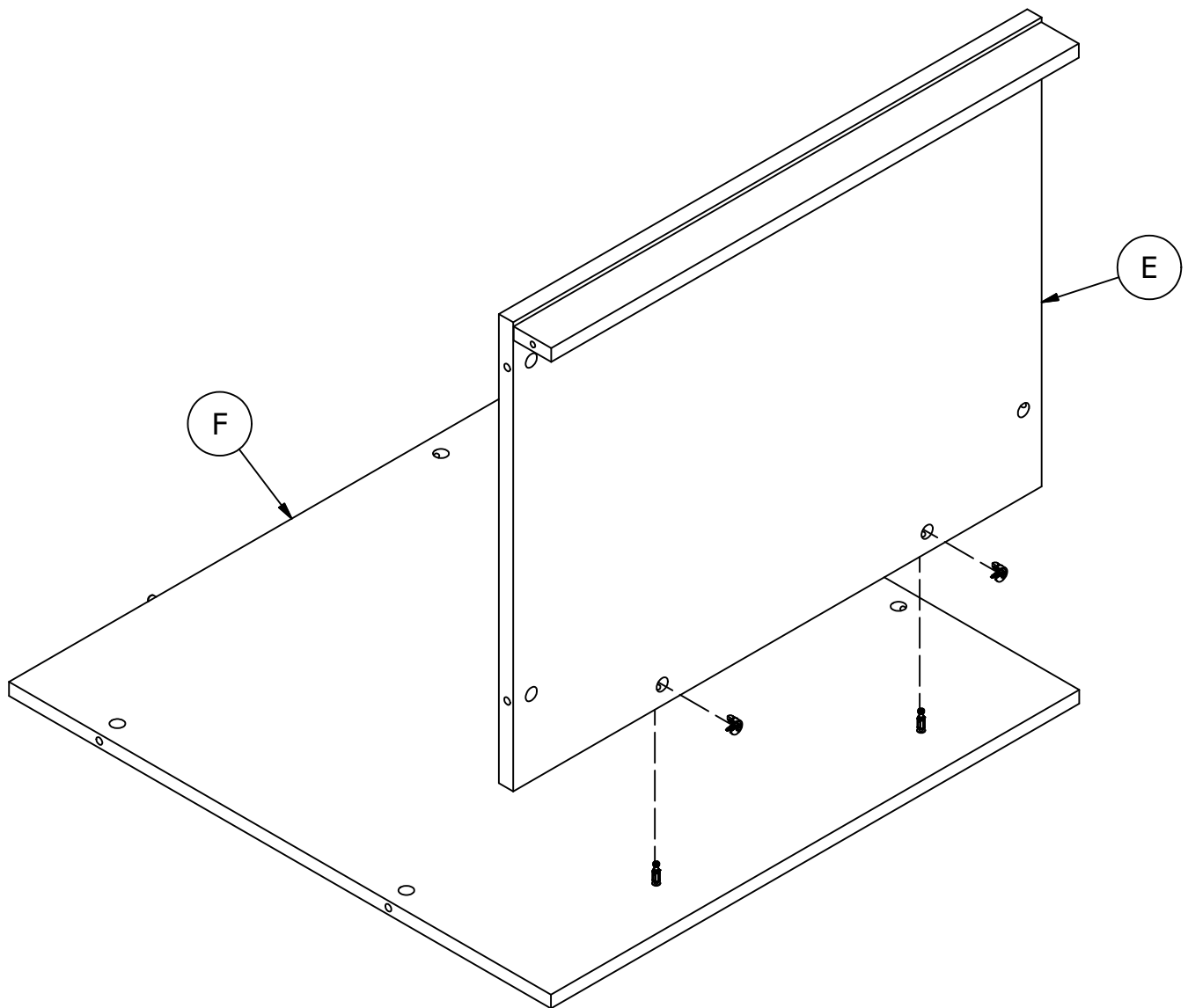
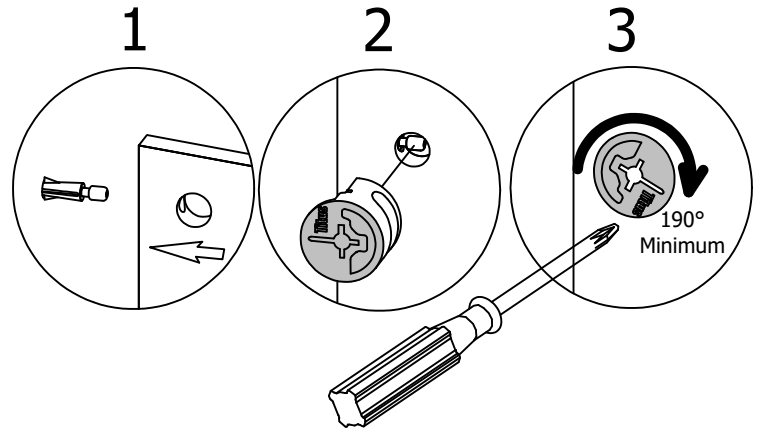
How to Tighten KD Cams

H181468US



KD Cam3000

[ 2 ]



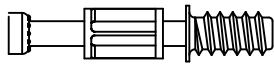
Have an assembly question or need a replacement part? Just call **1-800-950-4782**, we are here to help.

# STEP 5

# Prepare Panel

A173950F

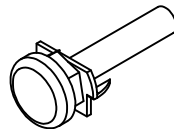
H72988



KD Bolt

[ 4 ]

H209601



Leveler

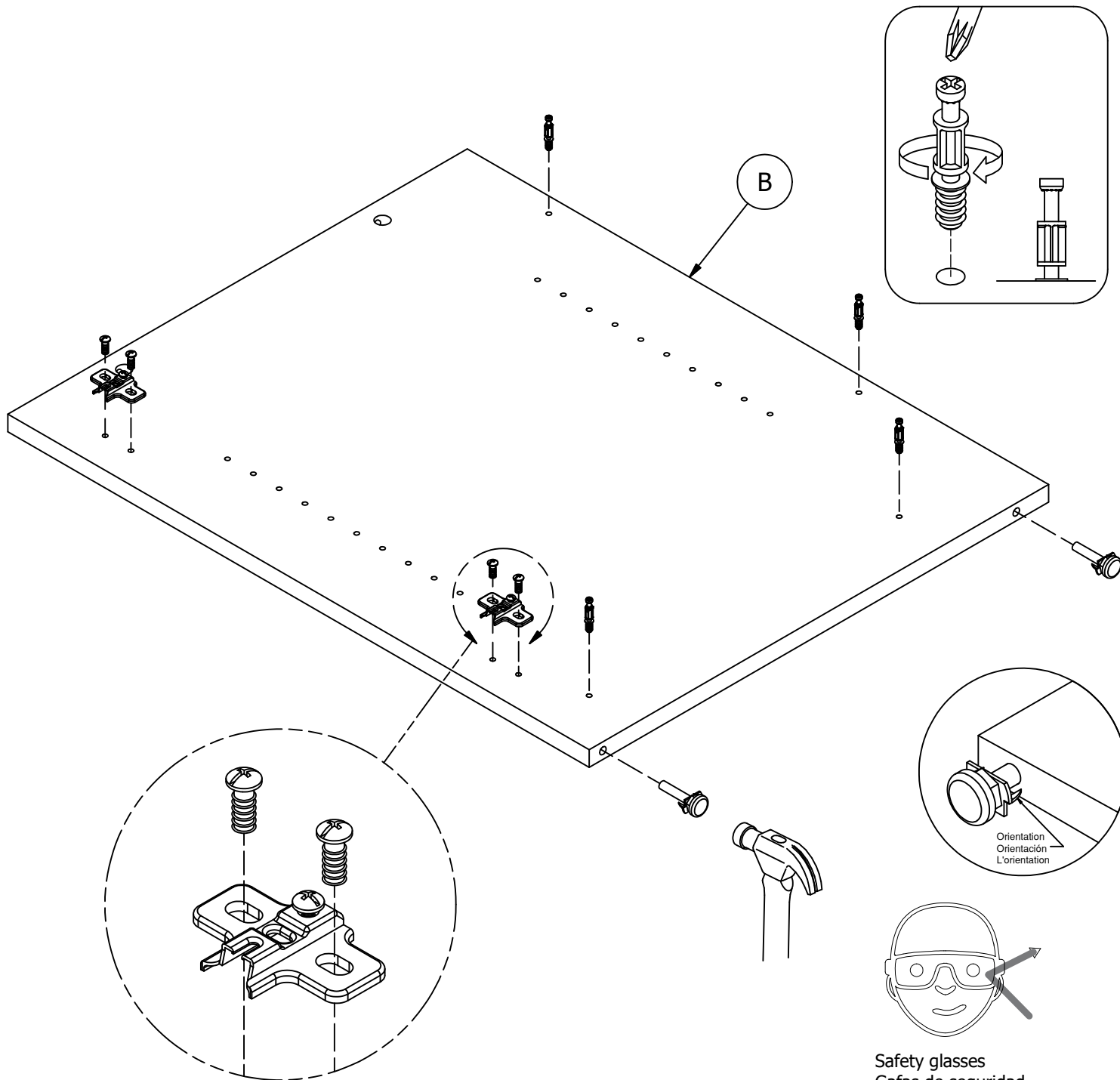
[ 2 ]

H126364



Mounting Plate

[ 2 ]



Have an assembly question or need a replacement part? Just call  
**1-800-950-4782**, we are here to help.

# STEP 6

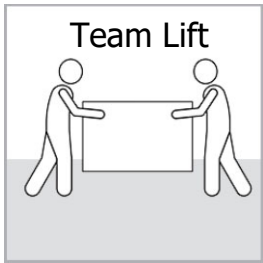
# Assemble Panels

A173950F

Scan QR Code to Watch Video on:



How to Tighten KD Cams

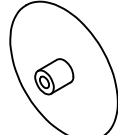


H181468US



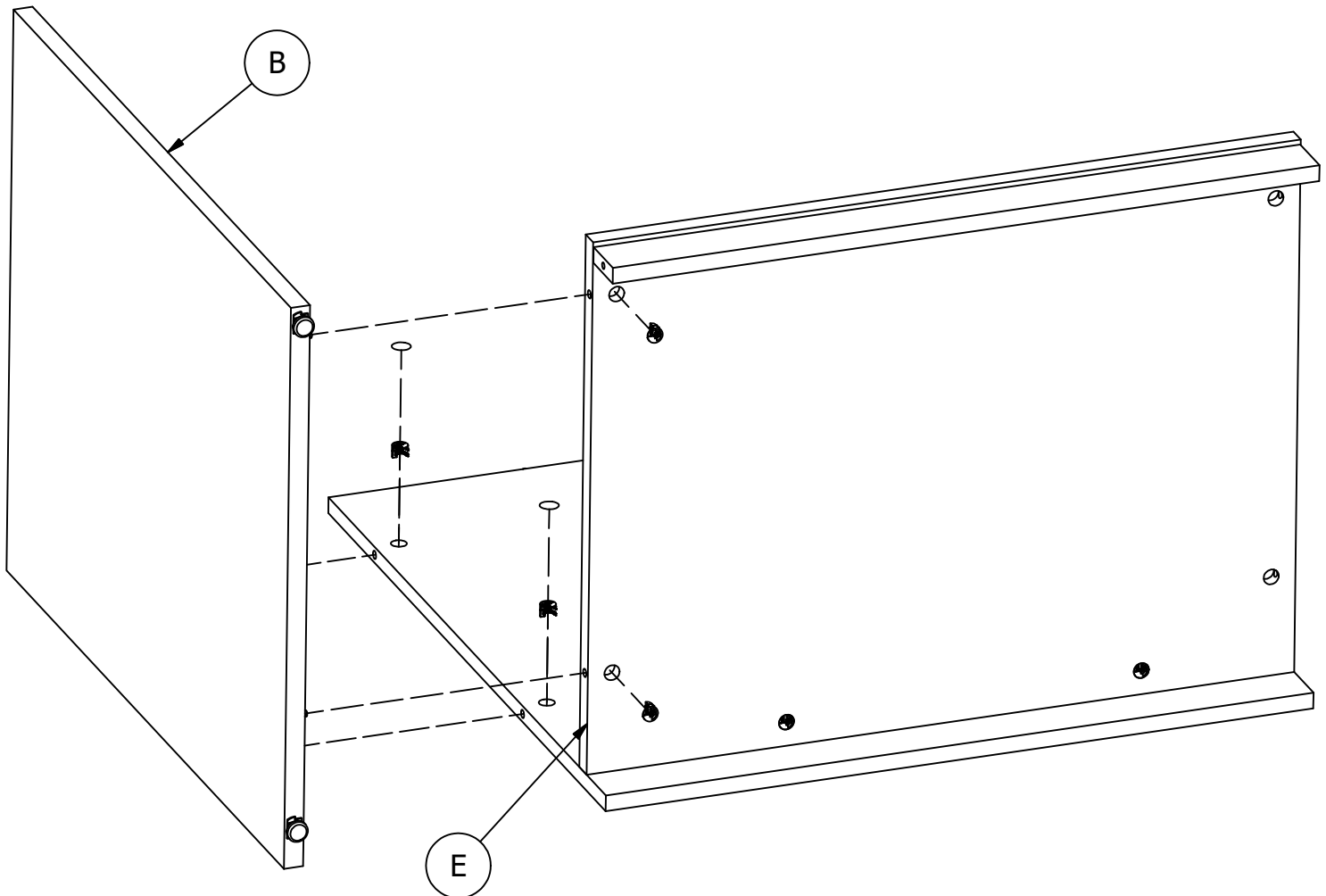
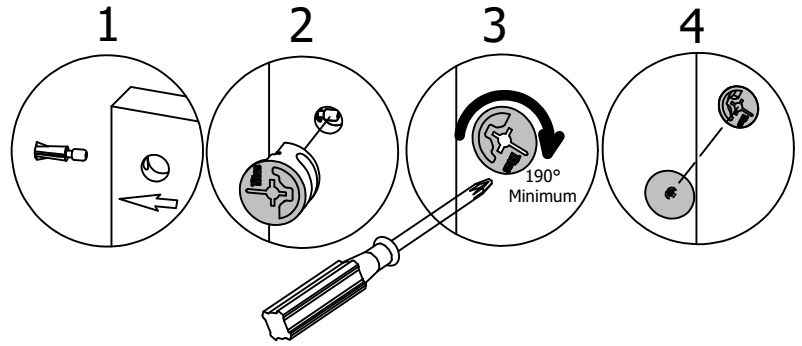
KD Cam3000

[ 4 ]



Cover Cap

[ 2 ]



Have an assembly question or need a replacement part? Just call **1-800-950-4782**, we are here to help.

# STEP 7

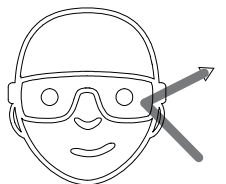
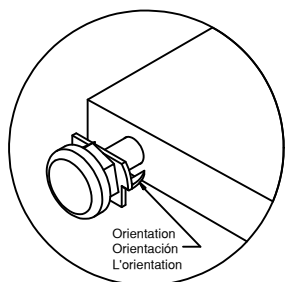
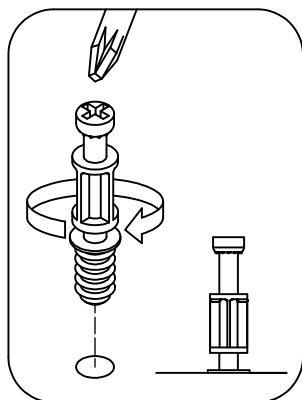
# Prepare Panel

A173950F

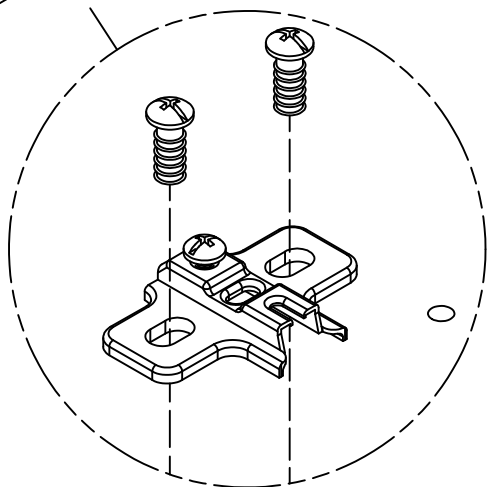
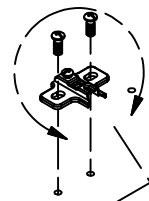
H72988 [ 4 ]  
KD Bolt

H209601 [ 2 ]  
Leveler

H126364 [ 2 ]  
Mounting Plate



Safety glasses  
Gafas de seguridad  
Lunettes de protection



Have an assembly question or need a replacement part? Just call  
**1-800-950-4782**, we are here to help.

# STEP 8

# Assemble Panels

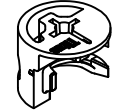
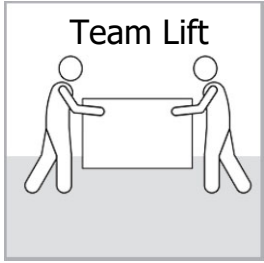
A173950F

Scan QR Code to Watch Video on:

H181468US

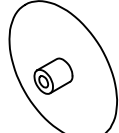


How to Tighten KD Cams



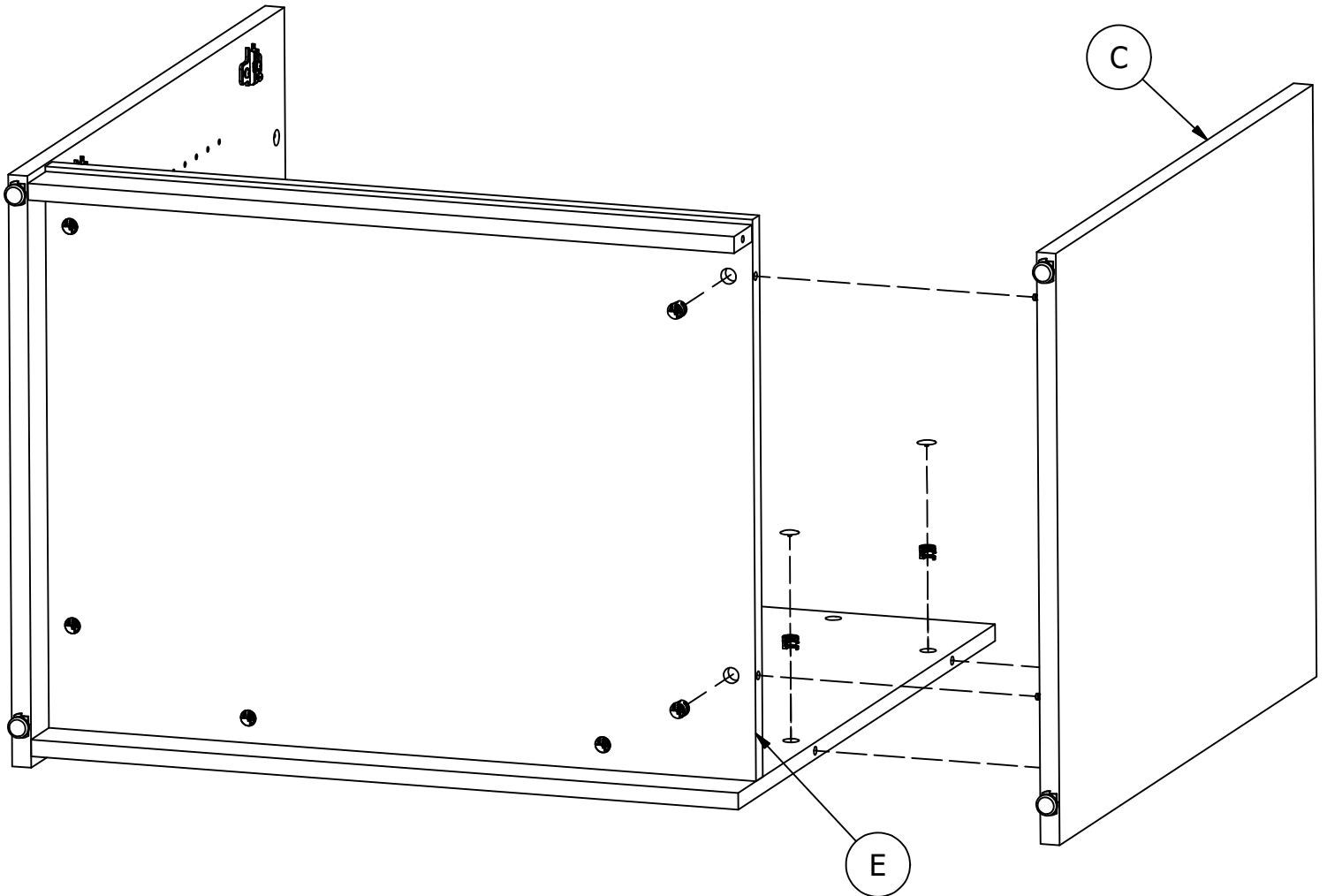
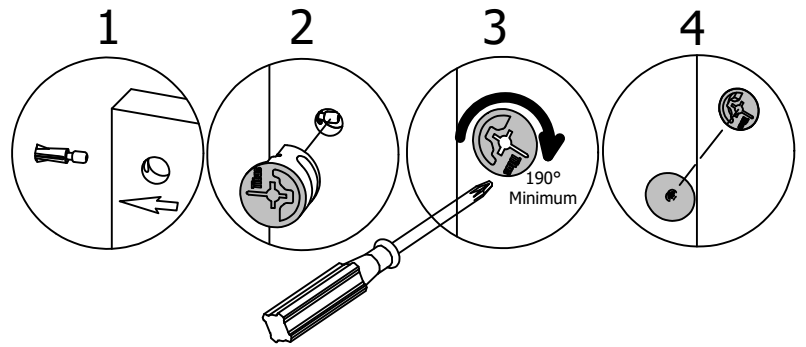
KD Cam3000

[ 4 ]



[ 2 ]

Cover Cap



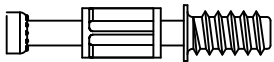
Have an assembly question or need a replacement part? Just call **1-800-950-4782**, we are here to help.

# STEP 9

# Prepare Panel

A173950F

H72988



KD Bolt

[ 5 ]

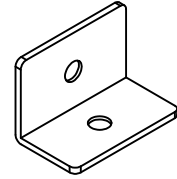
H43507



#8 x 1/2"

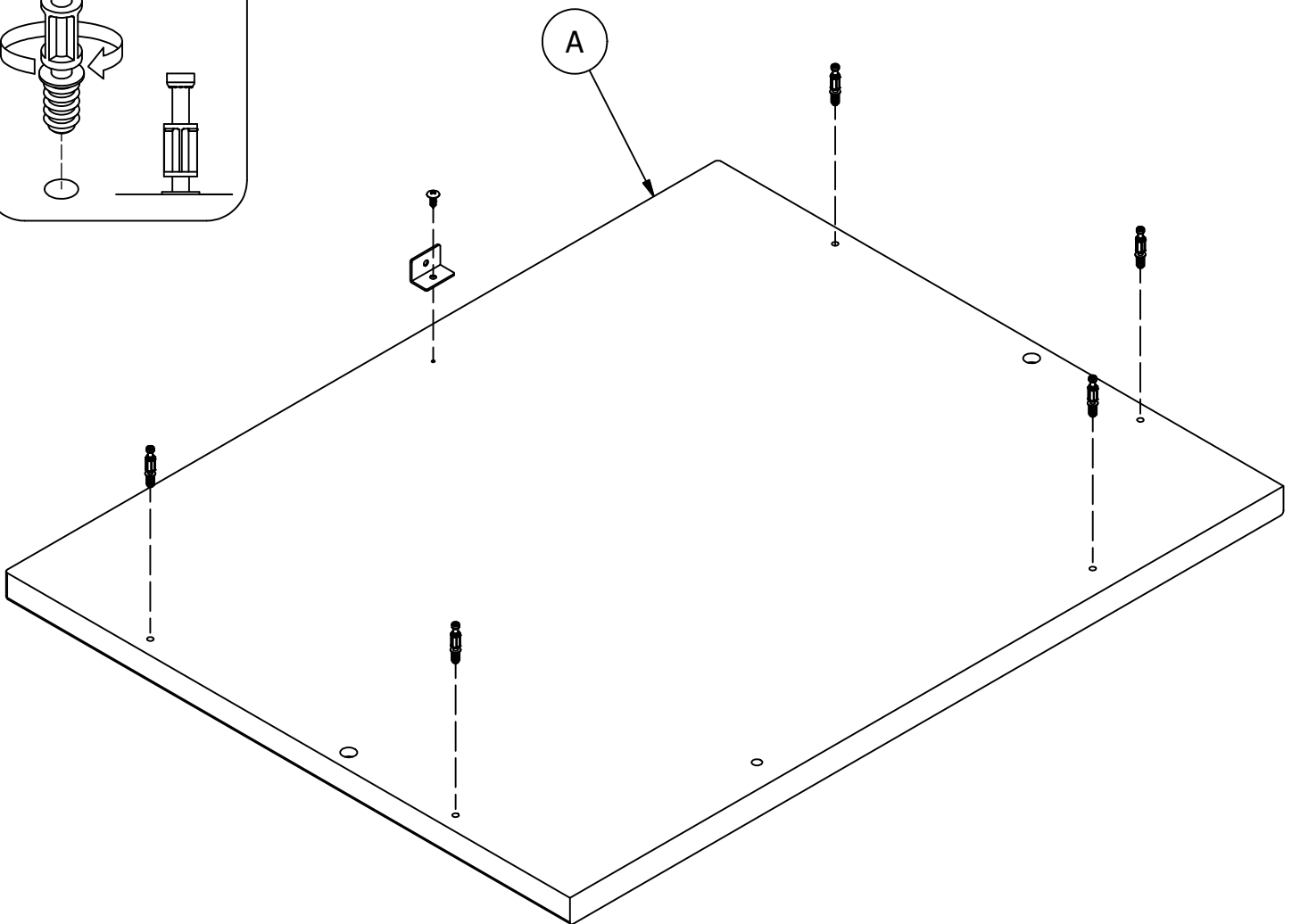
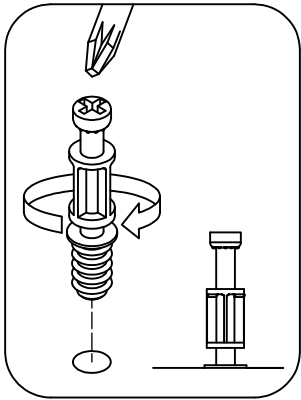
[ 1 ]

H27170



"L" Bracket

[ 1 ]



Have an assembly question or need a replacement part? Just call  
**1-800-950-4782**, we are here to help.



# STEP 10

## Assemble Panels

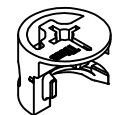
A173950F

Scan QR Code to Watch Video on:



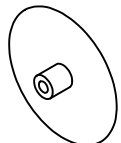
How to Tighten KD Cams

H181468US



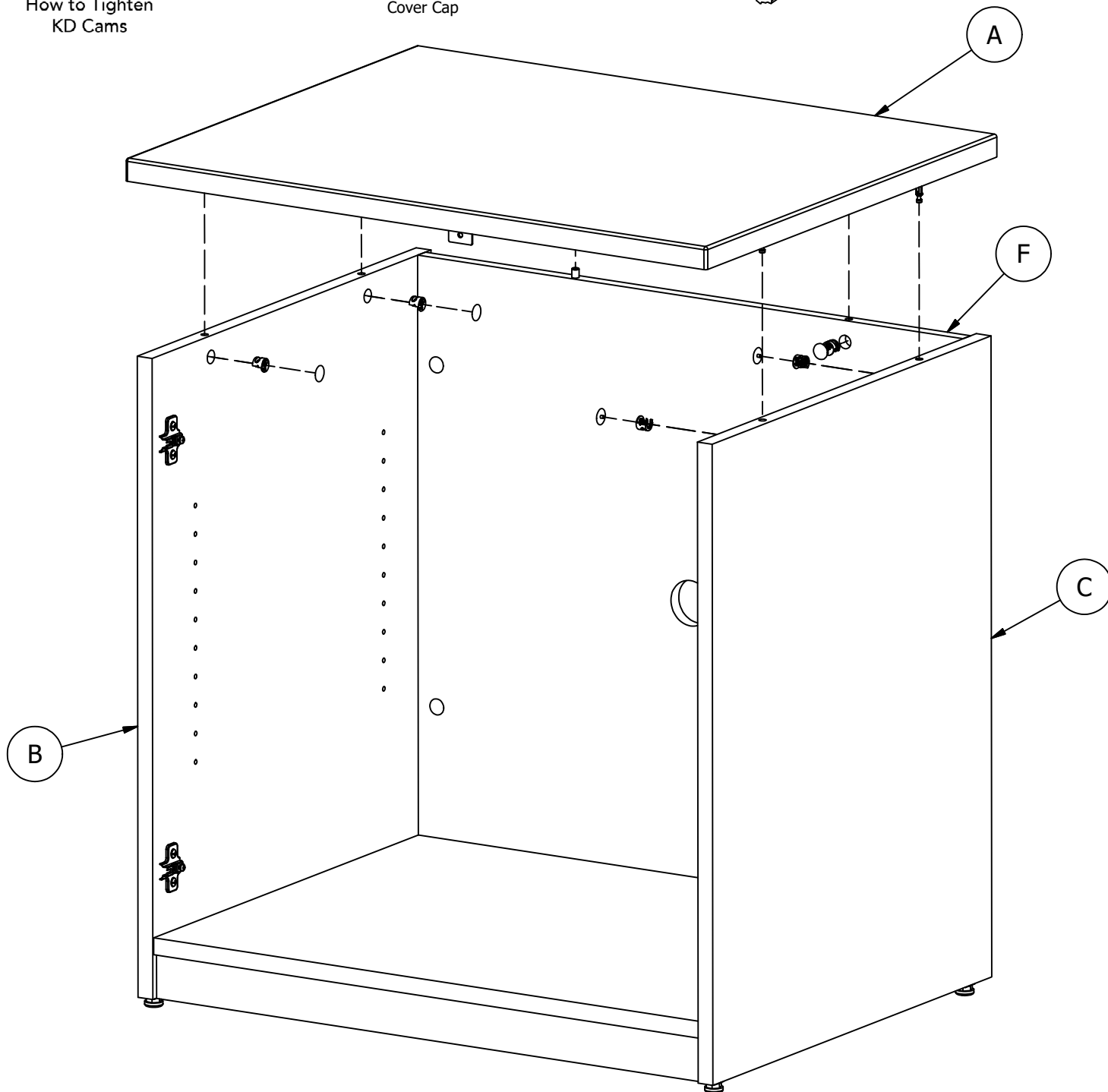
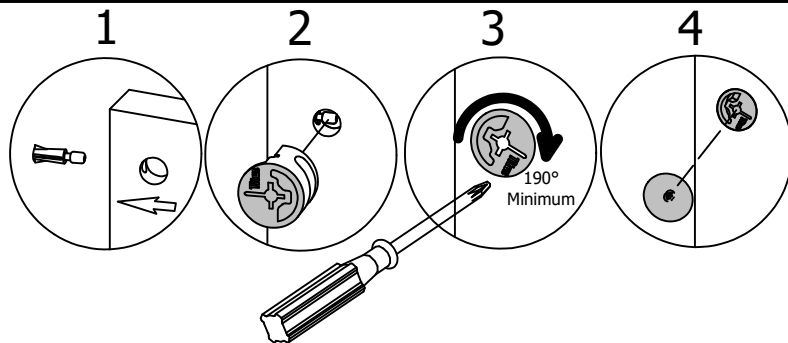
KD Cam3000

[ 5 ]



Cover Cap

[ 5 ]



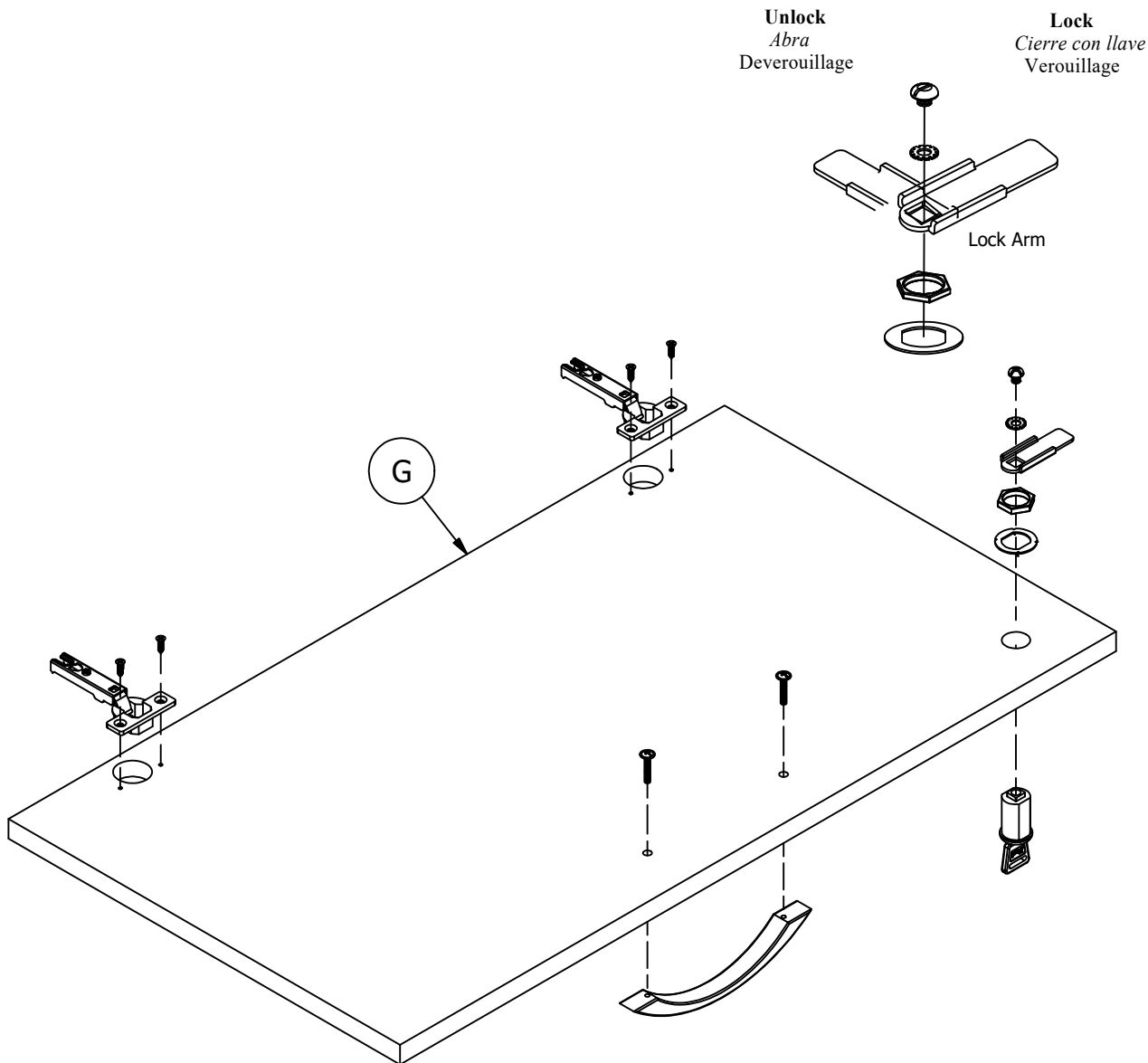
Have an assembly question or need a replacement part? Just call **1-800-950-4782**, we are here to help.

# STEP 11

## Prepare Panel

A173950F

- H126359 [ 2 ] Hinge
- H122276 [ 1 ] Lock Arm
- Z82396 [ 1 ] Cam Lock Assy
- M4 x 22mm [ 2 ]
- H28917 [ 4 ] #6 x 1/2"
- [ 1 ] Handle



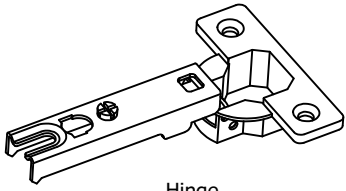
Have an assembly question or need a replacement part? Just call **1-800-950-4782**, we are here to help.

# STEP 12

# Prepare Panel

A173950F

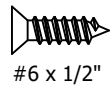
H126359



[ 2 ]

Hinge

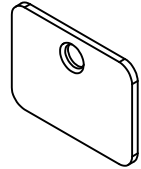
H28917



[ 4 ]

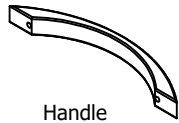
#6 x 1/2"

H24929



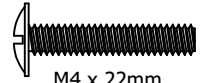
[ 1 ]

Strike plate



[ 1 ]

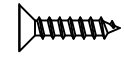
Handle



[ 2 ]

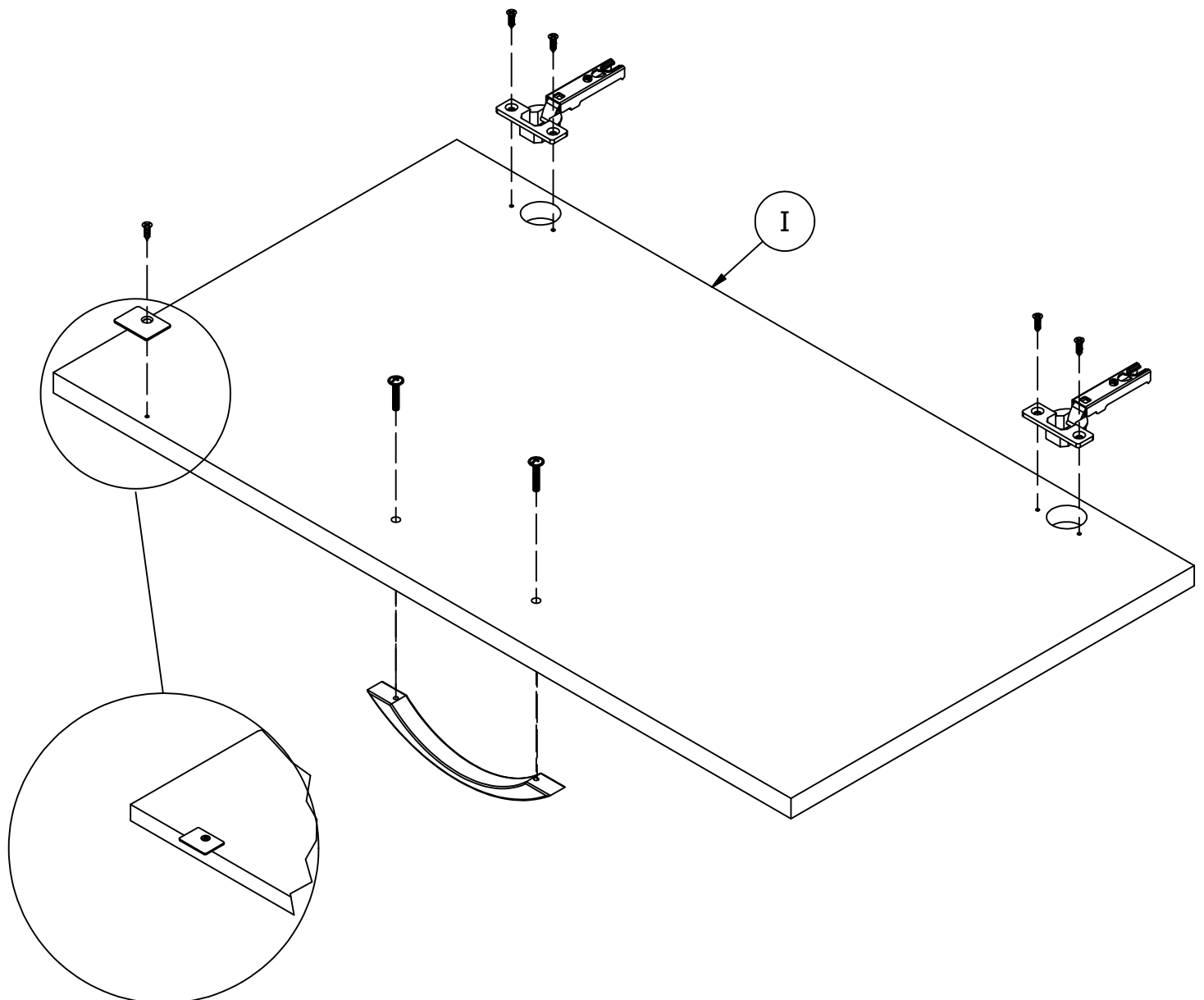
M4 x 22mm

H23338



[ 1 ]

#5 x 1/2"




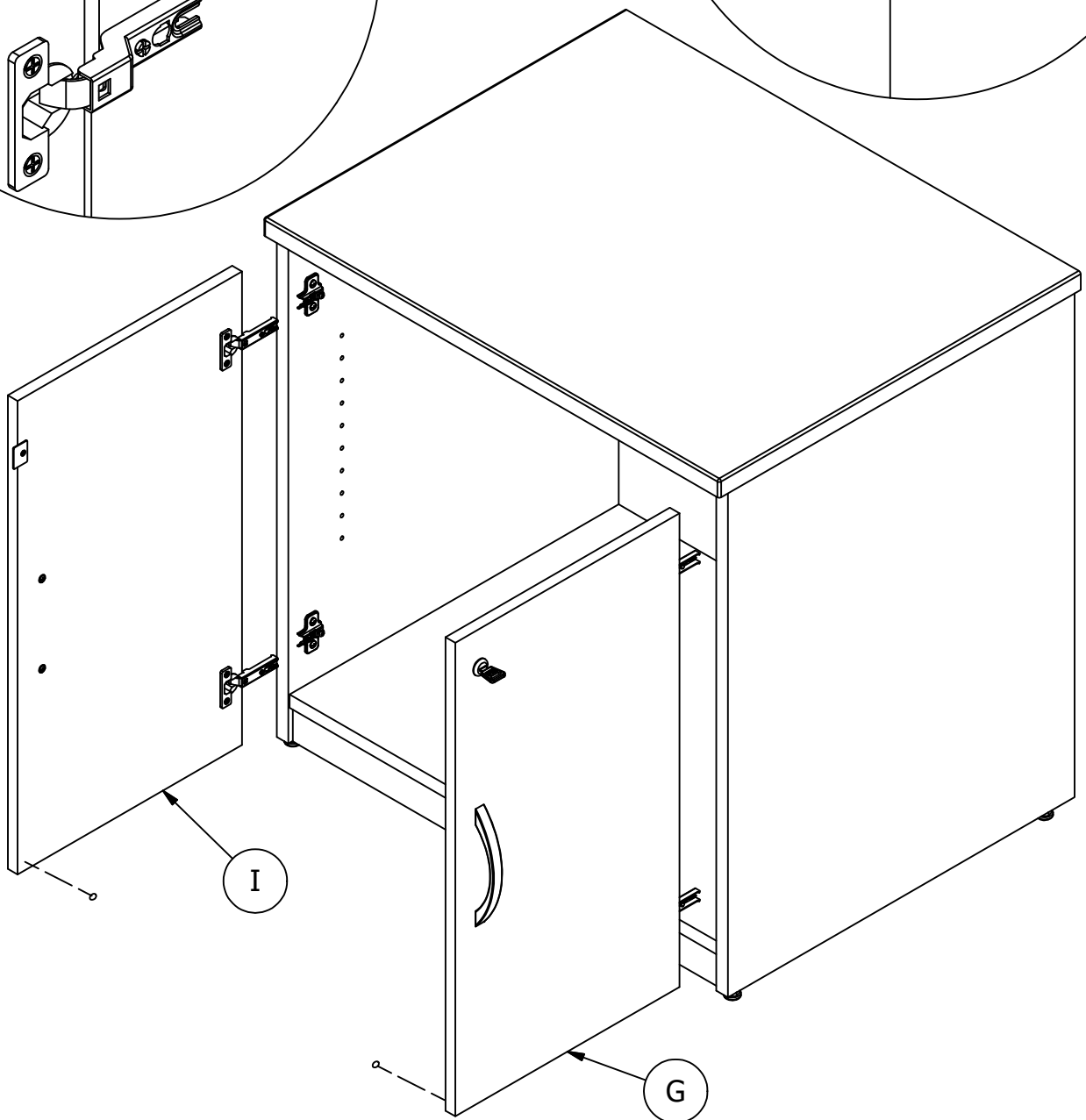
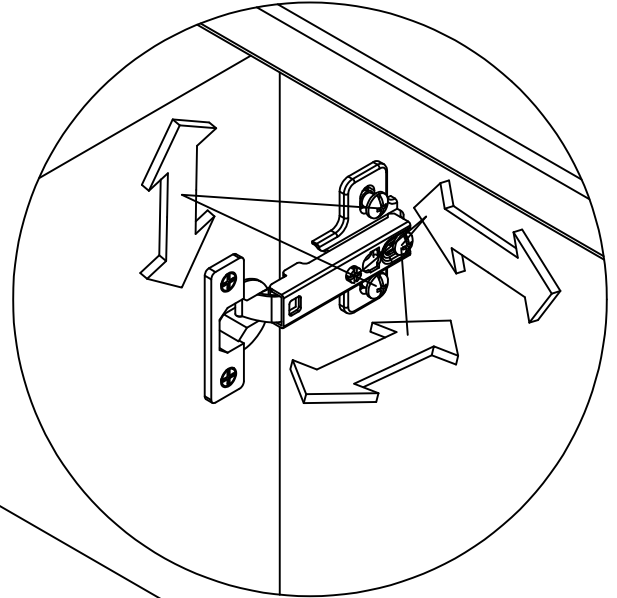
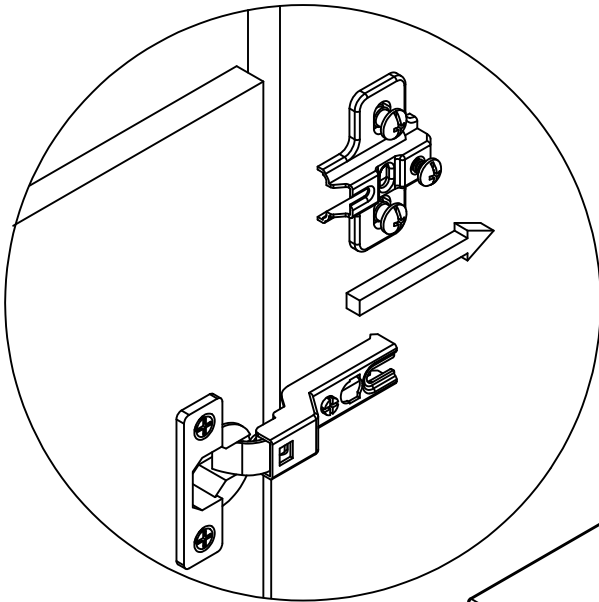
Have an assembly question or need a replacement part? Just call  
**1-800-950-4782**, we are here to help.

# STEP 13

# Attach Panels

A173950F

H215406  [ 2 ]  
Bumper



Have an assembly question or need a replacement part? Just call  
**1-800-950-4782**, we are here to help.

# STEP 14

# Insert Hardware and Panel

A173950F

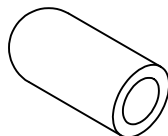
H23604



Shelf Pin

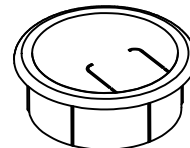
[ 4 ]

H126396



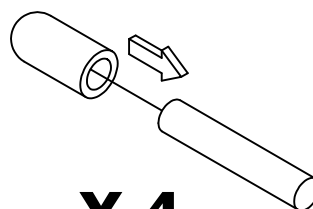
Shelf Pin Sleeve

[ 4 ]

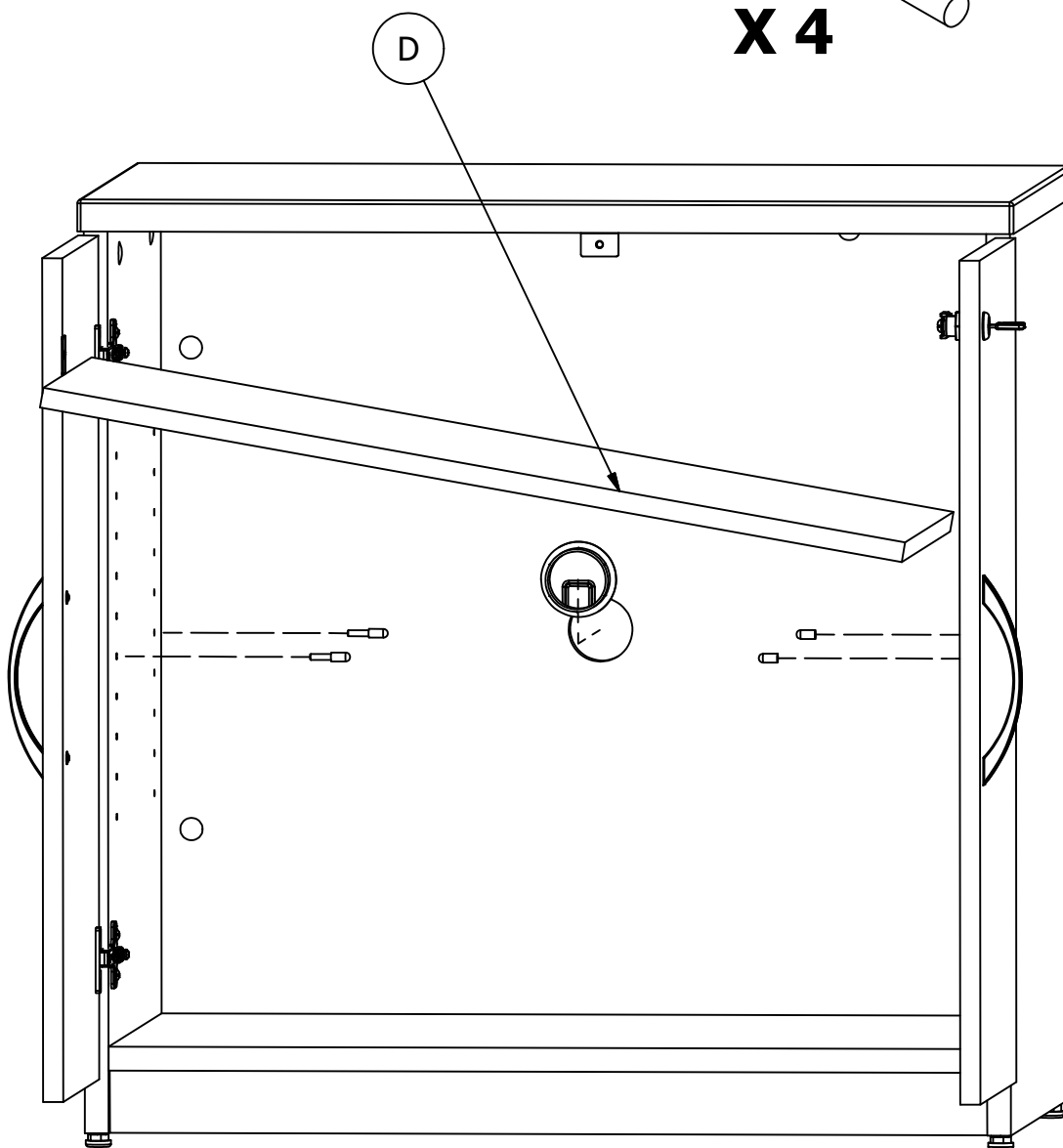


Grommet

[ 1 ]



**X 4**



Have an assembly question or need a replacement part? Just call **1-800-950-4782**, we are here to help.

Scan QR Code to Watch Video on:

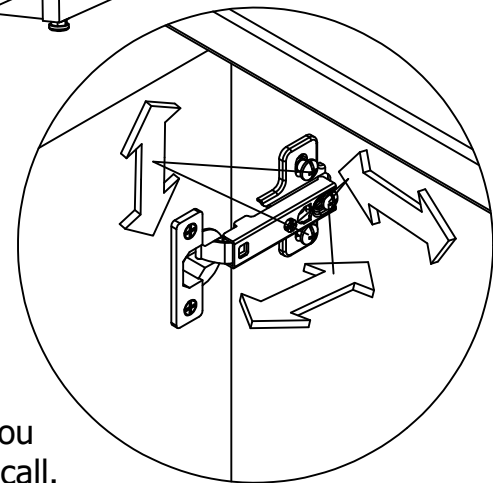
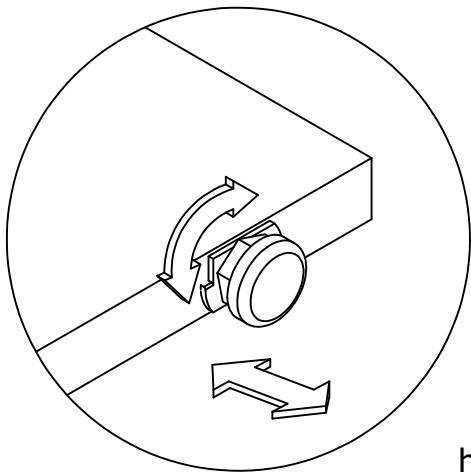
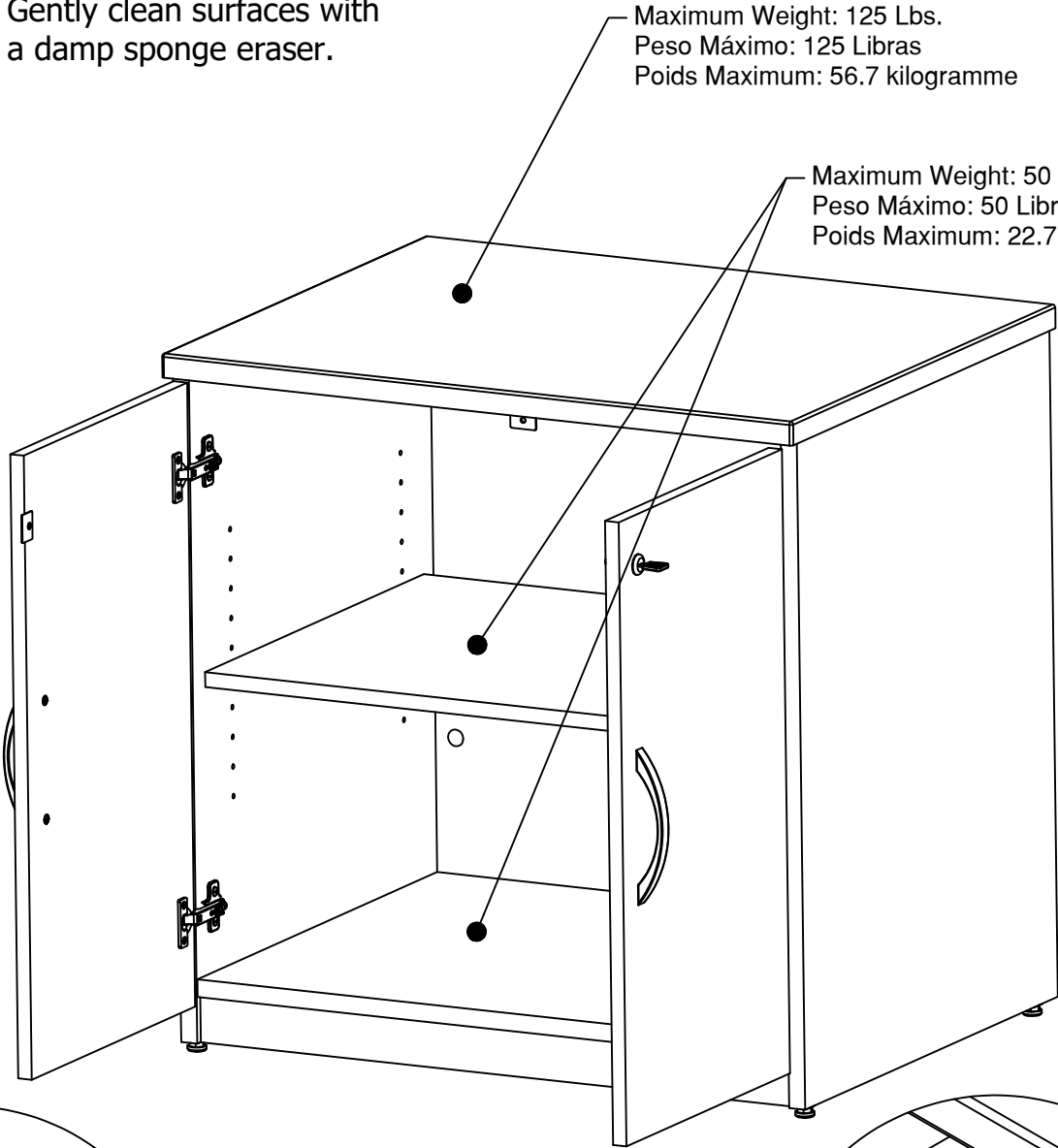


How to Clean the Surface

Gently clean surfaces with a damp sponge eraser.

Maximum Weight: 125 Lbs.  
Peso Máximo: 125 Libras  
Poids Maximum: 56.7 kilogramme

Maximum Weight: 50 Lbs.  
Peso Máximo: 50 Libras  
Poids Maximum: 22.7 kilogramme

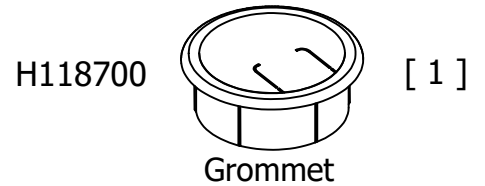
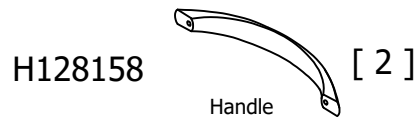
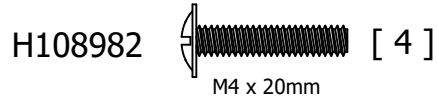


Congratulations! You are all done. If you have any questions or concerns, please call.

Have an assembly question or need a replacement part? Just call **1-800-950-4782**, we are here to help.

## WC12996A

- A [1] W151245
- B [1] W183319
- C [1] W183320
- D [1] W129016
- E [1] W129017
- F [1] W129018
- G [1] W151247
- H [1] W183318
- I [1] W151246



## WC24496A

- A [1] W173784
- B [1] W183321
- C [1] W183322
- D [1] W129974
- E [1] W129975
- F [1] W129976
- G [1] W151222
- H [1] W183319
- I [1] W151221

