

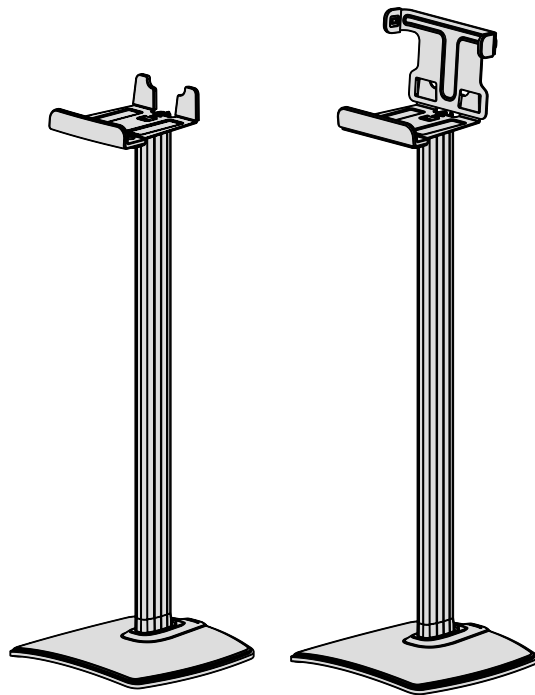
SANUS[®]

A brand of **legrand**

WSS52

WIRELESS SPEAKER STAND

INSTRUCTION MANUAL



We'll Make It Stress-Free

If you have any questions along the way, just give us a call. We're ready to help!

US: +1 (800) 359-5520 • **UK:** +44 (0) 800 056 2853 • **EMEA:** +31 (0) 495 580 852

Before getting started, let's make sure this product is perfect for you!

This stand is designed to support the Sonos® PLAY:5™ and Five™ speaker only.

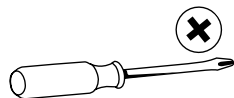
⚠ CAUTION: Avoid potential personal injuries and property damage!

- Check your speaker owner's manual to see if there are any special requirements for mounting your speaker.
- Please read through these instructions completely to be sure you're comfortable with this easy install process.
- Do not use this product for any purpose not explicitly specified by manufacturer.
- Manufacturer is not responsible for damage or injury caused by incorrect assembly or use.
- If you do not understand these instructions or have doubts about the safety of the installation, assembly or use of this product, contact Customer Service at: US: +1 (800) 359-5520 · UK: +44 (0) 800 056 2853 · EMEA: +31 (0) 495 580 852.

Speaker Weight Limit
DO NOT EXCEED



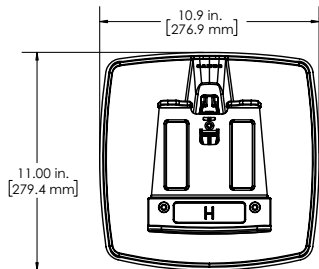
Tool Needed



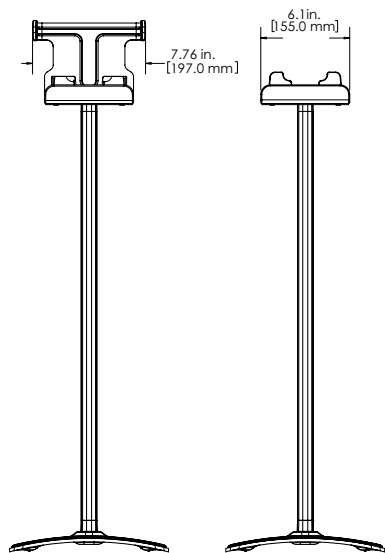
Screwdriver

Dimensions

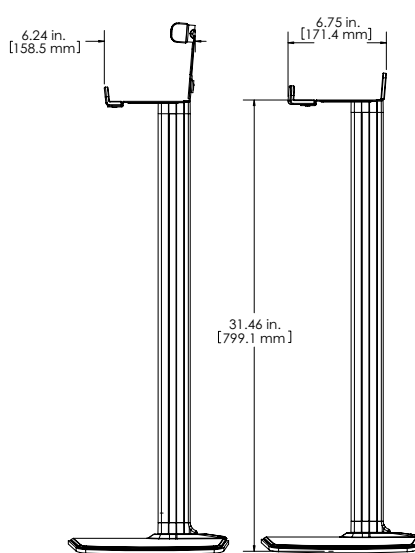
TOP VIEW



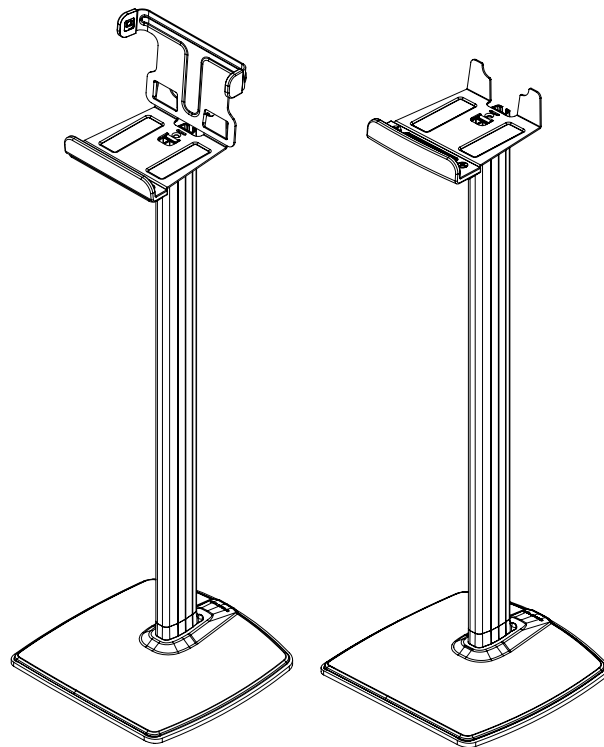
FRONT VIEW



SIDE VIEW



3-D



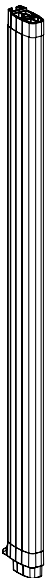
Parts and Hardware

⚠ WARNING: This product contains small items that could be a choking hazard if swallowed.

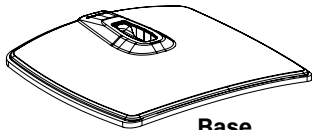
Before starting assembly, verify all parts are included and undamaged. If any parts are missing or damaged, do not return the damaged item to your dealer; contact Customer Service. Never use damaged parts!

📄 NOTE: Not all hardware included will be used.

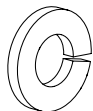
STEPS 1 & 2



01 x1
Shaft



02 x1
Base

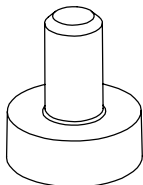


03 x2
Lock Washer



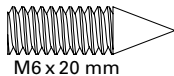
04 x2
Shaft Screw
M6 x 20mm

STEP 3



05 x4
Rubber Pad

OPTIONAL

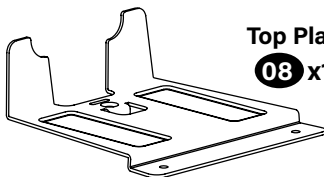


M6 x 20 mm
06 x4
Carpet Spike

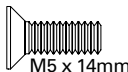


07 x4
Jam Nut
M6

STEP 4



08 x1
Top Plate



09 x1
M5 Screw
M5 x 14mm

STEP 5

Horizontal Orientation



10 x1
Front Horizontal
Bumper

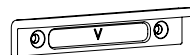


11 x2
Rear Bumpers

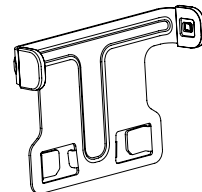


14 x2
Front Bumper
Screws
1/4-20 x 1/2"

Vertical Orientation

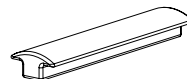


12 x1
Front Vertical
Bumper



13 x1
Vertical Bracket

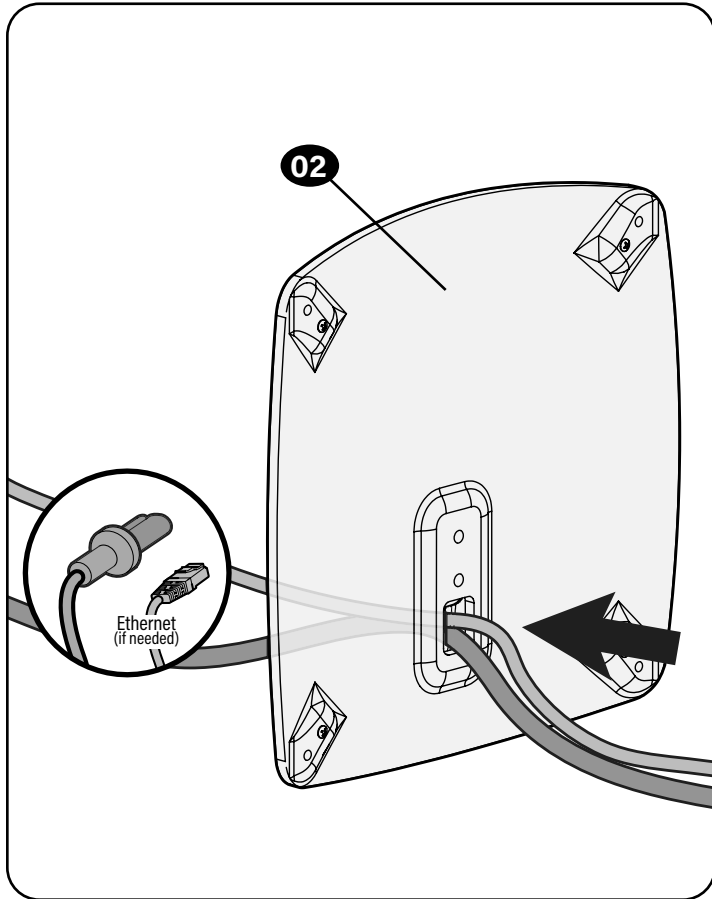
STEP 7



15 x2
Clip

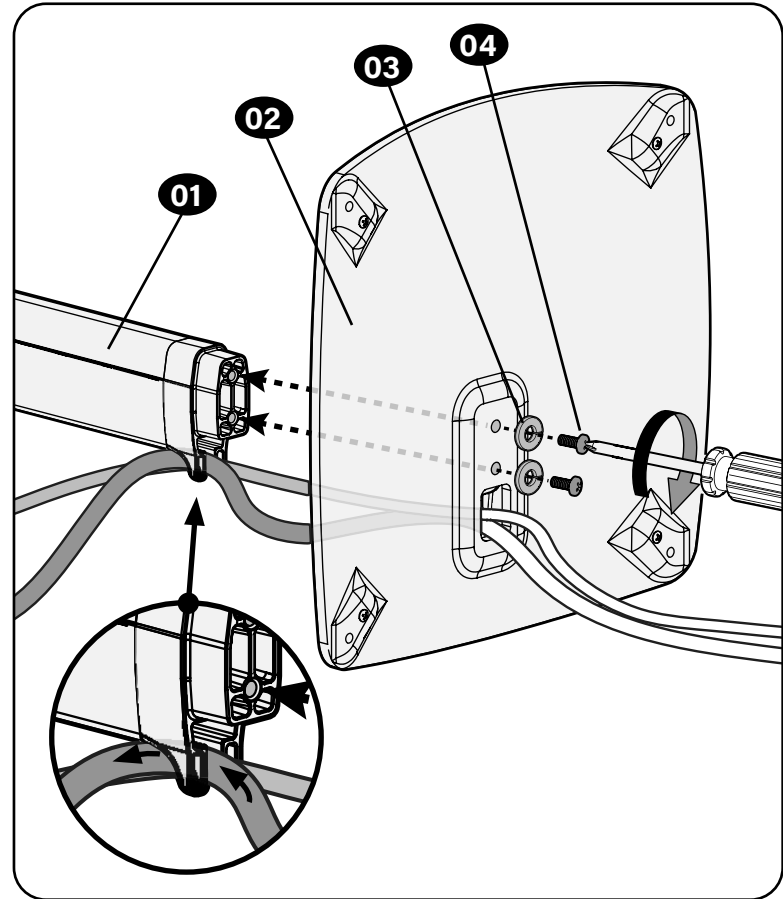
STEP 1

Route Power Cables



STEP 2

Attach Base to Shaft

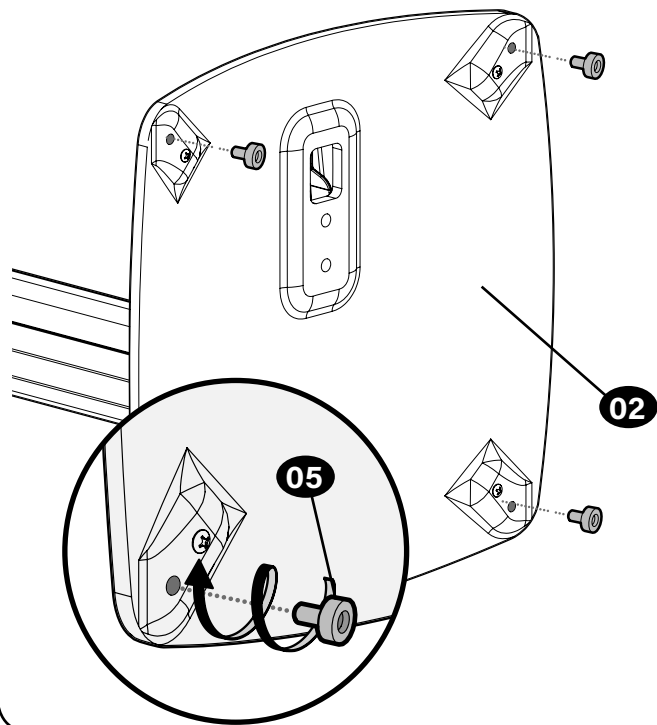


STEP 3

Install Rubber Pads -or- Carpet Spikes

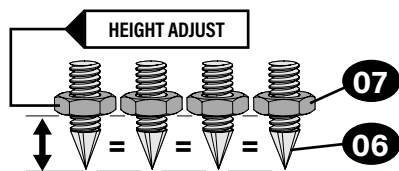
Rubber Pads

Twist rubber pads **05** into the base **02**.

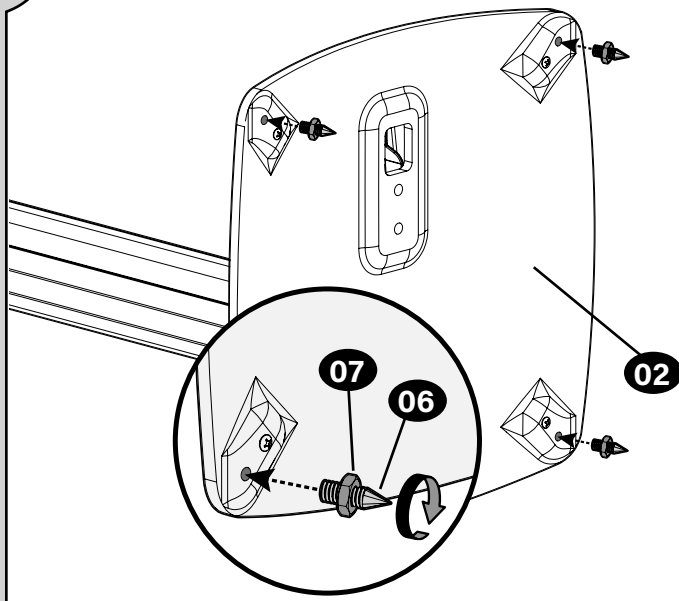


OR

Optional Carpet Spikes

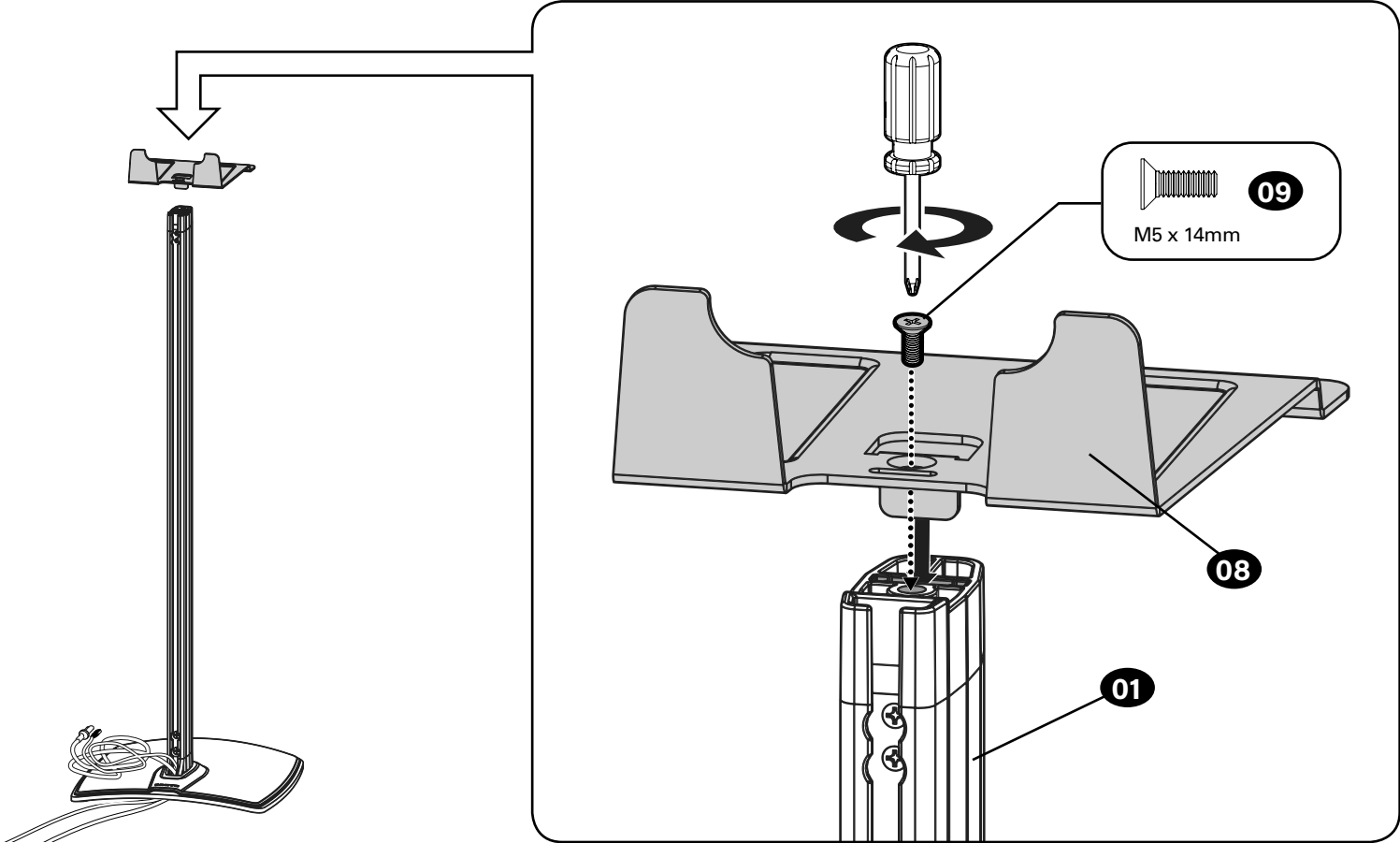


⚠ WARNING:
The ends of carpet spikes **06** are sharp and may scratch flooring, damage wiring, or be hazardous to children.



STEP 4

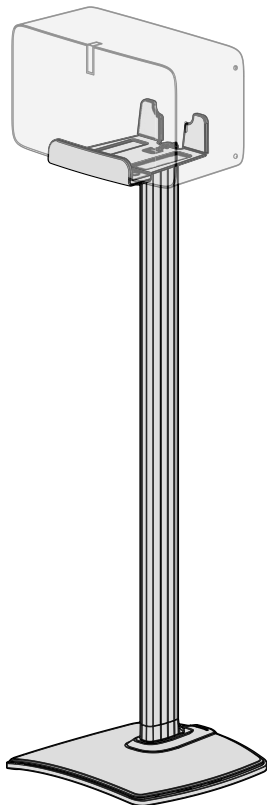
Attach Top Plate to Shaft



STEP 5

Determine Speaker Orientation

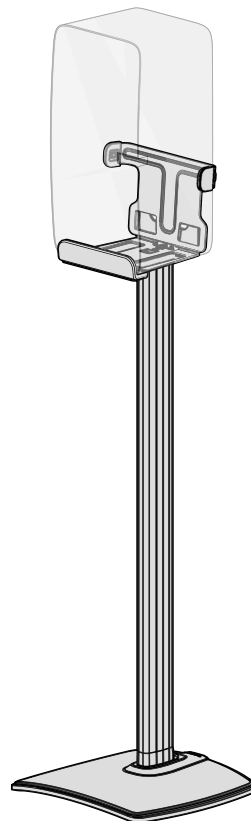
Horizontal Orientation



Go to STEP 5A on
PAGE 9

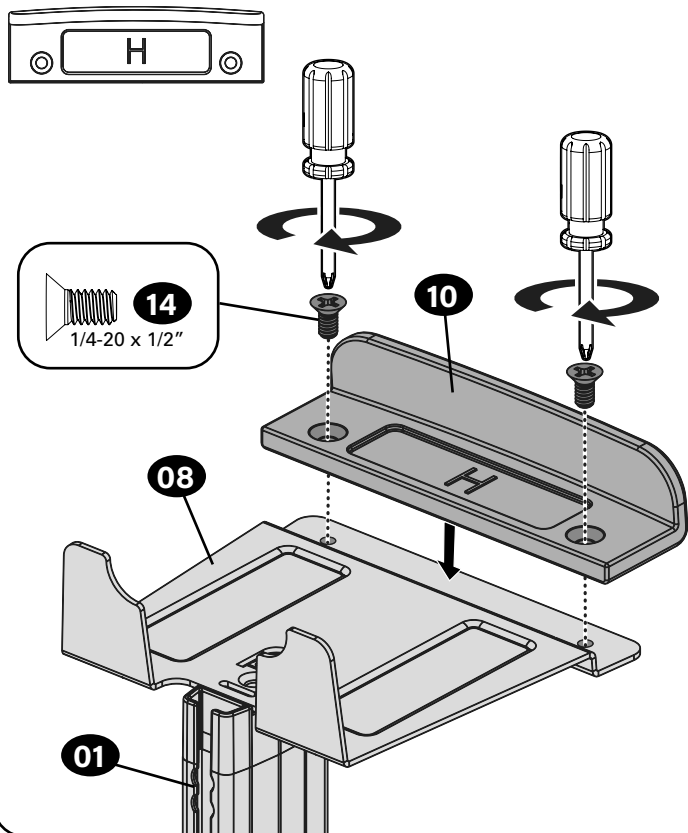
OR

Vertical Orientation

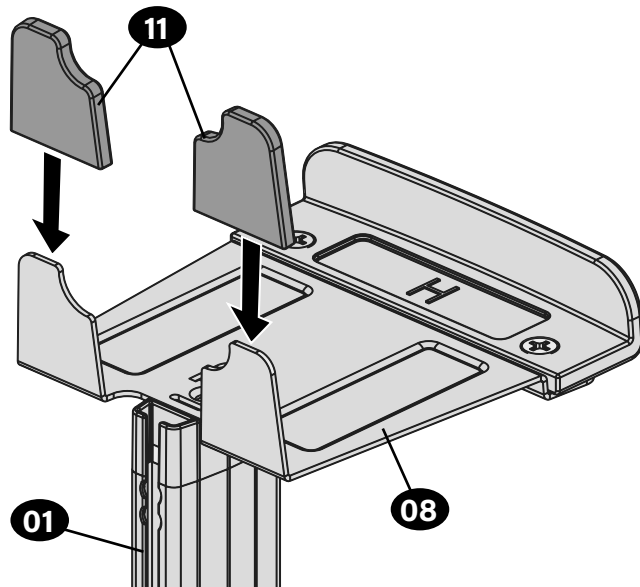


Go to STEP 5B
on PAGE 10

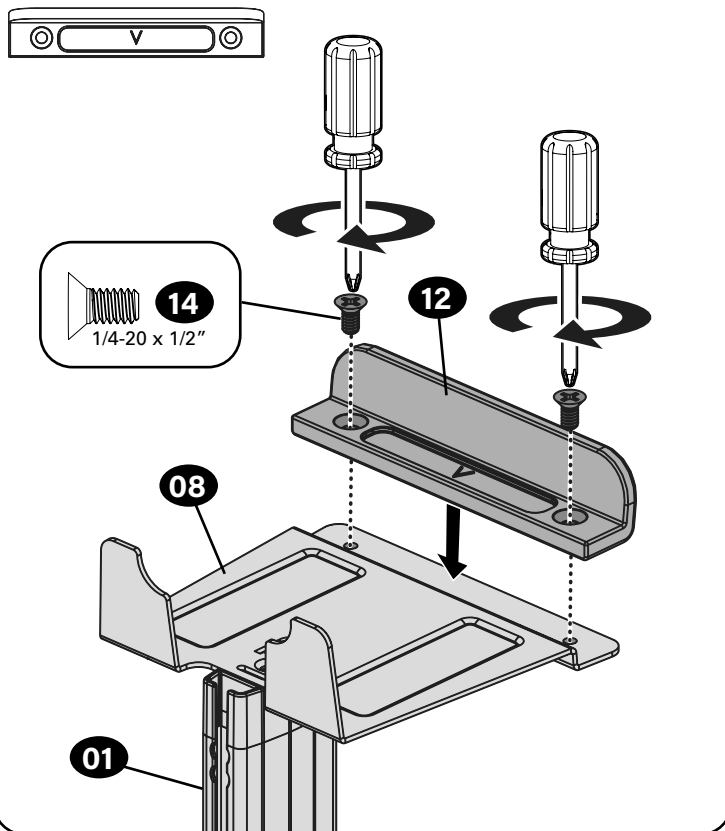
1 Install Front Bumper



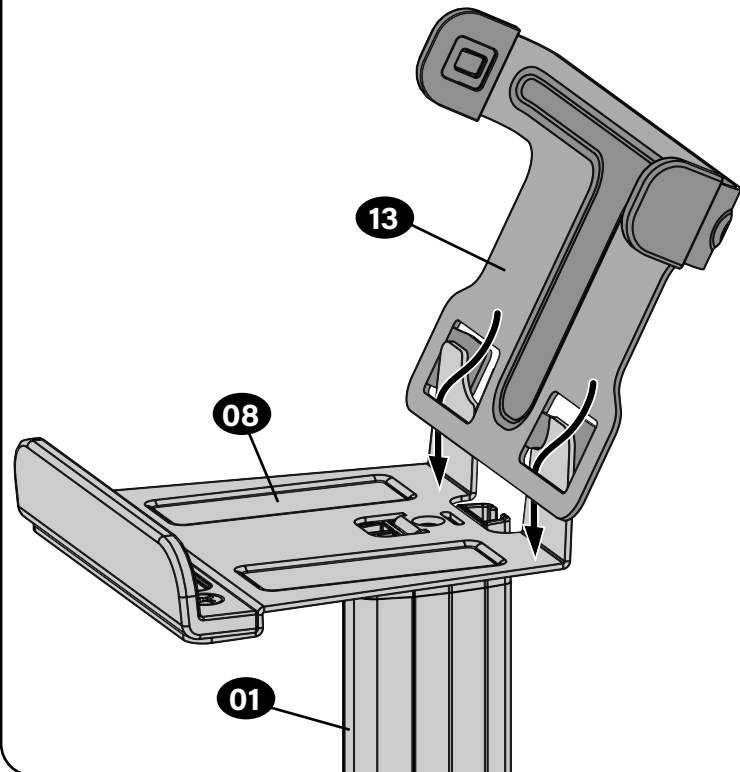
2 Install Rear Bumpers



1 Install Front Bumper



2 Slide Rear Bracket onto Rear Tabs

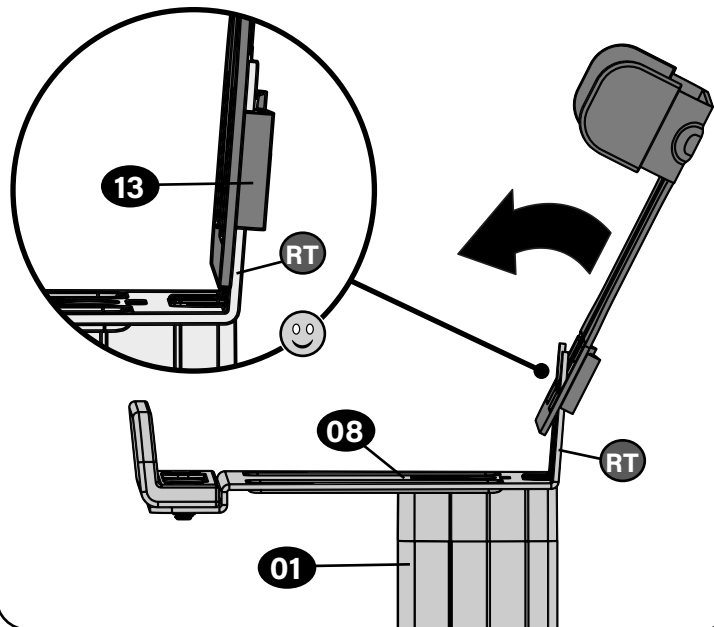


3 Rotate Rear Bracket Forward

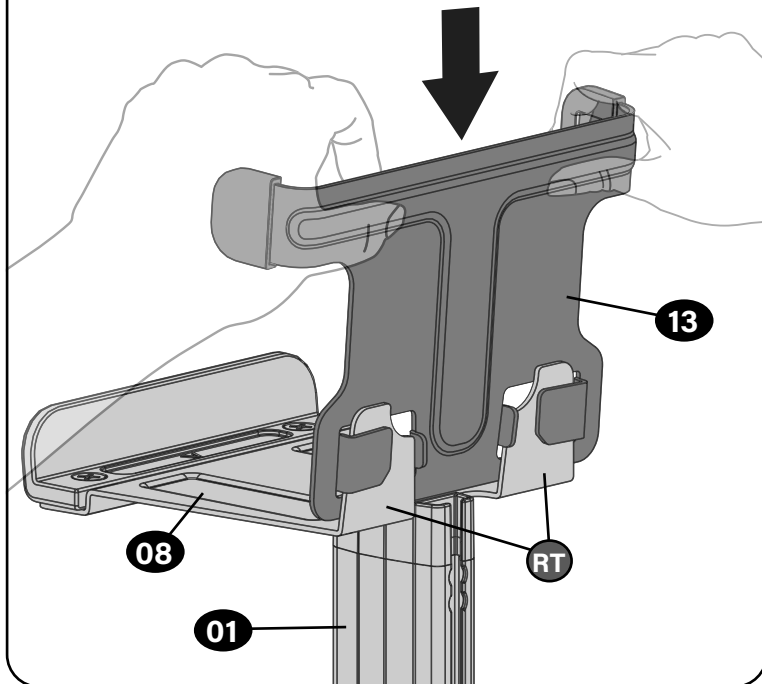
Rotate the vertical bracket **13** forward until the rear tabs **RT** on the top plate **08** are behind the vertical bracket **13**.

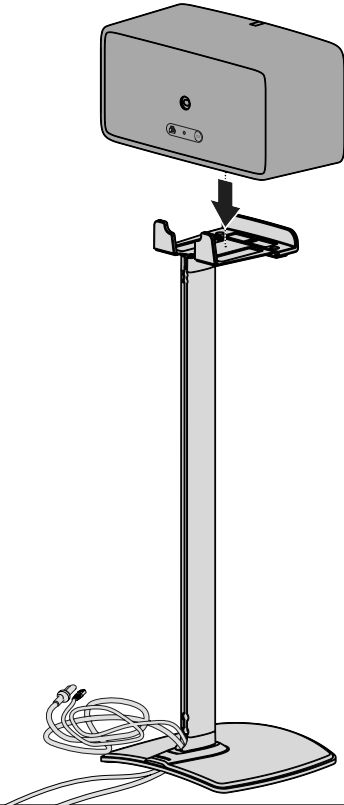
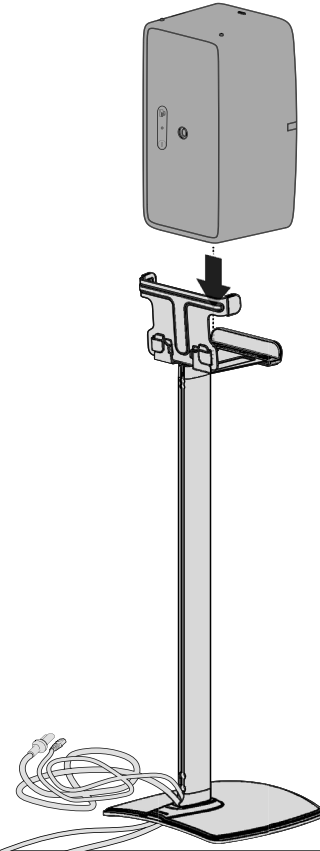


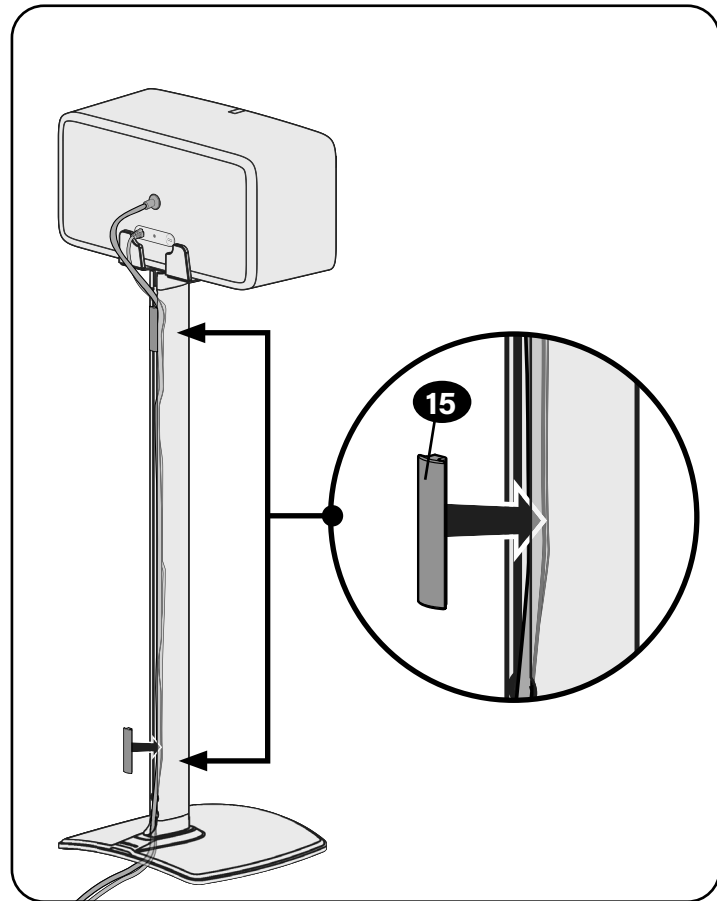
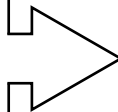
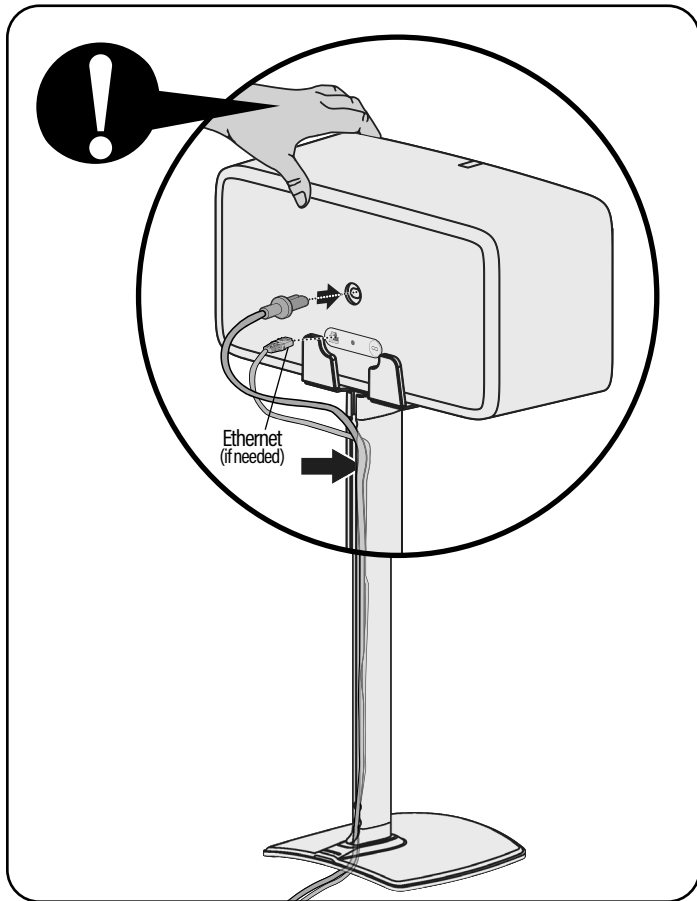
CAUTION: Apply light force - **DO NOT OVERBEND**



4 Secure Rear Bracket



Horizontal Orientation**OR****Vertical Orientation**



English

Legrand AV Inc and its affiliated corporations and subsidiaries (collectively, "Legrand"), intend to make this manual accurate and complete. However, Legrand makes no claim that the information contained herein covers all details, conditions, or variations. Nor does it provide for every possible contingency in connection with the installation or use of this product. The information contained in this document is subject to change without notice or obligation of any kind. Legrand makes no representation of warranty, expressed or implied, regarding the information contained herein. Legrand assumes no responsibility for accuracy, completeness or sufficiency of the information contained in this document.

Español

Legrand AV Inc y sus empresas asociadas y filiales (colectivamente "Legrand") tienen la intención de que este manual sea preciso y completo. Sin embargo, Legrand no garantiza que la información que contiene incluya todos los detalles condiciones y variaciones, ni que contemple toda posible contingencia en conexión con la instalación y uso de este producto. La información contenida en este documento es susceptible de ser modificada sin aviso ni obligación de ningún tipo. Legrand no hace ninguna manifestación de garantía, explícita o implícita, respecto a la información contenida este documento. Legrand no asume ninguna responsabilidad por la exactitud, integridad o suficiencia de la información contenida en este documento.

Français

Legrand AV Inc et ses sociétés affiliées et ses filiales (collectivement dénommées « Legrand »), se sont efforcées de rendre ce manuel précis et complet. Cependant, Legrand ne garantit pas que les informations qu'il contient couvrent tous les détails et toutes les conditions ou variations. Il ne pare pas non plus à toute éventualité relative à l'installation ou à l'utilisation de ce produit. Les informations contenues dans ce document peuvent faire l'objet de modifications sans avertissement ou obligation préalable quelconque. Legrand ne donne aucune garantie explicite ou implicite quant aux informations contenues dans le manuel. Legrand n'assume aucune responsabilité quant à l'exactitude, l'exhaustivité ou la suffisance des informations contenues dans ce document.


Deutsch

Die Legrand AV Inc und ihre angegliederten Unternehmen und Tochtergesellschaften (Sammelbegriff: "Legrand") sind um genaue und vollständige Abfassung dieser Anleitung bemüht. Legrand beansprucht jedoch nicht, dass die hierin enthaltenen Informationen alle Details, Bedingungen oder Varianten umfassen. Auch sind darin nicht alle Eventualitäten in Verbindung mit Montage oder Gebrauch dieses Produkts abgedeckt. Die in diesem Dokument enthaltenen Informationen können ohne Ankündigung oder Verpflichtung jeder Art geändert werden. Legrand haftet weder ausdrücklich noch stillschweigend für die in diesem Dokument enthaltenen Informationen. Legrand übernimmt keine Haftung für Genauigkeit, Vollständigkeit oder Hinlänglichkeit der in diesem Dokument enthaltenen Informationen.

Nederlands

Legrand AV Inc en haar aangesloten bedrijven en dochterondernemingen (verder samen te noemen: "Legrand") hebben de intentie deze montagehandleiding zo accuraat en volledig mogelijk te maken. Echter, Legrand claimt niet dat de informatie in deze montagehandleiding een weergave vormt van alle denkbare details, voorwaarden en variaties. Legrand claimt ook niet dat het rekening heeft gehouden met iedere mogelijke eventualiteit in verband met de installatie of het gebruik van dit product. De informatie in deze montagehandleiding is onderhevig aan verandering zonder dat Legrand verplicht is zulks te berichten, en zonder dat Legrand dienaangaande enigerlei andere verplichtingen heeft. Legrand doet geen enkele uitspraak van waarborg, expliciet noch impliciet, met betrekking tot de informatie die in deze montagehandleiding is opgenomen. Legrand aanvaardt geen enkele verantwoordelijkheid voor de accuraatheid, volledigheid of geschiktheid van de informatie die in dit document is opgenomen.

SANUS®

A brand of  Legrand

Thank you for choosing SANUS! Please take a moment to let us know how we did:

Legrand AV Inc.

6436 City West Parkway
Eden Prairie, MN 55344 USA

US: +1 (800) 359-5520

SANUS.com

Legrand AV Netherlands B.V.

Franklinstraat 14
6003 DK Weert Netherlands

UK: +44 (0) 800 056 2853

EMEA: +31 (0) 495 580 852

SANUS.com

Authorized Representative for the UK

Starline Holding Technology Ltd.
Unit C Island Road
Reading RG2 0RP UK

Legrand AV Inc. and its affiliated corporations and subsidiaries (collectively, "Legrand"), intend to make this manual accurate and complete. However, Legrand AV makes no claim that the information contained herein covers all details, conditions, or variations. Nor does it provide for every possible contingency in connection with the installation or use of this product. The information contained in this document is subject to change without notice or obligation of any kind. Legrand AV makes no representation of warranty, expressed or implied, regarding the information contained herein. Legrand AV assumes no responsibility for accuracy, completeness or sufficiency of the information contained in this document.

©2021 Legrand AV Inc. All rights reserved. SANUS is a brand of Legrand.

Sonos and Sonos product names are trademarks or registered trademarks of Sonos, Inc.

Legrand AV Inc. • 6436 City West Parkway • Eden Prairie, MN 55344 USA

6901-602715 00