




ASSEMBLY INSTRUCTIONS / NOTICE DE MONTAGE / INSTRUCCIONES DE MONTAJE

ITEM NO. / ARTICLE NO. / ARTICULO NO : DS-2540-850A

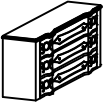


DESCRIPTION / DESCRIPCIÓN : Fancy Overlay Drawer Chest/Coffre avec caprice recouvrement/Cajones con la capa de lujo

WARNING	
	<p>Serious or fatal crushing injuries can occur from furniture tip-over. To help prevent tip-over:</p> <ul style="list-style-type: none"> • Install tipover restraint provided. • Place heaviest items in the lowest drawers. • Do not set TV's or other heavy objects on top of this product, unless the product is specifically designed to accommodate them. • Never allow children to climb or hang on drawers, doors, or shelves. • Never open more than one drawer at a time. (OR) • Do not defeat or remove the drawer interlock system. <p>Use of tip-over restraints may only reduce, but not eliminate, the risk of tip-over.</p> <p><i>This is a permanent label. Do not remove!</i></p>

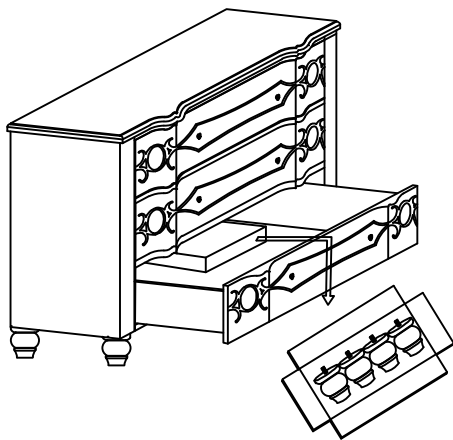
**REPLACEABLE PART /
PARTIE REMPLAÇABLE / PARTE REEMPLAZABLE**

 <p>x6 RDS2540850-KNOB-Knob with Screw * POIGNÉE et vis TIRADOR y Tornillo</p>
 <p>x4 RDS2540850-FOOT - Bun Foot * Pied en forme d'oignon Pata redonda</p>
 <p>x4 RDS2540850-LEVE- Leveler * Patin réglable Nivelador</p>

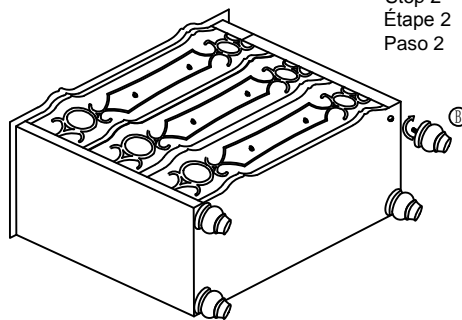
Parts list/Liste des pièces/Lista de piezas:

 <p>A</p> <p>1x Accent Chest Coffre * 1x décoratif 1x Baúl decorativo</p>	 <p>B</p> <p>x4 Bun Foot * x4 Pied en forme d'oignon x4 Pata redonda</p>	 <p>C</p> <p>x1 Furniture Tipping Restraint * x1 Systeme antibasculement x1 Control para evitar vulcos</p>
---	--	--

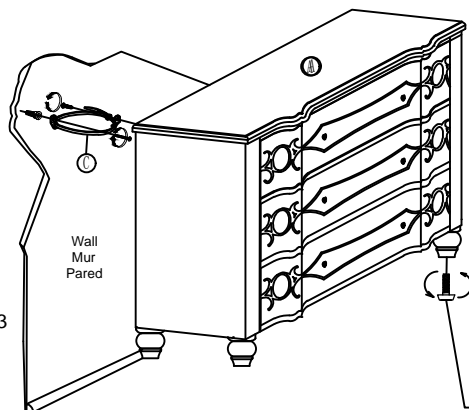
Step 1
Étape 1
Paso 1



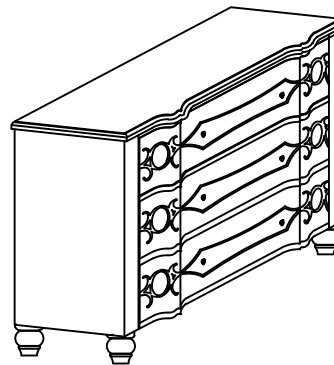
Step 2
Étape 2
Paso 2



Step 3
Étape 3
Paso 3



Adjustable leveler (4pcs)
Patin réglable (x 4)
Nivelador ajustable (4 pzas)



* Replaceable Part