

AXOR Universal Accessories

Towel Bar/Rail 32"

Finishes : **brushed nickel** Part no. : **42833820**



Description

Features

- Serves as a towel bar and rail for additional accessories (requires # 42870XXX Modular Adaptor Set)
- Metal
- Wall-mounted

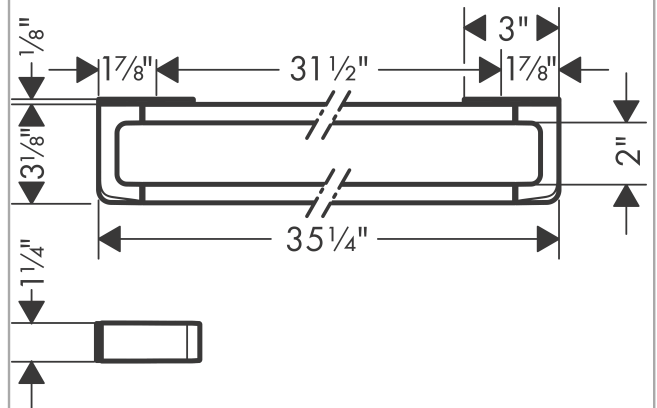
Design awards



Product image



Scale drawing



AXOR Universal Accessories

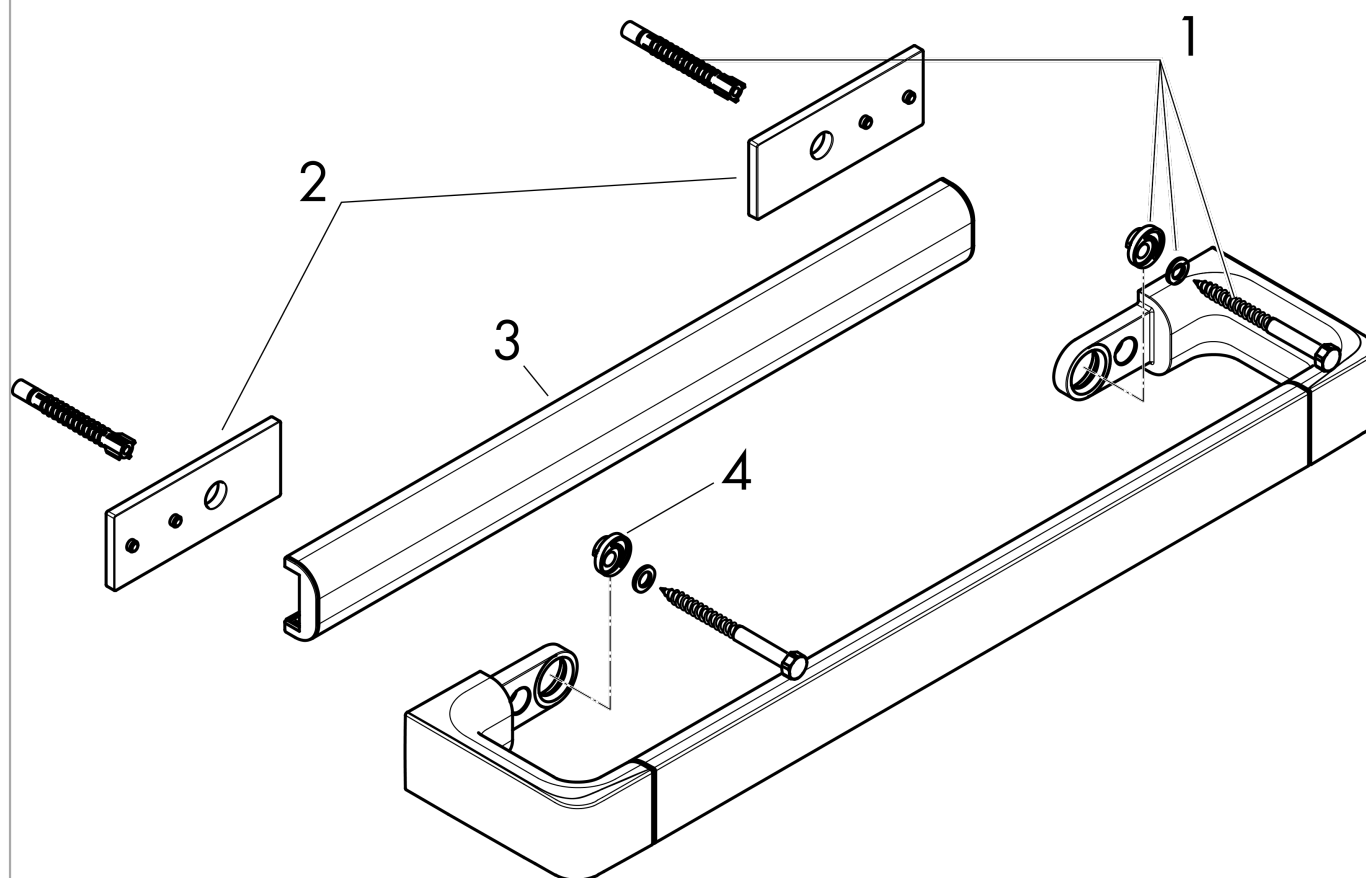
Towel Bar/Rail 32"

Finishes : brushed nickel Part no. : 42833820



Exploded drawing

Year of production: >02/16



AXOR Universal Accessories

Towel Bar/Rail 32"

Finishes : **brushed nickel** Part no. : **42833820**



Spare parts list

Year of production: >02/16

Pos.	Description	Part no.	PC	PU
1	mounting set	92841000	0	1
2	tile-matching-disk	92406820	0	1
3	cover	92435820	0	1
4	excentric socket	97604000	0	1
a	set of covers	42871820	0	1
b	set of adapters	42870000	0	1
c	mounting kit for two-sided glass montage	42841000	0	1