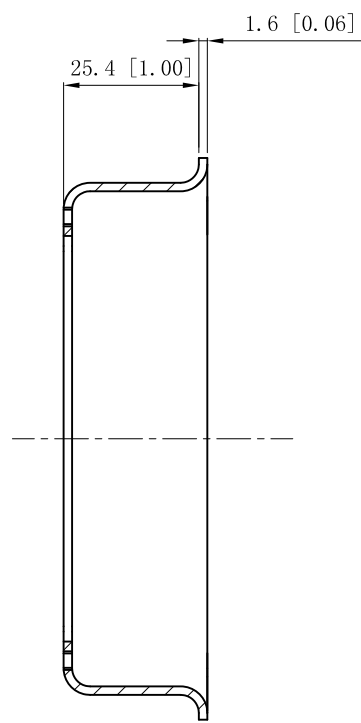
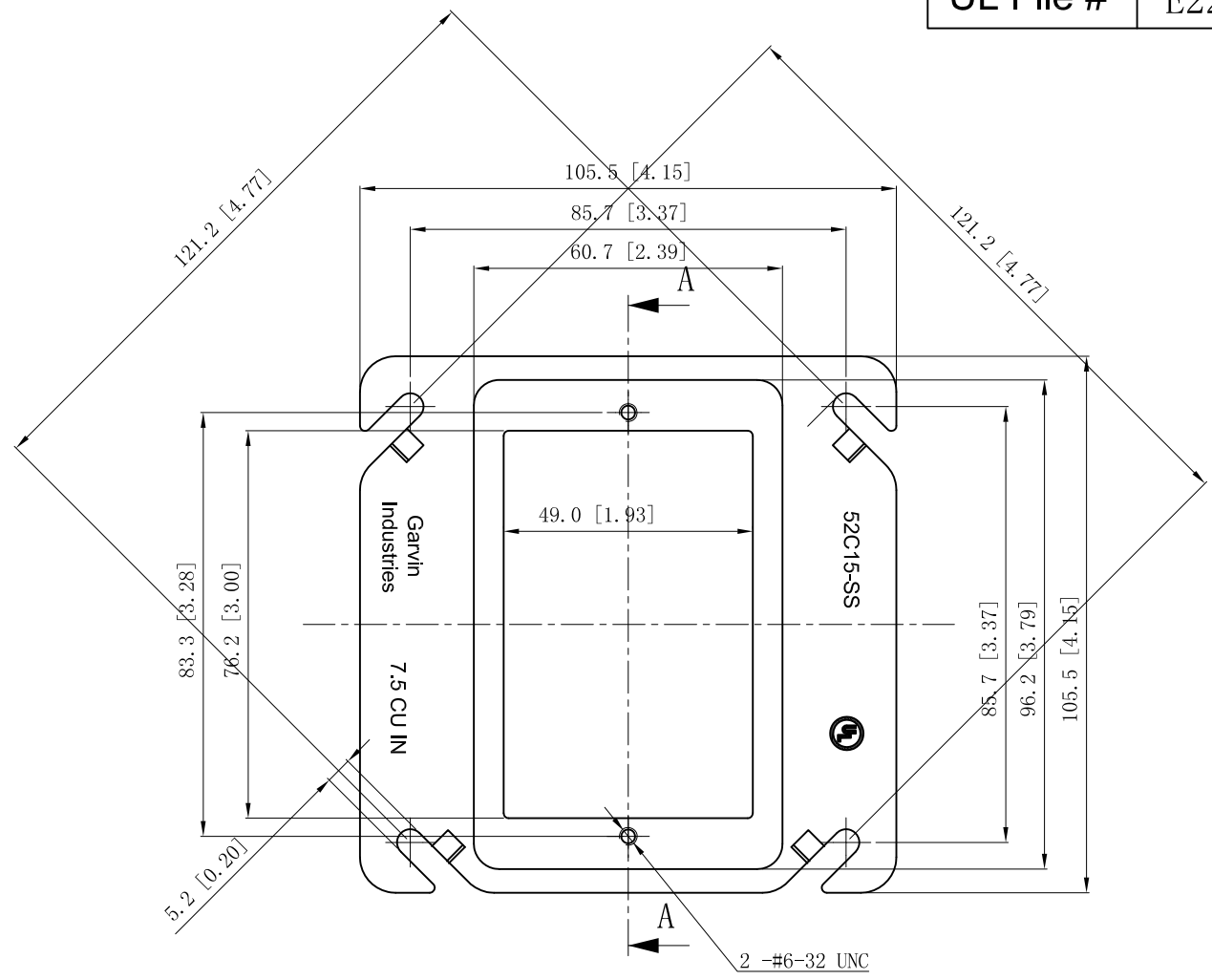


SIDES	BOTTOM
Material: 0.051~0.059- stainless steel 316	



CUTAWAY VIEW A-A



This data sheet is for reference only .GARVIN INDUSTRIES reserves the right to make changes to the design without prior notice.

DESCRIPTION
TRADE REFERENCE TERMS

STANDARD PACKING
25 PCS

<b>GARVIN INDUSTRIES</b>		
4" SQURE ONE-DEVICE TILE COVERS		
SIZE A4	DWG NO. 52C15-SS	REV A
DATA SHEET		
www.garvinindustries.com		