

# WAC LIGHTING

## Lotos 4" & 6" Round

Adjustable Downlight 5CCT

Fixture Type: \_\_\_\_\_  
 Catalog Number: \_\_\_\_\_  
 Project: \_\_\_\_\_  
 Location: \_\_\_\_\_

Model	Beam	Color Temp & CRI	Lumens	CBCP	Finish
R4ERAR	W 45°	9CS 2700K/3000K/3500K/4000K/5000K - 90	690 800	925 1020	BK Black WT White

Example: **R4ERAR-W9CS-WT**

For custom requests please contact [customs@wacighting.com](mailto:customs@wacighting.com)

### DESCRIPTION

The wafer-thin Lotos LED Recessed Kit with remote driver combines high quality light output and efficiency while eliminating the need for a large housing. This innovative design can be installed easily as a remodel or new construction with an optional frame-in kit sold separately. Lotos is available in a downlight version for general ambient lighting and an adjustable version with a gimbal that pivots 360 degrees on a hinge. Now available with 5-CCT options.

### FEATURES

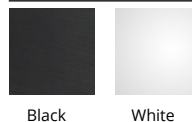
- 5-CCT Switchable between 2700K and 5000K
- Multiple LED array for uniform illumination
- Rotatable multi-axis gimbal ring
- Driver included
- 5 year warranty

### SPECIFICATIONS

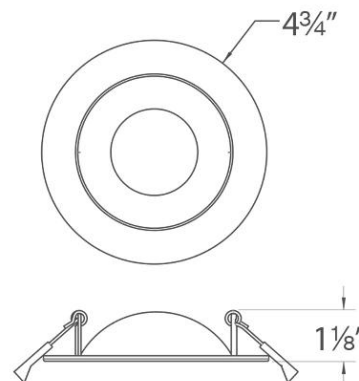
Color Temp:	2700K/3000K/3500K/4000K/5000K
Input:	120 -277 VAC,50/60Hz
CRI:	90
Dimming:	ELV: 100-5% ,TRIAC: 100-5%
Rated Life:	50000 Hours
Mounting:	Heavy gauge retention clips secures fixture to ceiling
Standards:	ETL, cETL, Title 24 JA8 Compliant, Energy Star 2.0 Wet Location Listed
Construction:	Steel with frosted TIR lens



### FINISHES:



### LINE DRAWING:



R4ERAR

# WAC LIGHTING

## Lotos 4" & 6"

### Round

#### Adjustable Downlight 5CCT

Fixture Type: \_\_\_\_\_  
 Catalog Number: \_\_\_\_\_  
 Project: \_\_\_\_\_  
 Location: \_\_\_\_\_

Model	Beam	Color Temp & CRI	Lumens	CBCP	Finish
R6ERAR	W 45°	9CS 2700K/3000K/3500K/4000K/5000K - 90	1290 1340	1920 1896	BK Black WT White

Example: **R6ERAR-W9CS-WT**

For custom requests please contact [customs@wacighting.com](mailto:customs@wacighting.com)

#### DESCRIPTION

The wafer-thin Lotos LED Recessed Kit with remote driver combines high quality light output and efficiency while eliminating the need for a large housing. This innovative design can be installed easily as a remodel or new construction with an optional frame-in kit sold separately. Lotos is available in a downlight version for general ambient lighting and an adjustable version with a gimbal that pivots 360 degrees on a hinge. Now available with 5-CCT options.

#### FEATURES

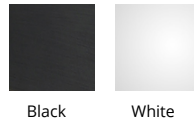
- 5-CCT Switchable between 2700K and 5000K
- Multiple LED array for uniform illumination
- Rotatable multi-axis gimbal ring
- Driver included
- 5 year warranty

#### SPECIFICATIONS

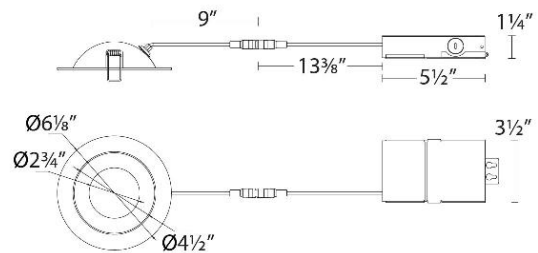
Color Temp:	2700K/3000K/3500K/4000K/5000K
Input:	120 -277 VAC,50/60Hz
CRI:	90
Dimming:	ELV: 100-5% ,TRIAC: 100-5%
Rated Life:	50000 Hours
Mounting:	Heavy gauge retention clips secures fixture to ceiling
Standards:	ETL, cETL, Title 24 JA8 Compliant, Energy Star 2.0 Wet Location Listed
Construction:	Steel with frosted TIR lens



#### FINISHES:



#### LINE DRAWING:



R6ERAR-W930-WT