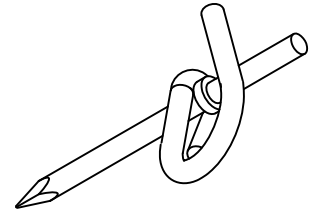
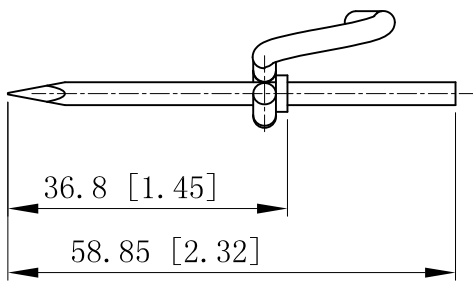
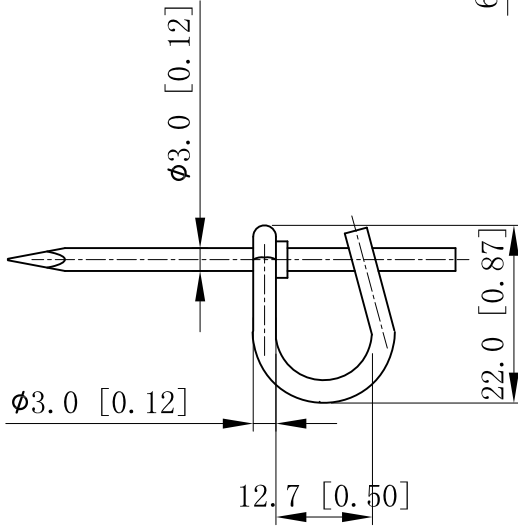
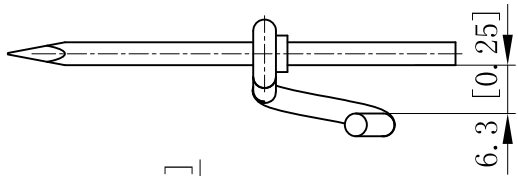
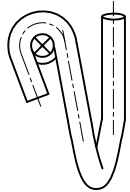


SIDES	BOTTOM
U Clip-Material:Steel-0.12-(C1008-C1018) ,Mechanical galvanize	
Nail-Material:Steel-0.12-(C1008-C1022) ,Mechanical galvanize	



This data sheet is for reference only .GARVIN INDUSTRIES reserves the right to make changes to the design without prior notice.

DESCRIPTION
TRADE REFERENCE TERMS

STANDARD PACKING
50 PCS

GARVIN INDUSTRIES			
TITLE DRIVE RINGS			
SIZE A4	DWG NO. DRV-1/2	REV D	
DATA SHEET			
www.garvinindustries.com			