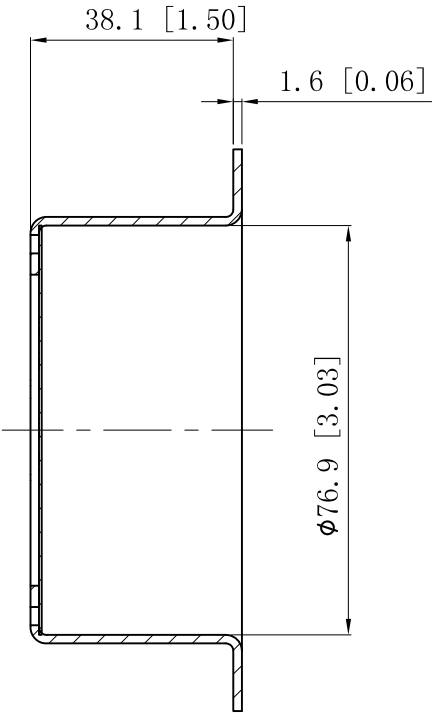
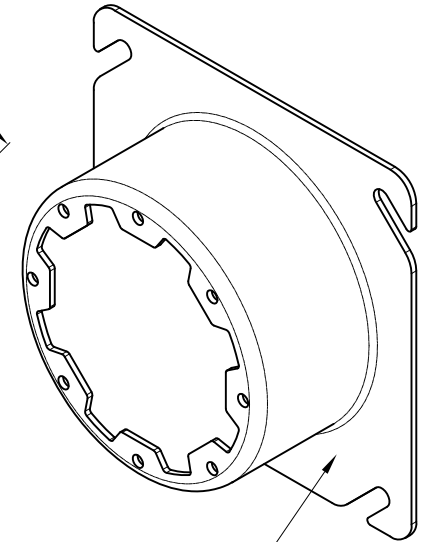
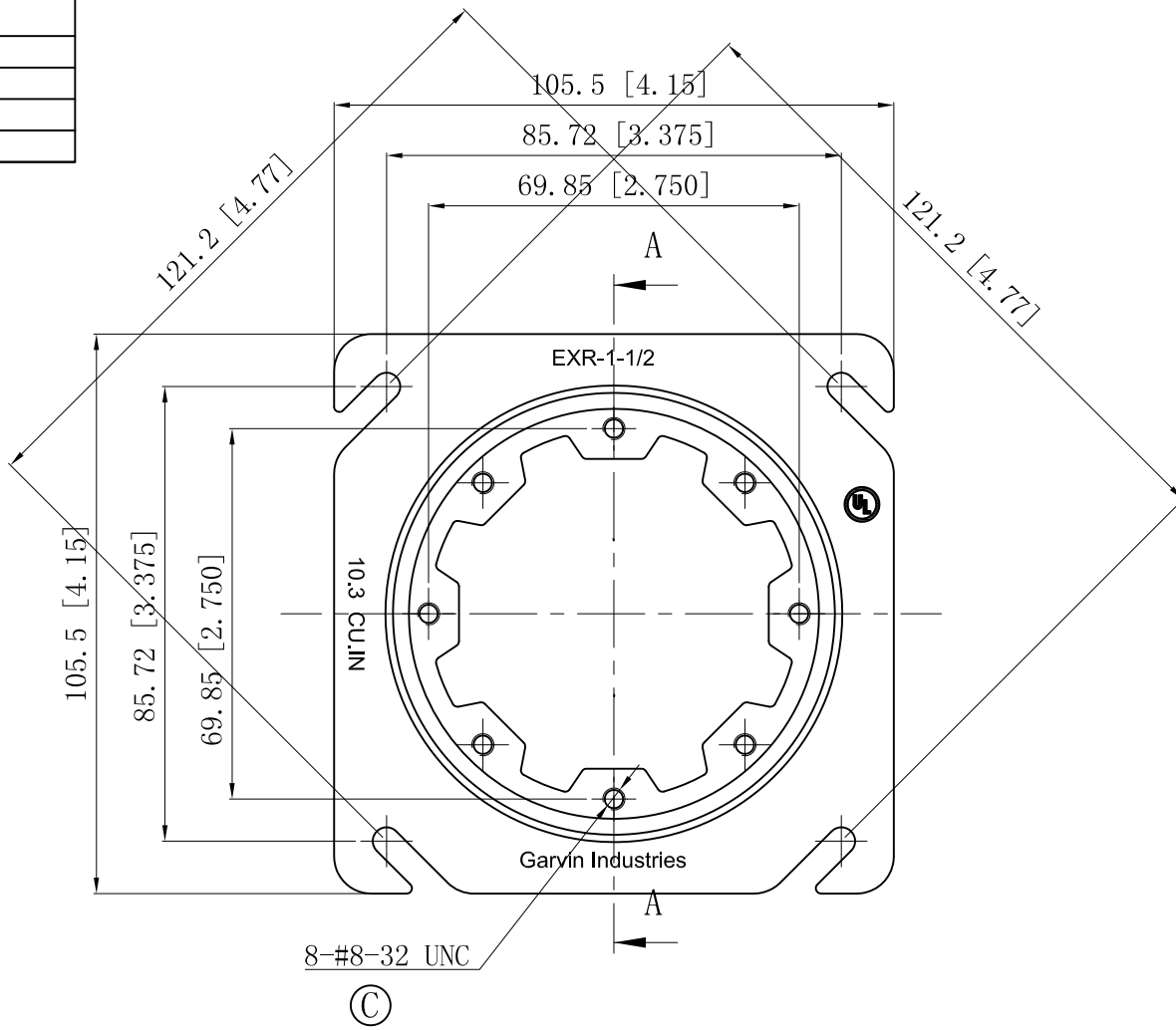


SIDES	BOTTOM
Material: Steel-0.0625"-(G60) Galvanized	



CUTAWAY VIEW A-A



EXR-1-1/2-10

DESCRIPTION
TRADE REFERENCE TERMS

This data sheet is for reference only .GARVIN INDUSTRIES reserves the right to make changes to the design without prior notice.

STANDARD PACKING	<h1 style="text-align: center;">GARVIN INDUSTRIES</h1>		
25 PCS			
	SIZE	DWG NO.	REV
	A4	EXR-1-1/2	D
		DATA SHEET	