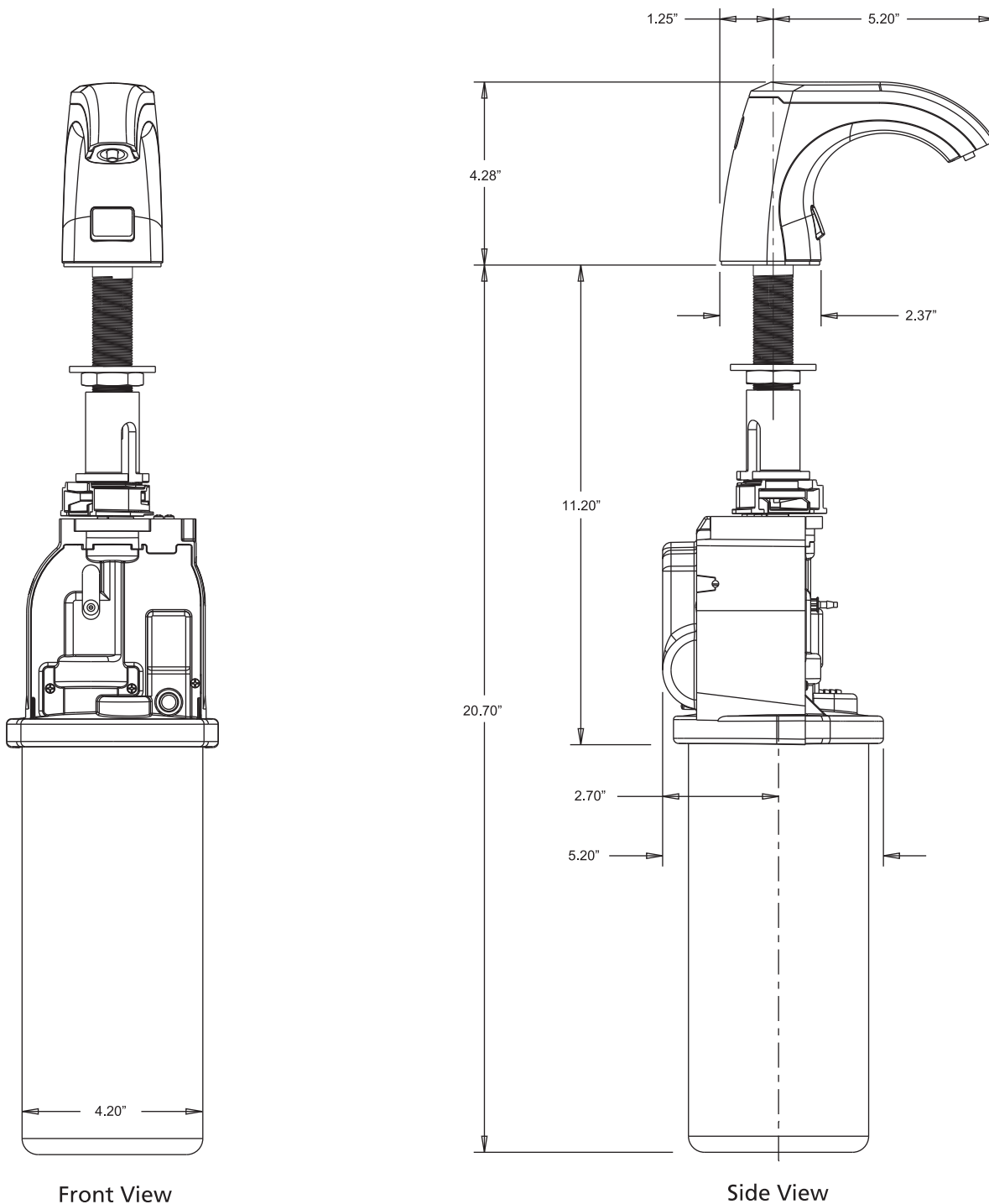


PURELL CXR REDIFOAM™ DISPENSING FIXTURE - 2000mL DIMENSIONS

8640-01

Use the dimensions provided to ensure proper fit and placement of your counter mount dispensing fixture and energy options.



GOJO Industries, Inc.
One GOJO Plaza, Suite 500
P.O. Box 991 • Akron, OH 44309-0991
Tel: 1-330-255-6000, • Toll-free: 1-800-321-9647
Fax: 1-800-FAX-GOJO

©2018. GOJO Industries, Inc. All rights reserved.

#26386